



7.0 cu. ft. Gas Dryer

WGD4850H



White
WGD4850HW

Capacity

Total 7.0 cu. ft.

General Features & Properties

Timed Dry

3 Drying Temperatures

7.0 Cu. Ft. Capacity

Designed, Engineered and Assembled in the U.S.A.

Electrical Details

Hz 60

Amps 15 or 20

Volts 120

Technical Details

Drum Material Powder Coat

Fuel Type Gas

Door Style Hamper

Reversible Door No

Number of Dryer Cycles 12

Selection of Drying Cycles
Energy Preferred
Fluff Air 10
Fluff Air 20
Fluff Air 30
Heavy Duty
Less Dry
More Dry
Timed Dry 20
Timed Dry 40
Timed Dry 50
Timed Dry 60
Timed Dry 70

Dryer Option Selections
Damp Dry
Signal
Freshen Up
Wrinkle Shield™

Dimensions

Product Dimensions (H x W x D) 42-13/16" x 29" x 28-3/8"

Depth with Door Open 90° 41-11/16"

Maximum Vent Length 64'

Venting Direction Rear Only

Ventless No

Reference Material

[Dimension Guide](#)

[Install Guide](#)

[Use & Care Guide](#)

[Warranty](#)

Key Features & Benefits

AutoDry™ Drying System

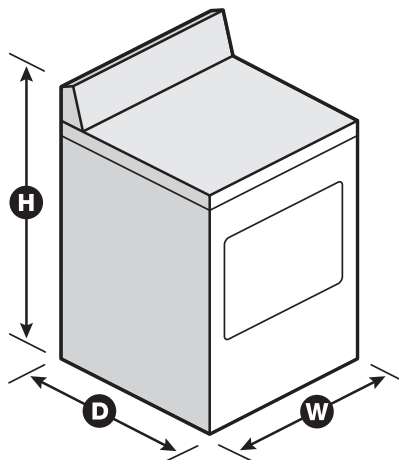
Help prevent overdrying with the AutoDry™ drying system that senses when clothes have reached the right moisture content and stops the cycle.

Wrinkle Shield™ Option

Helps keep wrinkles from setting into your clean clothes with intermittent tumbling after the dryer cycle ends

Hamper Door

Easily transfer loads from the washer to the dryer and from the dryer to the laundry basket without worrying about clean clothes falling on the floor with this wide-opening door.



NOTE: Dimensions are for planning purposes only. For complete details, see Installation Instructions packed with product. Specifications subject to change without notice.

®/™ © 2020. All rights reserved. Printed in the U.S.A. D200104XXD. WGD4850HSpecSheetV01.