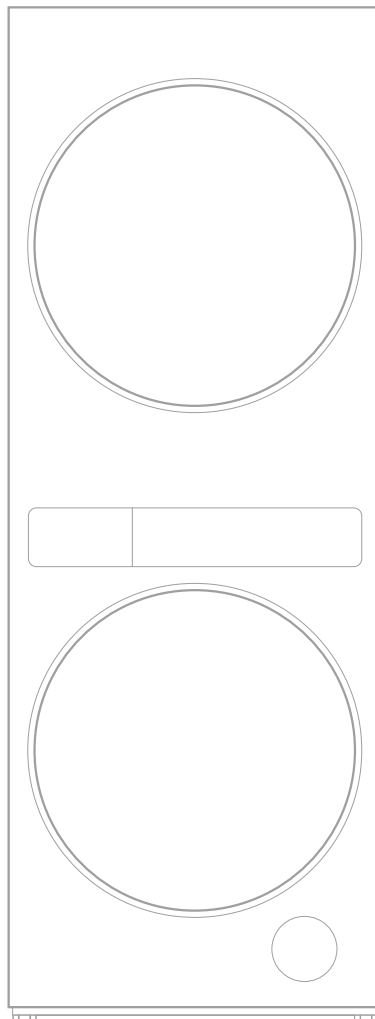




Dimension-Guide Guide des dimensions



Location Requirements

WARNING

Explosion Hazard

Keep flammable materials and vapors, such as gasoline, away from dryer.

Do not dry anything that has ever had anything flammable on it (ever after washing).

Do not install in a garage.

Failure to do so can result in death, explosion, or fire.

IMPORTANT: Do not install, store, or operate appliance where it will be exposed to weather or in temperatures below 32°F (0°C). Water remaining in appliance after use may cause damage in low temperatures. See "Care and Maintenance" for winterizing information.

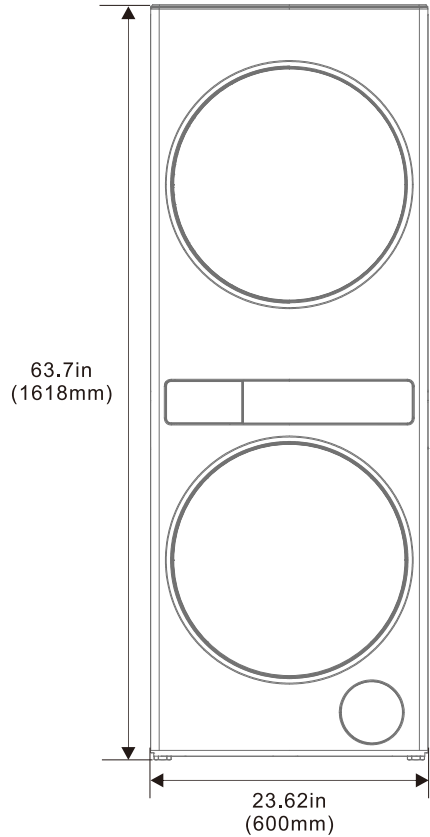
Select proper location for your appliance to improve performance and minimize noise and possible "appliance walk." Install your appliance in a basement, laundry room, closet or recessed area. Proper installation is your responsibility.

You will need:

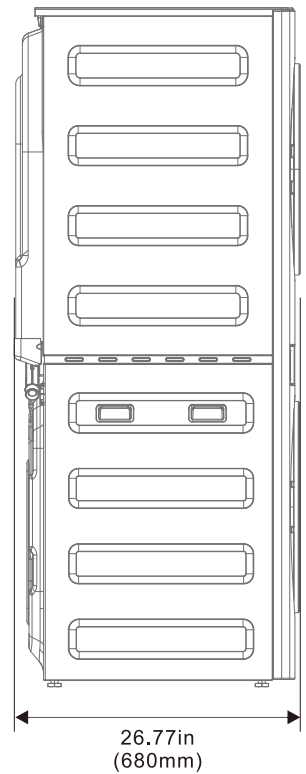
- A separate 30 A circuit.
- A water heater set to 120°F (49°C).
- If using a power supply cord, a grounded outlet located within 2 ft. (610mm) of either side of tower. See "Electrical Requirements."
- Hot and cold water faucets located within 4 feet (1.2 m) of hot and cold water fill valves on appliance, and water pressure of 20-100 psi (137.9-689.6 kPa).
- A level floor with maximum slope of 1" (25 mm) under entire appliance. Installing on carpet or surfaces with foam backing is not recommended.
- Floor must support washer's total weight (with water and load) of 409 pounds (186 kg).
- The Tower must not be installed or stored in an area where it will be exposed to water and / or weather.

All dimensions show minimum spacing allowed. For each arrangement, consider allowing more space for ease of installation and servicing, and spacing for companion appliances and clearances for walls, doors, and floor moldings. Space must be large enough to allow door to fully open. Add spacing of 1" (25 mm) on all sides of washer to reduce noise transfer. Doors must be louvered or equivalent and have at least 24 in 2 (155 cm²) bottom and 48 in 2 (310 cm²) top open area.

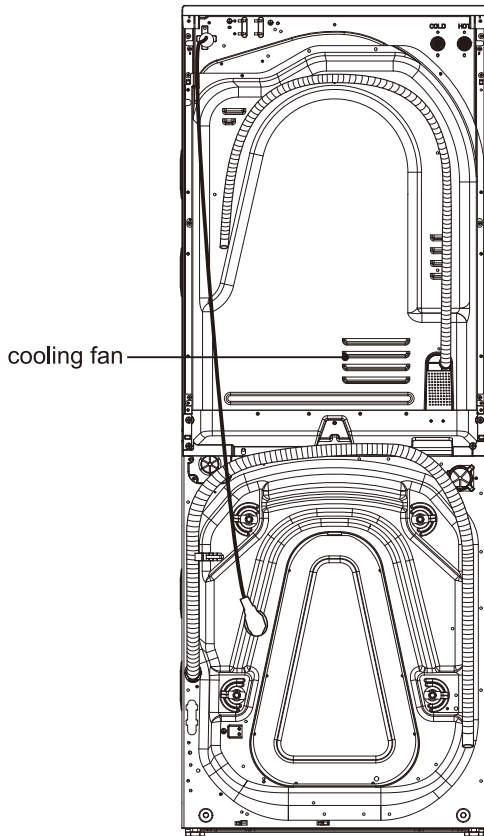
Tower Dimensions



Side view:



Back view:



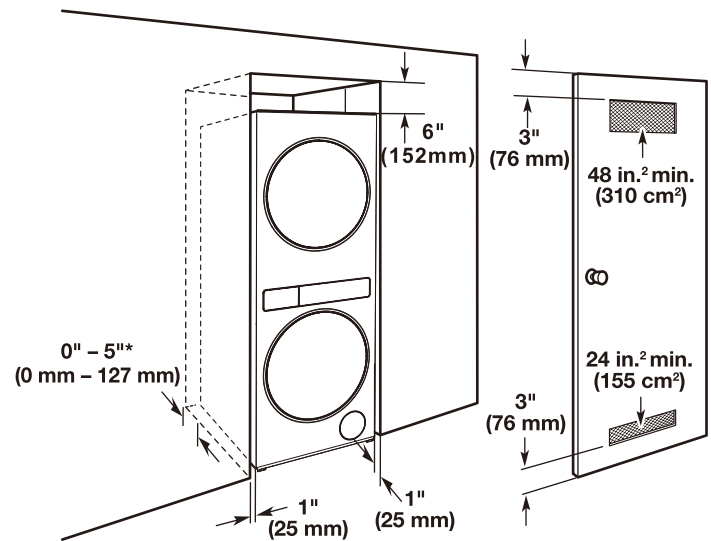
IMPORTANT: Do not block cooling fan, as your appliance may not operate properly.

Installation spacing for recessed area or closet installation:

All dimensions show recommended and minimum spacing allowed.

- Additional spacing should be considered for ease of installation and servicing.
- Additional clearances might be required for wall, door, floor, moldings, and drain system.
- Additional spacing should be considered on all sides of the appliance to reduce noise transfer.
- For closet installation, with a door, minimum ventilation openings in the top and bottom of the door are required. Louvered doors with equivalent ventilation openings are acceptable.
- Companion appliance spacing should also be considered.

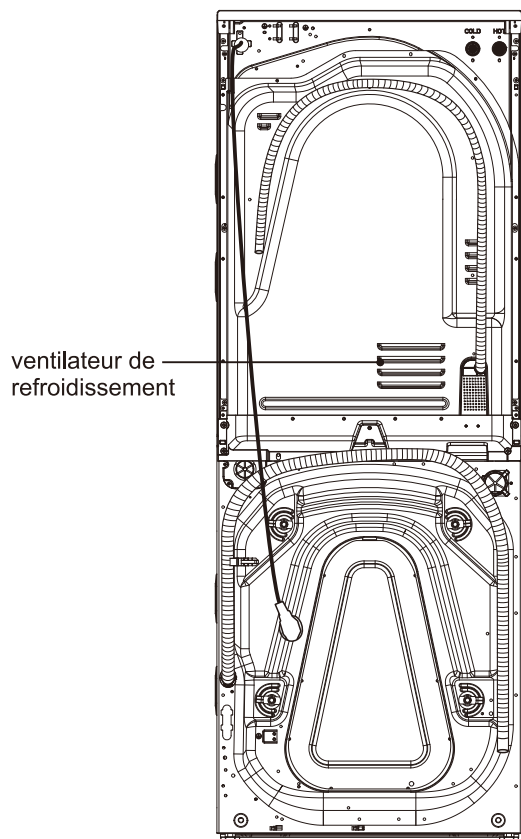
Recommended installation clearances (appliance only):



Mobile home – Additional installation requirements:

This tower is suitable for mobile home installations. The installation must conform to the Manufactured Home Construction and Safety Standard, Title 24 CFR, Part 3280 (formerly the Federal Standard for Mobile home construction and Safety, Title 24, HUD Part 280) or Standard CAN/CSA-Z240 MH.

Vue arrière :



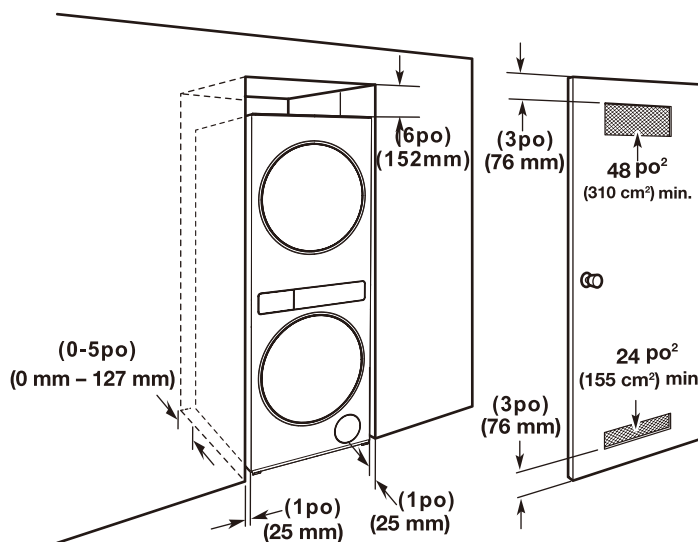
IMPORTANT : Ne pas obstruer le ventilateur de refroidissement, sous peine de dysfonctionnement de l'appareil.

Espacement de l'installation en niche ou placard :

Toutes les dimensions indiquent les espacements recommandés et minimaux requis.

- Un dégagement supplémentaire doit être envisagé pour faciliter l'installation et l'entretien.
- Des dégagements additionnels peuvent être nécessaires pour les murs, les portes, le sol, les plinthes et le système d'évacuation.
- Un espace supplémentaire doit être prévu sur tous les côtés de l'appareil afin de réduire la transmission du bruit.
- Pour une installation dans un placard avec porte, des ouvertures de ventilation minimales sont requises en haut et en bas de la porte. Les portes à persiennes avec des ouvertures de ventilation équivalentes sont acceptables.
- L'espacement avec un appareil proche doit également être pris en compte.

Dégagements recommandés pour l'installation (appareil seul) :



Maison mobile – Exigences d'installation additionnelles :

Cette tour est adaptée aux installations en maisons mobiles. L'installation doit être conforme à la norme sur la construction et la sécurité des maisons préfabriquées (Manufactured Home Construction and Safety Standards), Titre 24 CFR, Partie 3280 (anciennement Norme fédérale pour la construction et la sécurité des maisons mobiles, Titre 24, HUD Partie 280) ou à la norme CAN/CSA-Z240 MH.