

Min. - Max. CFM	INTERNAL BLOWER STANDARD	INTERNAL BLOWER with ACT™ AIRFLOW CONTROL TECHNOLOGY™*		
		200 - 700	200 - 590	200 - 390
Min. - Max. Sones	0.8 - 6	*AIRFLOW CONTROL TECHNOLOGY™ (ACT™) is an exclusive feature built into specific Zephyr hoods which can limit the maximum blower CFM to meet local code requirements.		

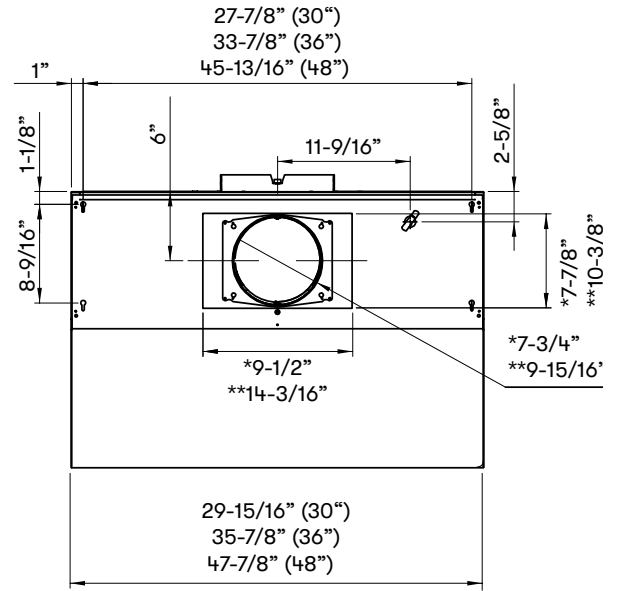


shown with optional 12" duct cover

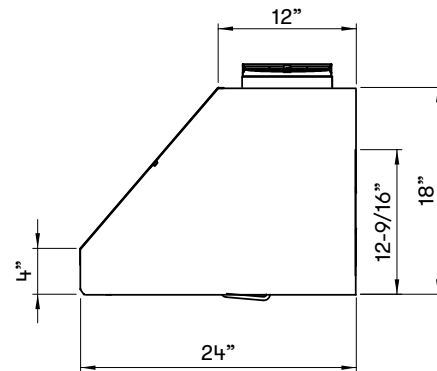


ACT™

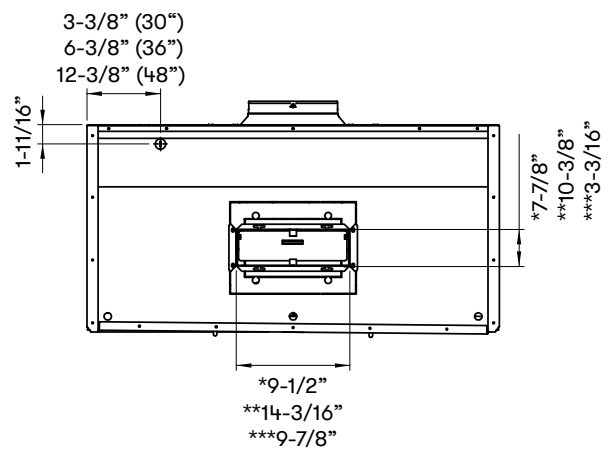
POWERWAVE™



TOP



SIDE



BACK

- * 8" round ducting
- ** 10" round ducting
- *** Rectangular ducting

MODEL	AK7400AS	AK7436AS	AK7448AS
Stainless Steel Size	30"	36"	48"
BLOWER PERFORMANCE			
Blower CFM (Min. - Max.)	200 - 700	200 - 700	200 - 700
Sones (Min. - Max.)	0.8 - 6	0.8 - 6	0.8 - 6
ACT 590 CFM (Min. - Max.)	200 - 590	200 - 590	200 - 590
ACT 390 CFM (Min. - Max.)	200 - 390	200 - 390	200 - 390
ACT 290 CFM (Min. - Max.)	200 - 290	200 - 290	200 - 290
Optional Dual Blower (Min. - Max.)	300 - 1,300	300 - 1,300	300 - 1,300
FEATURES			
Zephyr Connect App Compatible	Yes	Yes	Yes
Alexa & Google Home Compatible	Yes	Yes	Yes
ACT™ Technology	590, 390, 290, Single Blower Only	590, 390, 290, Single Blower Only	590, 390, 290, Single Blower Only
Controls	Proximity Touch	Proximity Touch	Proximity Touch
Speed Levels	6*	6*	6*
Auto Delay-Off	Yes	Yes	Yes
CleanAir Function	Yes	Yes	Yes
Lighting	LumiLight LED, 6W x2	LumiLight LED, 6W x2	LumiLight LED, 6W x4
Tri-Level Lighting	Yes	Yes	Yes
Filters	Pro Baffle x2	Pro Baffle x2	Pro Baffle x3
Recirculating Option**	Yes	Yes	Yes
ADA Compliant	Yes, with Zephyr Connect or Remote	Yes, with Zephyr Connect or Remote	Yes, with Zephyr Connect or Remote
DUCT SPECIFICATIONS			
Vertical Single Internal Blower	8" Round	8" Round	8" Round
Horizontal Single Internal Blower	3-1/4" x 10" or 8" Round	3-1/4" x 10" or 8" Round	3-1/4" x 10" or 8" Round
Vertical Dual Internal Blower	10" Round	10" Round	10" Round
Horizontal Dual Internal Blower	10" Round	10" Round	10" Round
AC POWER (Single Blower)	120V, 60Hz at Max. 5A	120V, 60Hz at Max. 5A	120V, 60Hz at Max. 5A
AC POWER (Dual Blower)	120V, 60Hz at Max. 9A	120V, 60Hz at Max. 9A	120V, 60Hz at Max. 9A
OPTIONAL ACCESSORIES			
12" Duct Cover	AK0720	AK0726	AK0728
24" Duct Cover	AK1720	AK1726	AK1728
Wireless Remote Control	14000005	14000005	14000005
Dual Internal Blower	PBD-1300B	PBD-1300B	PBD-1300B
Recirculating Kit	ZRC-7000C	ZRC-7036C	ZRC-7048C
Stainless Steel Telescopic Backsplash	AK1710	AK1716	AK1718
Make-Up Air Kit (Single Blower)	MUA008A	MUA008A	MUA008A
Make-Up Air Kit (Dual Blower)	MUA010A	MUA010A	MUA010A
MOUNTING HEIGHT RANGE***	24" - 36"	24" - 36"	24" - 36"
WARRANTY	3 years parts, 1 year labor	3 years parts, 1 year labor	3 years parts, 1 year labor

*When ACT™ is enabled the maximum speed levels will change. ACT 590 CFM = 5 speeds, ACT 390 CFM = 4 speeds and ACT 290 CFM = 3 speeds.

**Recirculating kit includes a return-air box which adds an additional 4" to the hood height. Recirculating kit is only compatible with single blower.

***Mounting height refers to distance between top of a 36" tall cooking surface and bottom of hood.



Zephyr Connect App

Zephyr Connect App allows you to control your range hood from anywhere using your mobile device. It includes real time diagnostics and provides important product information. All you need is a WiFi connection with access to the internet. It seamlessly integrates with your smart devices such as Amazon Alexa or Google Home smart speaker for voice activation. Available to download from Google Play or the App Store.



Airflow Control Technology™ (ACT™)

is an exclusive feature built into specific Zephyr hoods which can limit the maximum blower CFM to meet local code requirements.

PowerWave™ 3-Phase Blower Technology

delivers best-in-class performance with unparalleled quiet operation. It provides more power while minimizing noise and improving efficiency.