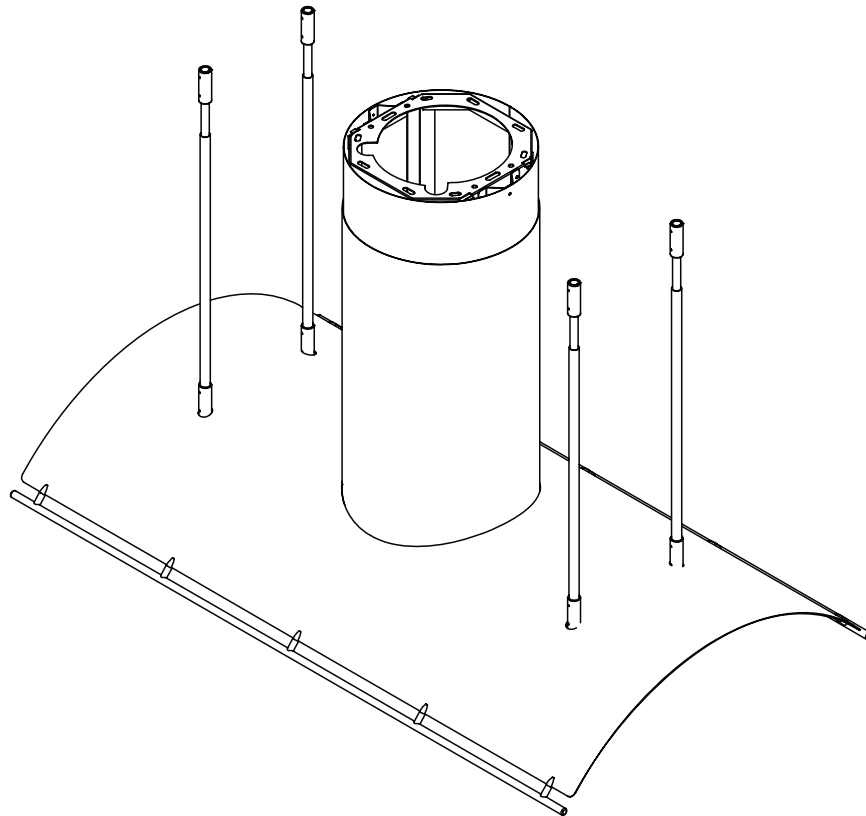


## Trapeze

CTP-E36CSX, CTP-E48CSX,  
CTP-E54CSX, CTP-E60CSX

EN Use, Care, and Installation Guide

FR Guide d'utilisation, d'entretien et d'installation





---

	Page
<b>Safety Information .....</b>	<b>4-6</b>
Types of Safety Warnings.....	4
General Safety .....	4-5
Operation .....	6
Electrical Requirements .....	6
Federal Communication Commission Interface Statement .....	6
<b>List of Materials.....</b>	<b>7</b>
<b>Installation Instructions.....</b>	<b>8-17</b>
Ducting Calculation Sheet.....	8
Mounting Height, Clearance, & Ducting .....	9
Ducting Options .....	10
Hood Specifications.....	11
Electrical Supply.....	12
Cable Lock .....	12
Internal Blower Preparation .....	13
Remote Blower Preparation.....	14
Mounting the Range Hood.....	15-16
Telescopic Rod & Utensil Rail Installation.....	17
<b>Features &amp; Controls.....</b>	<b>18-21</b>
Touch Controls .....	18-19
Optional RF Remote Control.....	20-21
<b>Maintenance .....</b>	<b>22-23</b>
Hood & Grease Filter Cleaning .....	22
Swivel LumiLight LED.....	23
<b>Wiring Diagram .....</b>	<b>24-25</b>
<b>Troubleshooting.....</b>	<b>26-27</b>
<b>List of Parts &amp; Accessories .....</b>	<b>28</b>
<b>Limited Warranty .....</b>	<b>29</b>
<b>Product Registration.....</b>	<b>30</b>

# Safety Information

## READ AND SAVE THESE INSTRUCTIONS

**Your safety and the safety of others are very important.** We have provided many important safety messages in this manual for your appliance. Always read and obey all safety messages.



This is the Safety Alert Symbol. This symbol alerts you to potential hazards that can cause severe bodily injury or death. All safety messages will follow the Safety Alert Symbol and either the words **“DANGER”**, **“WARNING”** or **“CAUTION”**



### General Safety



**WARNING - TO REDUCE THE RISK OF FIRE, ELECTRIC SHOCK, OR INJURY TO PERSONS, OBSERVE THE FOLLOWING:**

- Use this unit only in the manner intended by the manufacturer. If you have questions, contact the manufacturer.
- Before servicing or cleaning unit, switch power off at service panel and lock the service disconnecting means to prevent power from being switched on accidentally. When the service disconnecting means cannot be locked, securely fasten a prominent warning device, such as a tag, to the service panel.



**WARNING - TO REDUCE THE RISK OF A RANGE TOP GREASE FIRE:**

- Never leave surface units unattended at high settings. Boilovers cause smoking and greasy spillovers that may ignite. Heat oils slowly on low or medium settings.
- Always turn insert ON when cooking at high heat or when flambeing food. (i.e. Crepes Suzette, Cherries Jubilee, Peppercorn Beef Flambe’).
- Clean ventilating fans frequently. Grease should not be allowed to accumulate on fan or filter.
- Use proper pan size. Always use cookware appropriate for the size of the surface element.



## READ AND SAVE THESE INSTRUCTIONS



WARNING - TO REDUCE THE RISK OF INJURY TO PERSONS IN THE EVENT OF A RANGE TOP GREASE FIRE, OBSERVE THE FOLLOWING<sup>o</sup>:

- a) SMOTHER FLAMES with a close-fitting lid, cookie sheet, or metal tray, then turn off the burner. BE CAREFUL TO PREVENT BURNS. If the flames do not go out immediately, EVACUATE AND CALL THE FIRE DEPARTMENT.
- b) NEVER PICK UP A FLAMING PAN – You may be burned.
- c) DO NOT USE WATER, including wet dishcloths or towels – a violent steam explosion will result.
- d) Use an extinguisher ONLY if:
  - 1) You know you have a Class ABC extinguisher, and you already know how to operate it.
  - 2) The fire is small and contained in the area where it started.
  - 3) The fire department is being called.
  - 4) You can fight the fire with your back to an exit

<sup>o</sup>Based on “Kitchen Firesafety Tips” published by NFPA.



WARNING - TO REDUCE THE RISK OF FIRE, ELECTRIC SHOCK, OR INJURY TO PERSONS, OBSERVE THE FOLLOWING:

- a) Installation work and electrical wiring must be done by qualified person(s) in accordance with all applicable codes and standards, including fire-rated construction.
- b) Sufficient air is needed for proper combustion and exhausting of gases through the flue (chimney) of fuel burning equipment to prevent back drafting. Follow the heating equipment manufacturer’s guideline and safety standards such as those published by the National Fire Protection Association (NFPA), and the American Society for Heating, Refrigeration and Air Conditioning Engineers (ASHRAE), and the local code authorities.
- c) When cutting or drilling into wall or ceiling, do not damage electrical wiring and other hidden utilities.
- d) Ducted fans must always be vented to the outdoors.
- e) If this unit is to be installed over a tub or shower, it must be marked as appropriate for the application and be connected to a GFCI (Ground Fault Circuit Interrupter) - protected branch circuit.



# Safety Information

## READ AND SAVE THESE INSTRUCTIONS

### Operation

- ▶ Always leave safety grilles and filters in place. Without these components, operating blowers could catch onto hair, fingers and loose clothing.
- ▶ The manufacturer declines all responsibility in the event of failure to observe the instructions given here for installation, maintenance and suitable use of the product. The manufacturer further declines all responsibility for injury due to negligence and the warranty of the unit automatically expires due to improper maintenance.

**NOTE:** Please check [www.zephyronline.com](http://www.zephyronline.com) for revisions before doing any custom work.

### Electrical Requirements

#### Important:

- ▶ Observe all governing codes and ordinances.
- ▶ It is the customer's responsibility to be aware of these below:
- ▶ To contact a qualified electrical installer.
- ▶ To assure that the electrical installation is adequate and in conformance with National Electrical Code, ANSI/NFPA 70 latest edition\* or CSA standards C22.1-94, Canadian Electrical Code, Part 1 and C22.2 No.0-M91 - latest edition\*\* and all local codes and ordinances.
- ▶ If codes permit and a separate ground wire is used, it is recommended that a qualified electrician determine that the ground path is adequate.
- ▶ Do not ground to a gas pipe.
- ▶ Check with a qualified electrician if you are not sure the insert is properly grounded.
- ▶ Do not have a fuse in the neutral or ground circuit.
- ▶ This appliance requires a 120V 60Hz electrical supply and connected to an individual properly grounded branch circuit protected by a 15 or 20 ampere circuit breaker or time delay fuse. Wiring must be 2 wire with ground. Please also refer to Electrical Diagram on product.
- ▶ A cable locking connector (not supplied) might also be required by local codes. Check with local requirements, purchase and install appropriate connector if necessary.

\* National Fire Protection Association Batterymarch Park, Quincy, Massachusetts 02269

\*\* CSA International 8501 East Pleasant Valley Road, Cleveland, Ohio 44131-5575

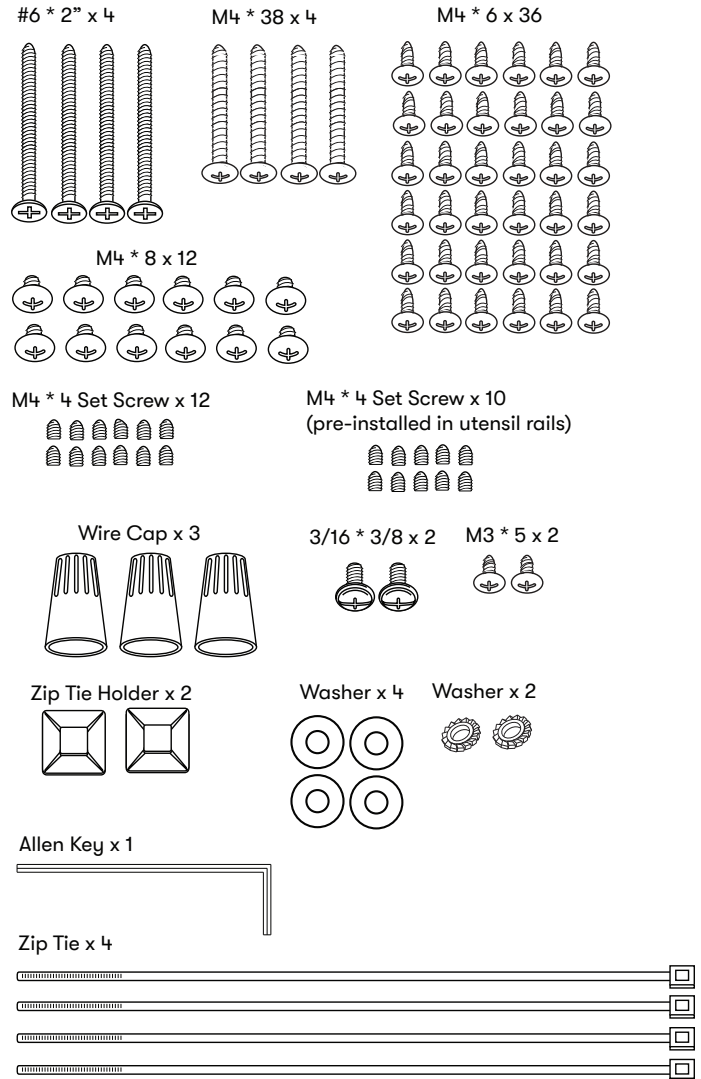
### Federal Communication Commission Interface Statement

- ▶ This equipment has been tested and found to comply with the limits for a Class B digital device, pursuant to Part 15 of the FCC Rules. These limits are designed to provide reasonable protection against harmful interference in a residential installation.
- ▶ This equipment generates, uses and can radiate radio frequency energy and, if not installed and used in accordance with the instructions, may cause harmful interference to radio communications. However, there is no guarantee that interference will not occur in a particular installation. If this equipment does cause harmful interference to radio or television reception, which can be determined by turning the equipment off and on, the user is encouraged to try to correct the interference by one of the following measures:
- ▶ Reorient or relocate the receiving antenna.
- ▶ Increase the separation between the equipment and receiver.
- ▶ Connect the equipment into an outlet on a circuit different from that to which the receiver is connected.
- ▶ Consult the dealer or an experienced radio/TV technician for help.

### Parts Supplied

Quantity	Part
1	Hood
2	Baffle filters
4	Swivel LumiLight LED, 6W (pre-installed) (48", 54", 60" models)
2	Swivel LumiLight LED, 6W (pre-installed) (36" model)
2	Telescopic duct covers
4	Telescopic support rod sets
4	Telescopic support rod couplers
1	Duct cover ceiling bracket
2	Utensil rails
4	Angle brackets (short)
4	Angle brackets (long)
1	8" round starting collar
1	AC power wiring box
1	Remote blower wire harness & wiring box
1	Motor housing w/ internal motor housing flange
1	Remote blower motor housing flange
1	Hardware package

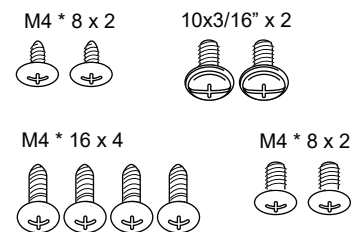
### Hardware Package



### Parts Not Supplied

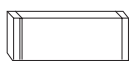

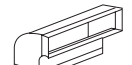






Ducting, conduit and all installation tools
Cable locking connector (if required by local codes)
Single internal blower (CBI-290C, CBI-600A)
External blower (CBE-1000)
In-line blower (PBN-1000A)
Duct cover extension (Z1C-00TP)

### Internal Blower Hardware Package







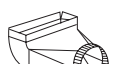




# Installation Instructions

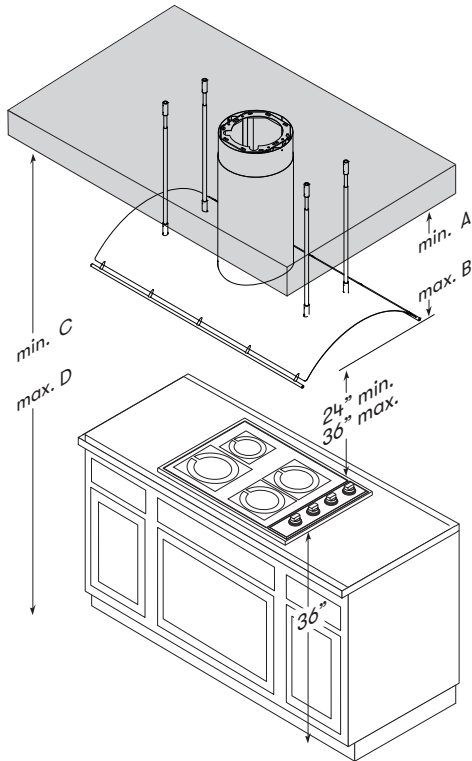
## Ducting Calculation Sheet

Duct pieces		Equivalent number length x used =	Total
	3-1/4" x 10" Rect., straight	1 Ft. x ( ) =	Ft.
	6", 7", 8", 10" Round, straight	1 Ft. x ( ) =	Ft.
	3-1/4" x 10" Rect. 90° elbow	15 Ft. x ( ) =	Ft.
	3-1/4" x 10" Rect. 45° elbow	9 Ft. x ( ) =	Ft.
	3-1/4" x 10" Rect. 90° flatelbow	24 Ft. x ( ) =	Ft.
	7" to 6" or 8" to 7" Round tapered reducer	25 Ft. x ( ) =	Ft.
	6", 7", 8" Round in-line damper	15 Ft. x ( ) =	Ft.
	6", 7", 8", 10" Round, 90° elbow	15 Ft. x ( ) =	Ft.
	6", 7", 8", 10" Round, 45° elbow	9 Ft. x ( ) =	Ft.
Subtotal column 1 =			Ft.

**Maximum Duct Length:** For satisfactory air movement, the total duct length should not exceed 150 equivalent feet.

Duct pieces		Equivalent number length x used =	Total
	3-1/4" x 10" Rect. to 6" round transition	5 Ft. x ( ) =	Ft.
	3-1/4" x 10" Rect. to 6" round transition 90° elbow	20 Ft. x ( ) =	Ft.
	6" round to 3-1/4" x 10" rect. transition	1 Ft. x ( ) =	Ft.
	6" round to 3-1/4" x 10" rect. transition 90° elbow	16 Ft. x ( ) =	Ft.
	7" round to 3 1/4" x 10" rect. transition	8 Ft. x ( ) =	Ft.
	7" round to 3-1/4" x 10" rect. transition 90° elbow	23 Ft. x ( ) =	Ft.
	3-1/4" x 10" Rect. wall cap with damper	30 Ft. x ( ) =	Ft.
	6", 7", 8", 10" Round, wall cap with damper	30 Ft. x ( ) =	Ft.
	6", 7", 8", 10" Round roof cap	30 Ft. x ( ) =	Ft.
Subtotal column 2 =			Ft.
Subtotal column 1 =			Ft.
Total ductwork =			Ft.

## Mounting Height, Clearance, & Ducting



A minimum of 6” round duct work must be used to maintain maximum air flow efficiency with the 290/600 CFM internal blower. A minimum of 8” to 10” round duct work must be used with the 1000 CFM remote blower.

Always use rigid type metal ducts only. Flexible ducts could restrict air flow by up to 50%.

Also use calculation (on page 8) to compute total available duct run when using elbows, transitions and caps.

ALWAYS, when possible, reduce the number or transitions and turns. If long duct run is required, increase duct size.

If turns or transitions are required; install as far away from insert duct output and as far apart, between the two as possible.

Minimum mount height between range top to insert bottom should be no less than 24”.

Maximum mount height should be no higher than 36”.

Hood Heights	Standard Duct Cover	Extension Duct Cover
minimum (A)	34”	47”
maximum (B)	51-1/2”	72”
Ceiling Heights		
minimum (C)	94” (7’ 10”)	107” (8’ 11”)
maximum (D)	123-1/2” (10’ 3-1/2”)	144” (12’)

It is important to install the insert at the proper mounting height. Inserts mounted too low could result in heat damage and fire hazard; while inserts mounted too high will be hard to reach and will lose its performance and efficiency.


If available, also refer range manufacturer’s height clearance requirements and recommended insert mounting height above range.

### For shipment and installation damages:


- ▶ Please fully inspect unit for damage before installation.
- ▶ If the unit is damaged in shipment, return the unit to the store in which it was bought for repair or replacement.
- ▶ If the unit is damaged by the customer, repair or replacement is the responsibility of the customer.
- ▶ If the unit is damaged by the installer (if other than the customer), repair or replacement must be made by arrangement between customer and installer.

# Installation Instructions

## Ducting Options

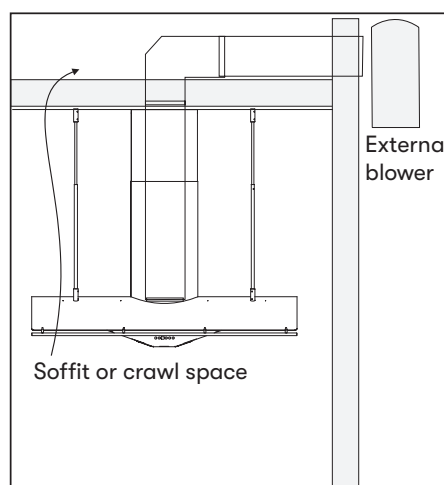
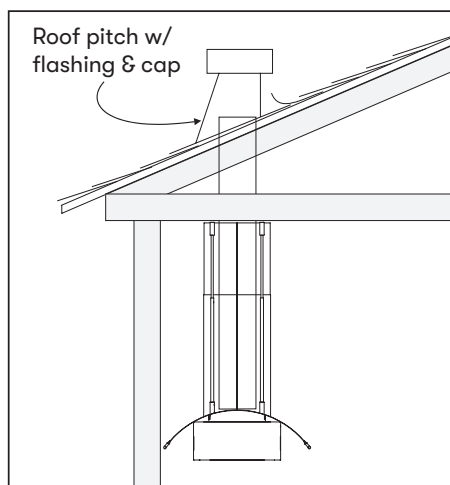
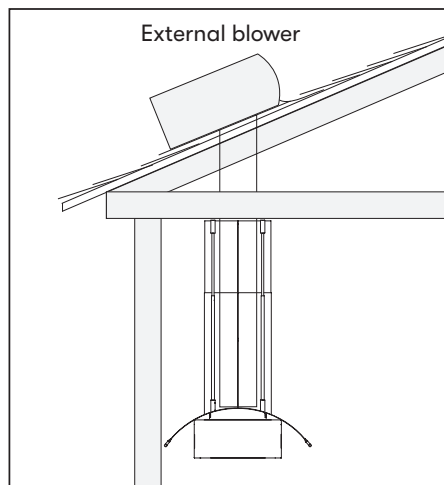
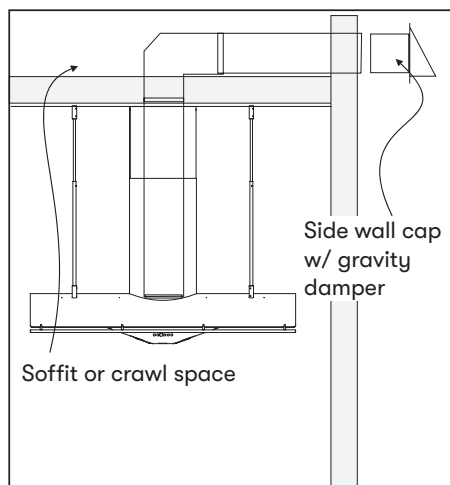


# WARNING



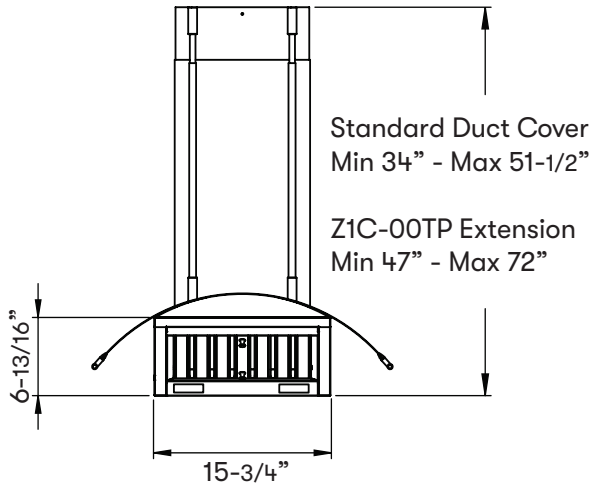
**Fire Hazard:** NEVER exhaust air or terminate ductwork into spaces between walls, crawl spaces, ceilings, attics, or garages. All exhaust must be ducted to the outside, unless using the recirculating option.

- ▶ Use single wall rigid metal ductwork only.
- ▶ Fasten all connections with sheet metal screws and tape all joints w/ certified Silver Tape or Duct Tape.

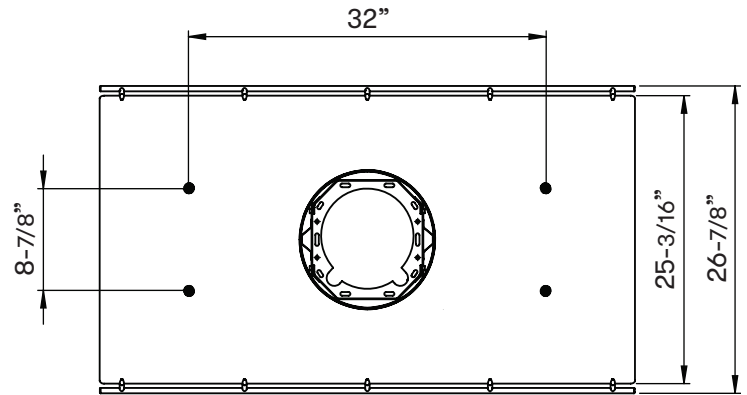


## Hood Specifications

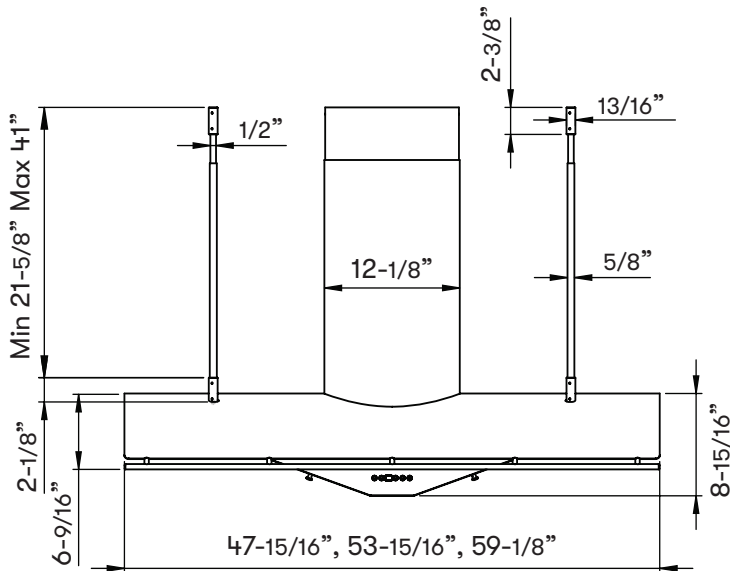
### Side View



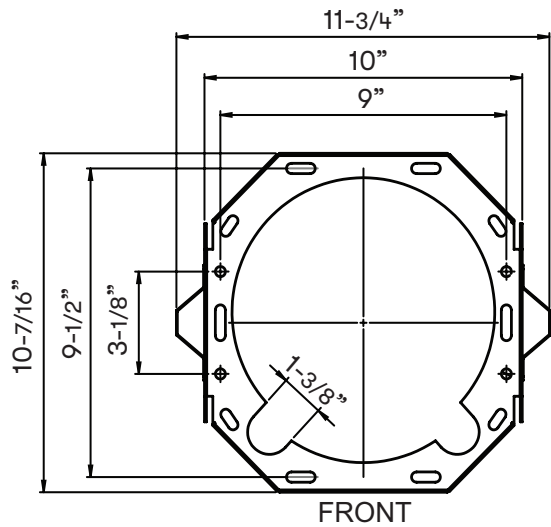
### Top View



### Front View

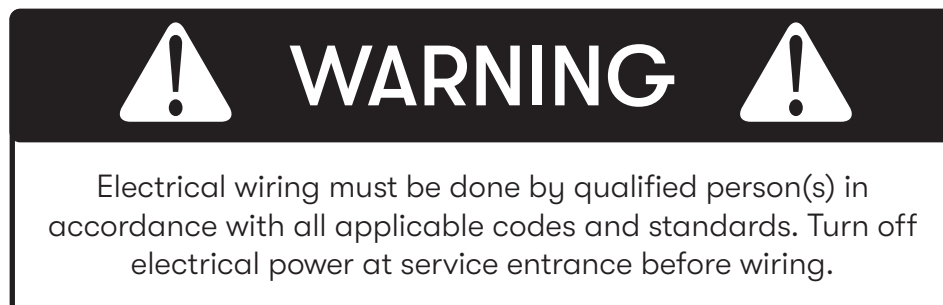


### Ceiling Bracket



# Installation Instructions

## Electrical Supply



For personal safety, remove house fuse or open circuit breaker before beginning installation. Do not use extension cord or adapter plug with this appliance.

**Follow national electrical codes or prevailing local codes and ordinances.**

This appliance requires a 120V 60Hz electrical supply, and connected to an individual, properly grounded branch circuit, protected by a 15 or 20 ampere circuit breaker or time delay fuse. Wiring must be 2 wire w/ ground. Please also refer to the Electrical Diagram labeled on product.

## Cable Lock

A cable locking connector (not supplied) might be required by local codes. Check with local requirements and codes, purchase and install appropriate connector if necessary. (FIG. A)

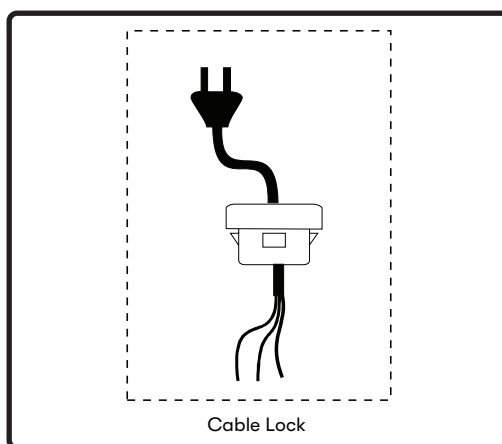
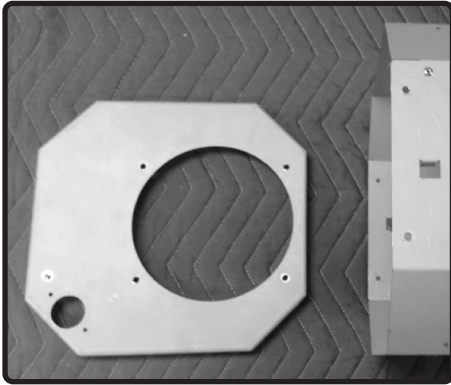


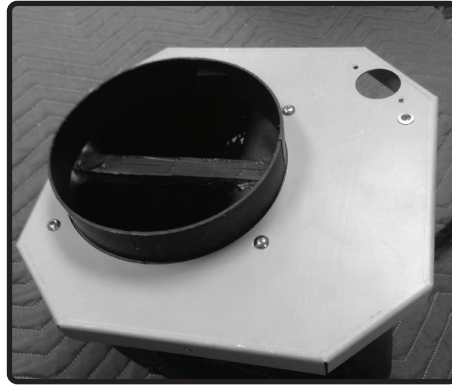
FIG. A



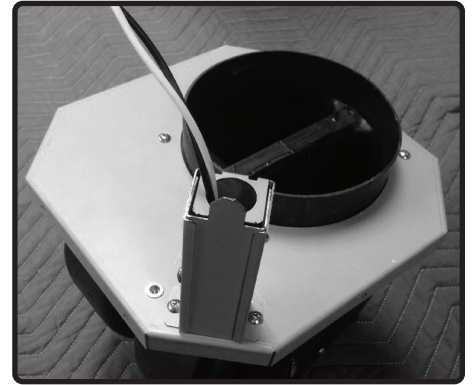
## Internal Blower Preparation



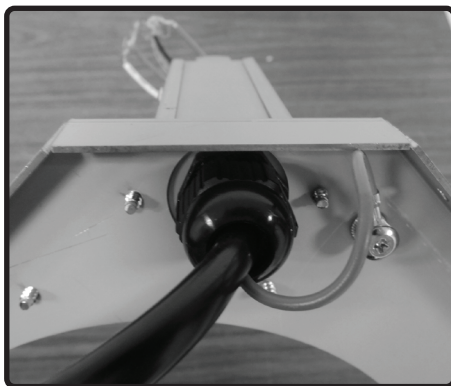
1. Remove internal blower flange from motor housing by (6) screws.



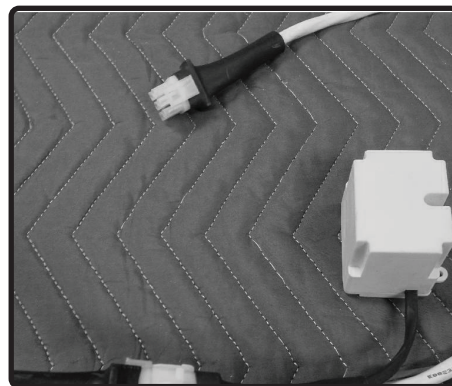
2. Secure internal blower to internal blower flange by (4) M4\*16 screws from internal blower hardware.



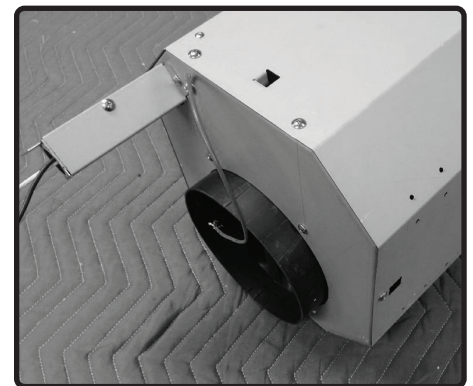
3. Secure AC power wiring box to internal blower flange by (2) M4\*8 screws.



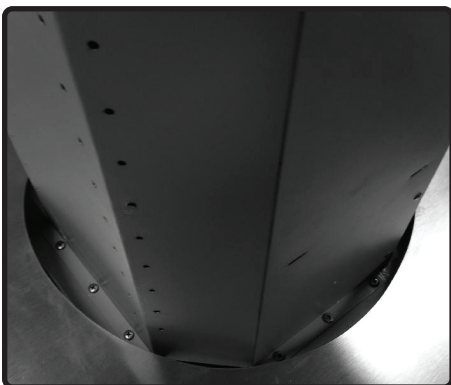
4. Secure ground wire to underside of internal blower flange by (1) 3/16\*3/8 screw and (1) washer.



5. Connect 9 pin molex connector from capacitor cable to 9 pin molex connector from internal blower.



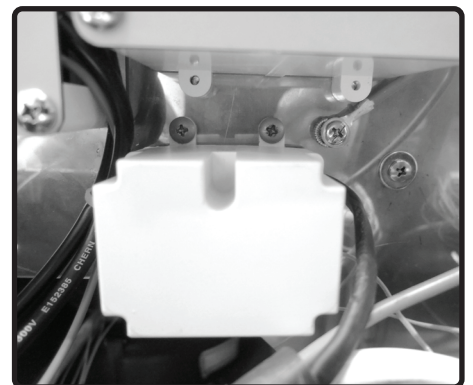
6. Re-install internal blower flange to motor housing by (6) screws previously removed from step 1.



7. Secure motor housing to hood body by (12) M4\*6 screws.



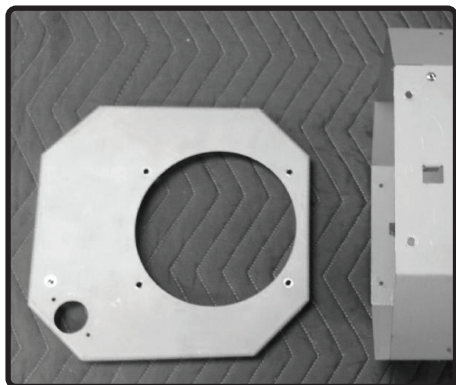
8. Connect 6 pin molex connector from capacitor cable to 6 pin molex connector from control box. Connect 2 pin plug from AC power cable to 2 pin plug from control box. Secure cables to hood interior with zip ties and zip tie holders.



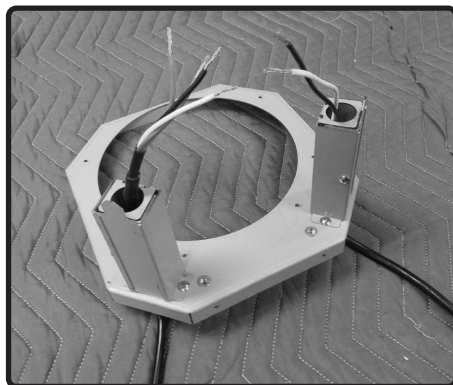
9. Secure capacitor box to internal hood body by (2) M4\*8 screws and secure ground wire by (1) 3/16\*3/8 screws.

# Installation Instructions

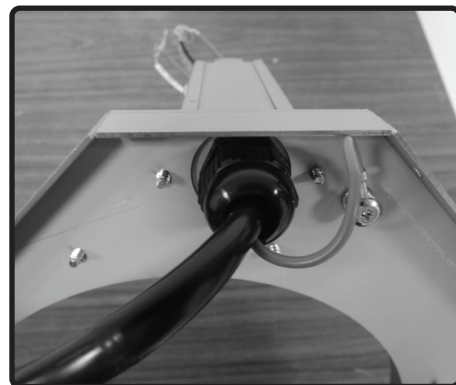
## Remote Blower Preparation



1. Remove internal blower flange from motor housing by (6) screws.



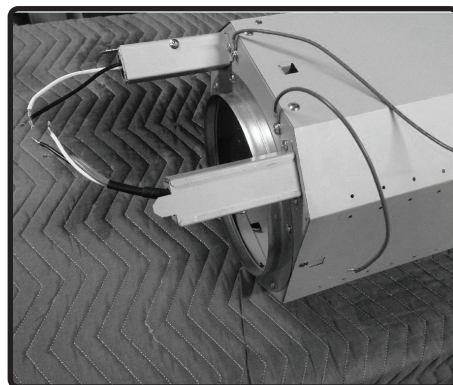
2. Secure AC power box and remove blower wiring box to remote blower flange by (2) M4\*8 screws each.



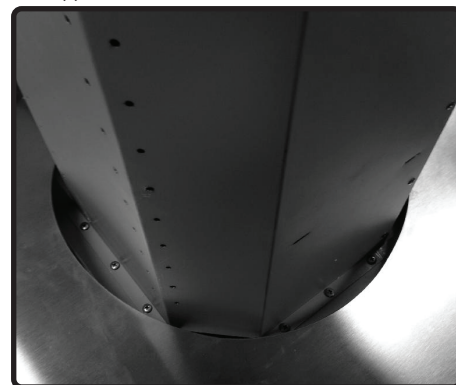
3. Secure AC power ground wire and remote blower ground wire to underside of remote blower flange by (1) 3/16\*3/8 screw and (1) washer each.



4. Secure remote blower 8" round collar to remote blower flange by (8) M4\*8 screws.



5. Secure remote blower flange to motor housing using (6) screws previously removed from step 1.



6. Secure motor housing to hood body by (12) M4\*8 screws.



7. Connect 6 pin molex connector from remote blower wiring box to 6 pin molex connector from control box. Connect 2 pin plug from AC power cable to 2 pin plug from control box. Secure cables to hood interior with zip ties and zip tie holders.

**NOTE:** For instructions on mounting the remote blower, please refer to the CBE-1000 or PBN-1000A remote blower manual included in the remote blower packaging or on our website at [www.zephyronline.com](http://www.zephyronline.com)

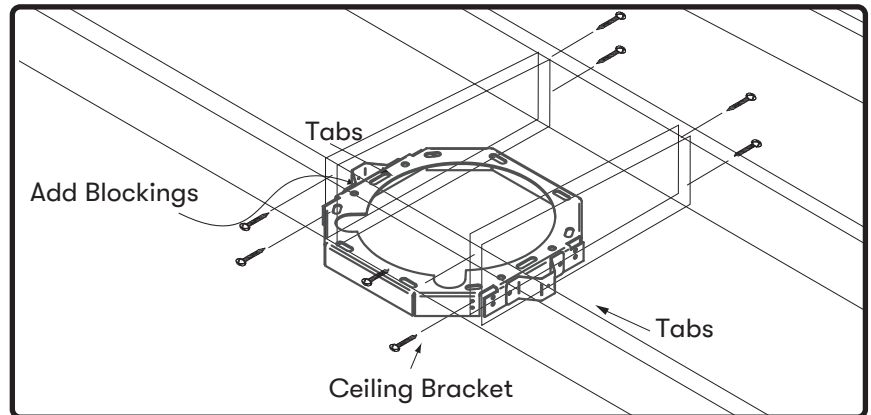
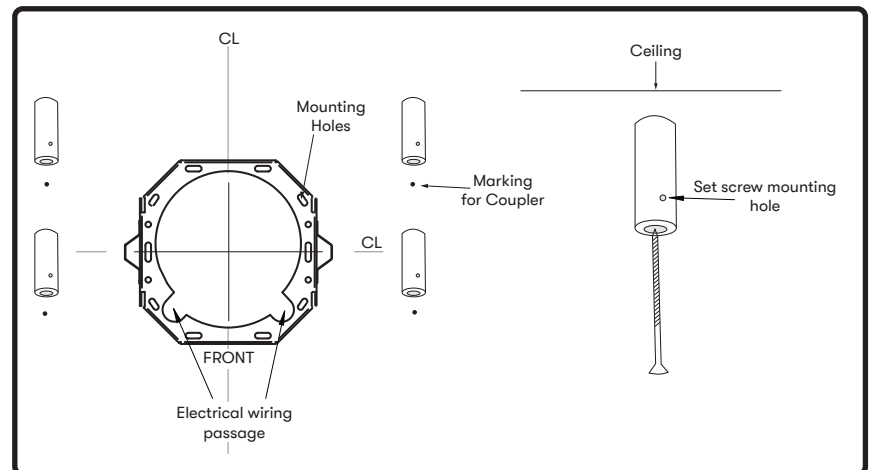
## Mounting the Range Hood

1. Determine the location for mounting the hood. Mark centerlines front to back and left to right of hood placement. Place supplied paper template on ceiling and center marked center lines with template center lines. Mark mounting holes for ceiling bracket and telescopic rod couplers.

2. Cut out hole in ceiling for the duct work and electrical wiring passage.

3. Add and secure wood blockings (minimum 2x4 studs) between ceiling joists for ceiling bracket and telescopic rod couplers if needed. FIG. B.

4. Center, mark and fasten ceiling bracket onto ceiling using (4) M4\*38 screws and (4) washers. Make sure the word "FRONT" displayed on the ceiling bracket is facing the front of the hood where the controls will be located. FIG. C.

**FIG. B****FIG. C**

5. Attach telescopic rod couplers to marked locations on ceiling using (1) #6\*2" wood screw for each coupler. Make sure the set screw mounting hole is toward the bottom of the coupler during mounting. FIG. C.

6. Prepare and position electrical wiring and duct work through ceiling bracket.



# Installation Instructions

## Mounting the Range Hood

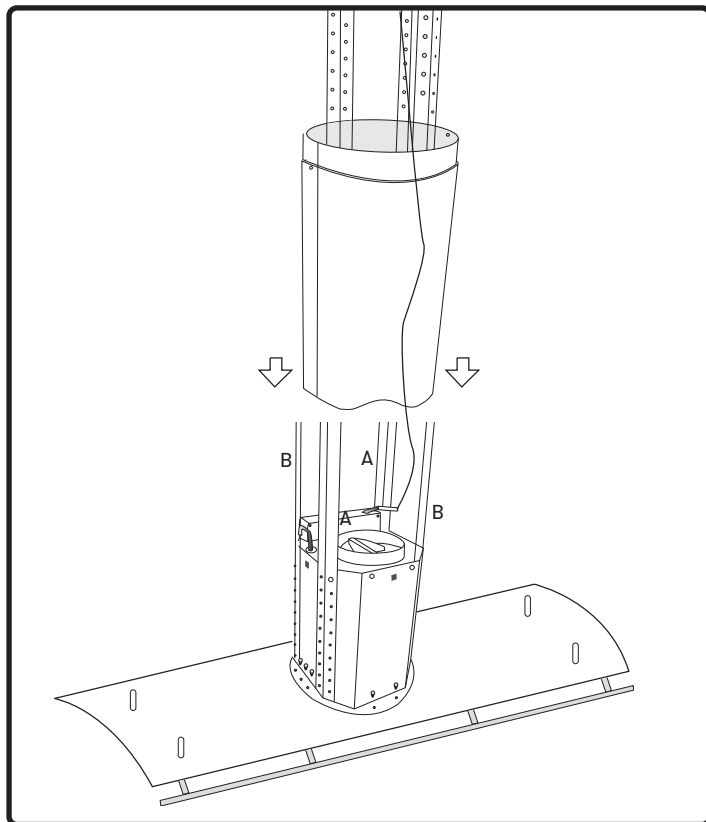


FIG. D

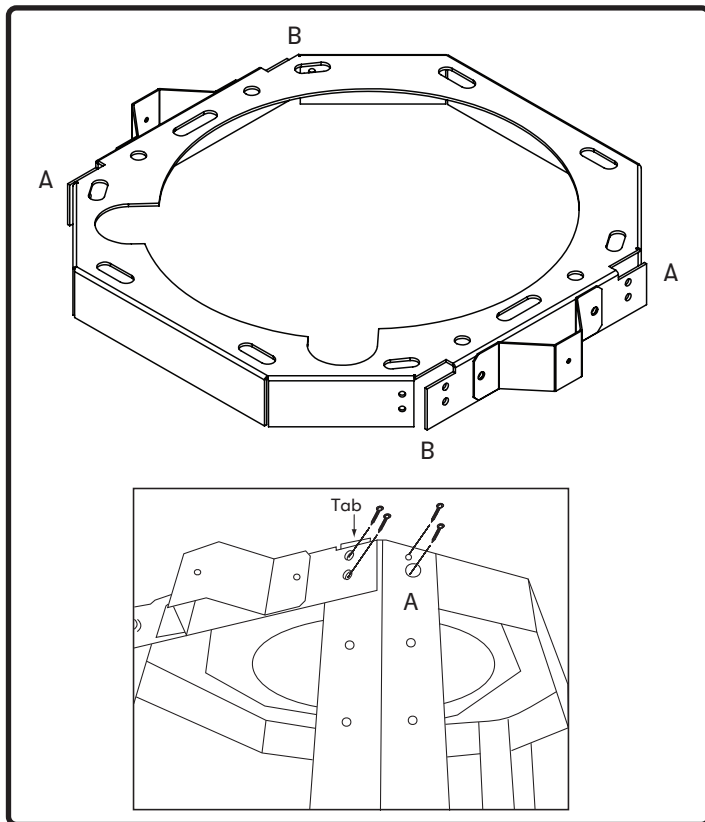


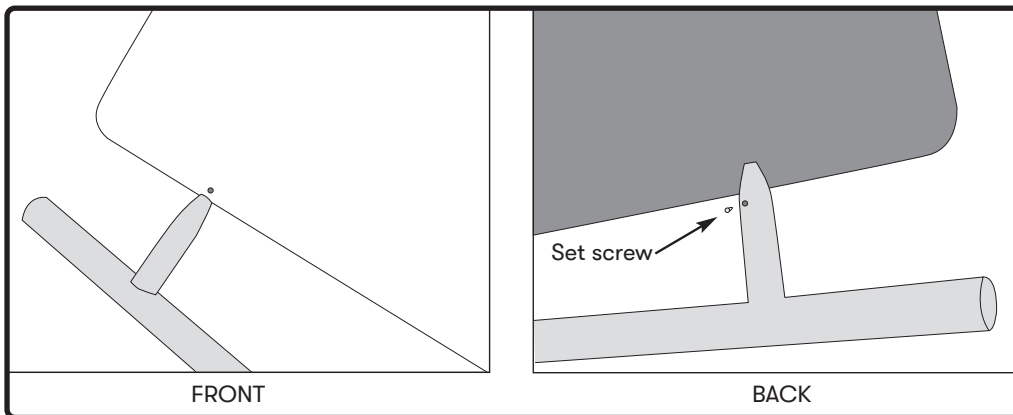
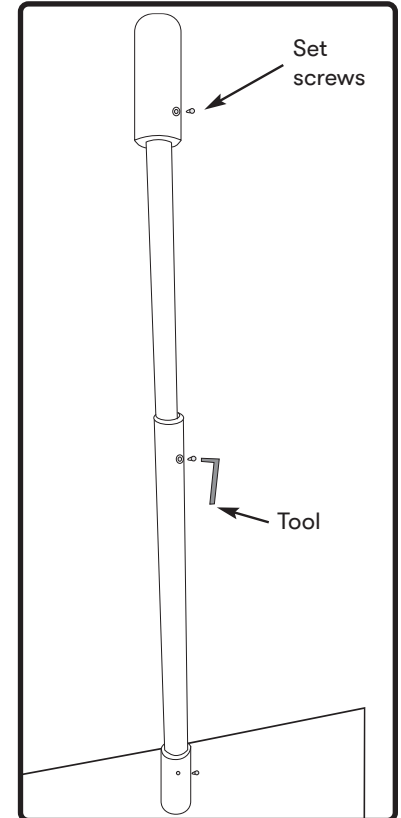
FIG. E

7. Determine desired height of hood, measure and select either 27-3/8" or 35-3/8" angle brackets. Position and attach angle brackets type A and B to the motor housing as shown using (8) M4\*6 screws, (2) for each angle bracket. FIG. D.
8. Slide duct covers over motor housing. Make sure bottom duct cover with cut-out is facing the front and back of hood. FIG. D.
9. Lift assembled unit and attach all (4) angle brackets to ceiling bracket. Make sure the tabs on each angle bracket fit between the slots on the ceiling bracket. One half of the angle bracket will be outside the ceiling bracket and the other half outside the ceiling bracket. Attach angle brackets to ceiling bracket using (16) M4\*6 screws, (4) for each angle bracket. FIG. E.
10. Connect duct work and electrical wiring.
11. Slide up upper duct cover and attach to ceiling bracket using (2) M3\*5 screws.

## Telescopic Rod & Utensil Rail Installation

### Telescopic Rod Installation (FIG. F)

1. Install telescopic rod (thicker end down) into coupler on top of hood and secure by (1) M4\*4 set screw for each rod.
2. Extend inner telescopic rod to ceiling coupler and attach by (1) M4\*4 set screw for each rod.
3. Secure telescopic rods together at top of outer rod by (1) M4\*4 set screw for each rod set.

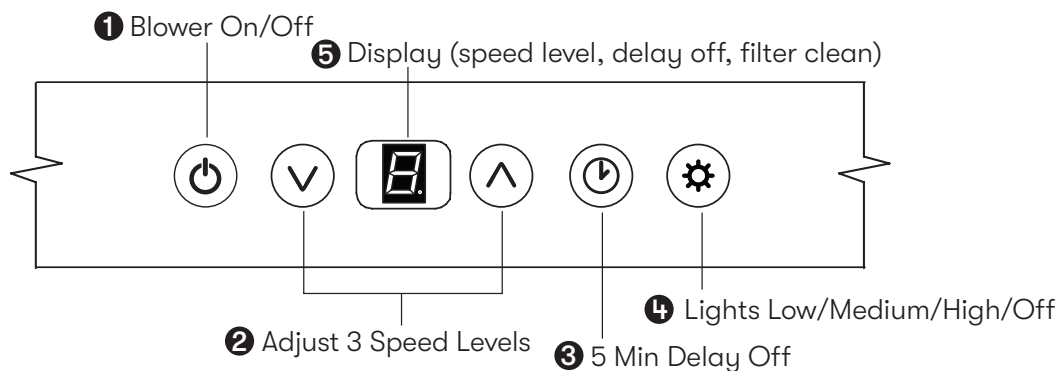
**FIG. G****FIG. F**

### Utensil Rail Installation (FIG. G)

1. Attach utensil rail to long side of hood canopy. A small hole has been pre-drilled into the canopy to provide a starting point to attach the first utensil rail post. After the first post is lined up with the hole, gently slide the rest of the rail onto the canopy. Use caution and be careful not to scratch the stainless steel of the canopy when performing this step.
2. Secure utensil rail to hood canopy by (1) M4\*4 set screw pre-installed into each post. Repeat step for other side of canopy.

# Features & Controls

## Touch Controls



### 1. Blower On/Off

By pressing the blower is switched on and off. When switched on, the blower starts up on speed level 1.

### 2. Speed Selection

- Press to decrease fan speed. 3, 2, 1.
- If fan is on Speed 1 and is pressed, the fan will power off.
- Press to increase fan speed. Fan On, 1, 2, 3.
- If hood is off and is pressed, the fan will turn on speed 1.

### 3. Delay Off

This feature is used for programmed shut down of blower 5 minutes after the function is activated. Press once, a dot flashes in the lower right side of display indicating the function is on. The blower will completely shut down after 5 minutes.

### 4. Lights Low/Medium/High/Off


Switch lights on to low by pressing once, press a second time for medium, press a third time for high, and again to shut off the lights.

### 5. Display Window


The display window indicates speed levels and features such as baffle filter clean reminder, delay off and clean air indicator.




## Touch Controls

### Baffle Filter Clean Reminder

A set of baffle filters are fitted by the factory, these baffle filters are intended to filter out residue from cooking. The filters need not be replaced on a regular basis but are required to be kept clean. The Baffle Filter Clean reminder function in the microprocessor will automatically indicate by a flashing  when the baffle filters need to be cleaned after every 60 hours of use. Filters can be cleaned by hand with non-abrasive soap or in a dishwasher. Heavily soiled filters should also be soaked in grease cutting detergent prior to cleaning.

### Baffle Filter Clean Indicator

When  flashes on the display, the baffle filters need to be cleaned. This will occur after every 60 hours of use.

Reset the filter clean reminder timer after filters are cleaned and re-installed. With hood off, press and hold  for approximately 5 seconds until  on display disappears . The filter clean reminder function is now reset and a new 60 hours elapse cycle is initiated.

### Clean Filters

display < F > flashes



### To Reset





hold 5 sec. display from < F > to < >



### Clean Air Function

Clean Air is a feature that turns on the blower on low speed every 4 hours for 10 minutes to remove stagnant air in the kitchen. The Clean Air function is disabled by default and must be enabled by the user.

### Clean Air Indicator

While Clean Air is active, the display will alternate between , , , .

After 10 minutes of Clean Air operation, the blower will power off and the 4 hour timer will reset.

If the blower speed is changed while the Clean Air Function is in use, the cycle will be interrupted and the timer will reset after.

### To Enable

hold 3 sec.



display < A > flashes



### To Disable

hold 3 sec.



display from < A > to < >



# Features & Controls


## Optional RF Remote Control

### FCC Caution

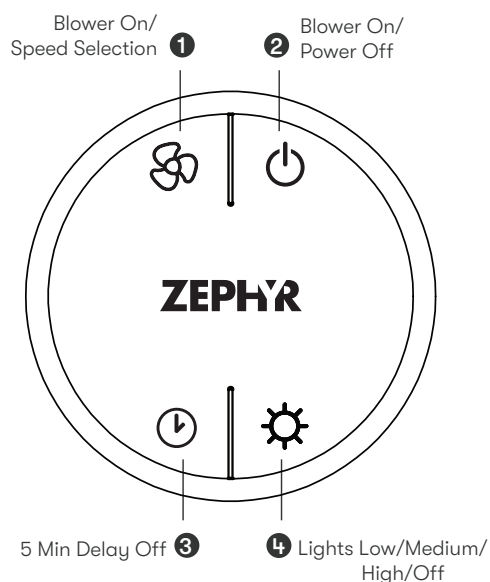
To assure continued compliance, any changes or modifications not expressly approved by the party responsible for compliance could void the user's authority to operate this equipment. (Example - use only shielded interface cables when connecting to computer or peripheral device. This device complies with Part 15 of the FCC Rules. Operation is subject to the following two conditions. (1) This device may not cause harmful interference, and (2) This device must accept any interference received, including interference that may cause undesired operation.

### Synchronization

To create a unique link between your liner and remote control please follow these steps.

1. With liner off, press and hold the "lights" button on the liner until the letter "F" shows on the display screen.
2. Press  on the remote, the lights on the liner will turn on and synchronization is complete.



### RF Remote Control Functions





#### 1 Blower On / Speed Selection

Press  to power on blower and cycle through all three blower speeds.


#### 2 Blower On / Power Off

By pressing , the blowers will power on at the last speed setting. Press  again and the entire hood will power off, including lights.

#### 3 Delay Off

By pressing , the blower and lights will enter Delay Off mode. A dot will appear in the lower right corner of the hood display  indicating the function is on. The blower will change to speed 1 and shut down after 5 minutes.

#### 4 Lights Low/Medium/High/Off

Switch lights to Low by pressing  once, second time for Medium, third time for High, and again to switch Off.



## Optional RF Remote Control

### RF Remote Features

The RF remote control is equipped with a magnet on the back for easy storage. The remote may be placed on any magnetic surface such as a refrigerator or the Zephyr remote holder, FIG. H. The remote holder can be inserted into a standard electrical outlet for easy storage. Note: The remote holder does not charge the RF remote.

Maximum remote control communication distance is 15 feet from the liner.

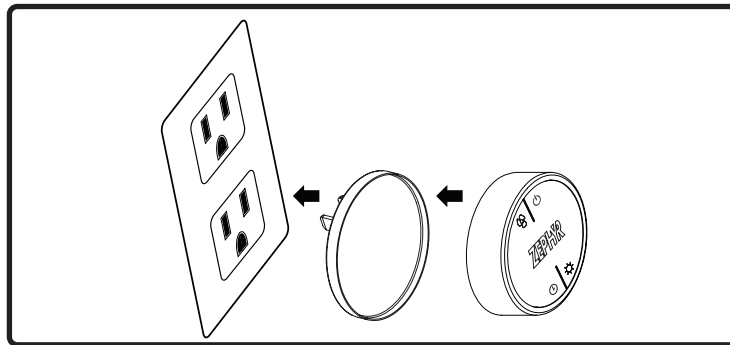


FIG. H

### RF Remote Maintenance

Clean the remote control using non abrasive detergents.

Follow instructions below for replacing battery. Using a small flat head screwdriver, raise the cover of the battery door (A) in order to access the battery compartment. FIG. I.

Remove the battery and replace with battery type A23 12V. Negative end of battery should face the spring inside the remote.

Re-install battery door and recycle old battery.

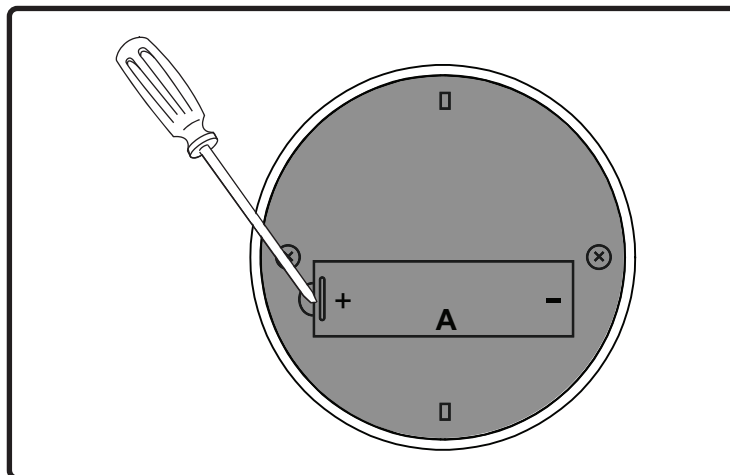


FIG. I

# Maintenance

---

## Hood & Grease Filter Cleaning

### Surface Maintenance

- ▶ Do not use corrosive detergents, abrasive detergents or oven cleaners.
- ▶ Do not use any product containing chlorine bleach or any product containing chloride.
- ▶ Do not use steel wool or abrasive scrubbing pads which will scratch and damage surface.

### Cleaning Stainless Steel

Clean periodically with warm soapy water and clean cotton cloth or micro fiber cloth. Always rub in the direction of the stainless steel grain. To remove heavier grease build up use a liquid degreaser detergent.

After cleaning use a non-abrasive stainless steel polish/cleaners, to polish and buff out the stainless luster and grain. Always scrub lightly, with clean cotton cloth or micro fiber cloth and buff in the direction of the stainless steel grain.

### Cleaning the Grease Filter

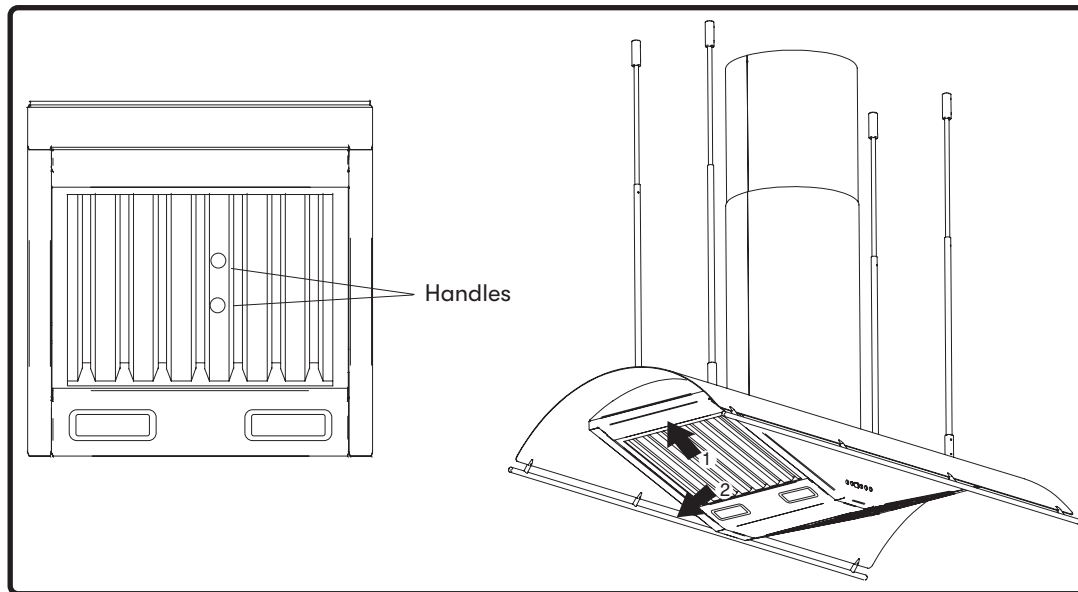
The grease filter installed by the factory are intended to filter out residue and grease from cooking. They need not be replaced on a regular basis but are required to be kept clean.

Remove and clean by hand or in dishwasher using a non-phosphate detergent. Discoloration of the grease filter may occur if using phosphate detergents, or as a result of local water conditions - but this will not affect filter performance. This discoloration is not covered by the warranty. Spray degreasing detergent and leave to soak if heavily soiled.

Dry grease filter and re-install before using hood.

**Removing the Grease Filter (FIG. J)**

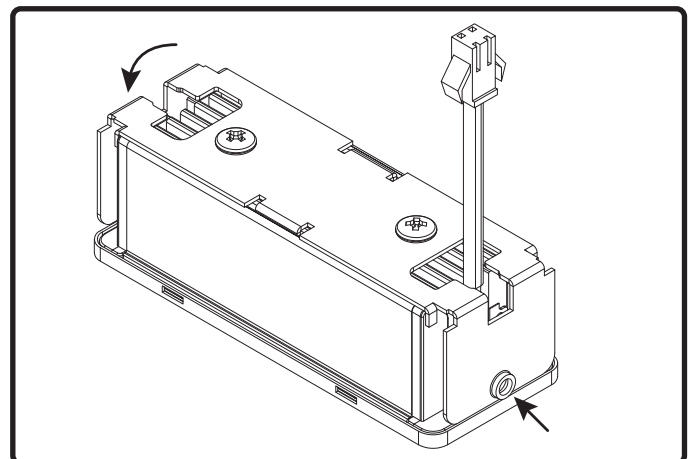
1. Push grease filter away from center of hood using handles.
2. Pivot back of filter downward.
3. Remove filter by pulling down and away from the hood.

**FIG. J****Swivel LumiLight LED**

In the unlikely event that your swivel LumiLight LED fails, please contact Zephyr to order replacement parts. See the list of parts and accessories page for part numbers and contact information.

**LED Removal (FIG. K)**

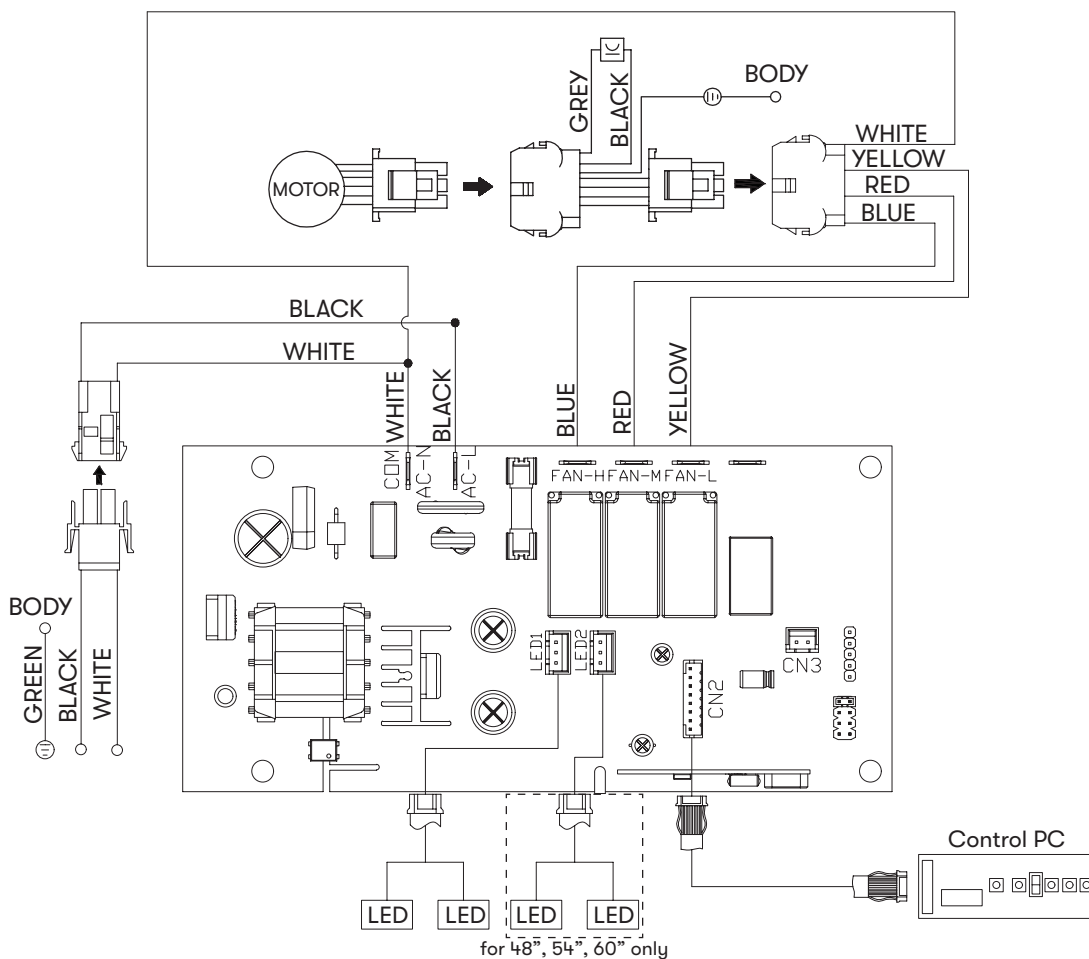
1. Remove grease filters.
2. (If applicable) remove both side spacer panels by 2 screws for each spacer panel.
3. Remove screws on light panel.
4. Disconnect LED light quick connector.
5. Remove (2) screws from the sides per LED light.
6. Push LED light through the light panel opening.

**FIG. K**

# Wiring Diagram

CTP-E36/48/54/60CSX	VOLTS	HZ	MAX AMPS
	120	60	CBI-290C 0.8 CBI-390A 2.1 CBI-600A 2.6

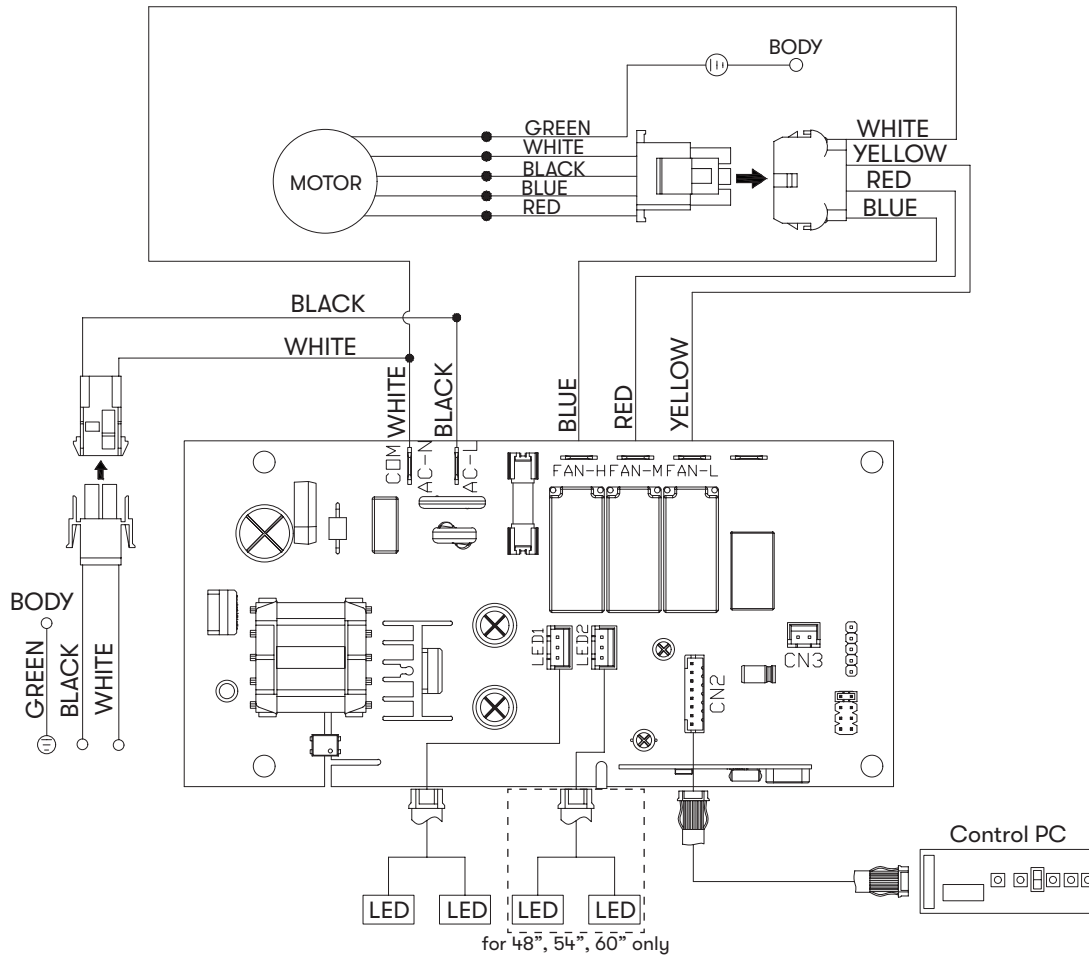
## INTERNAL BLOWER CIRCUIT DIAGRAM



REMARKS: CONDENSER 3 uF 250V AC120V 60Hz (CBI-290C)  
CONDENSER 25uF 250V AC120V 60Hz (CBI-390A/CBI-600A)

CTP-E36/48/54/60CSX	VOLTS	HZ	MAX AMPS
	120	60	CBE-1000 6.2 PBN-1000A 5.1

## REMOTE BLOWER CIRCUIT DIAGRAM



REMARKS: CONDENSER 15 uF 370V AC120V 60Hz (CBE-1000)  
CONDENSER\*2 25uF 250V AC120V 60Hz (PBN-1000A)

# Troubleshooting

Possible Problem	Possible Cause	Solutions
After installation, the unit doesn't work.	The power source is not turned ON.	Make sure the circuit breaker and the unit's power is ON.
	The power line and the cable locking connector is not connecting properly.	Check the power connection with the unit is connected properly.
	The switch board and control board wirings are disconnected.	Make sure the wirings between the switch board and control board are connected properly.
	The switch board or control board is defective.	Change the switch board or control board.
Light works, but blower is not turning.	Wire harness from external or internal blower might be disconnected.	Make sure the wires are connected to the control board box.
	The thermally protected system detects if the blower is too hot to operate and shuts the blower down.	The blower will function properly after the thermally protected system cool down.
	Damaged capacitor.	Change the capacitor.
	Blower molex plug pin is not making contact.	Disconnect the blower molex plug, check pins inside plug to see if pin is pushed inside the plug too far. Reset pin if needed.
	The blower is defective, possibly seized.	Change the blower.
The unit is vibrating.	The blower is not secured in place.	Tighten the blower in place.
	Damaged blower wheel.	Replace the blower.
	The hood is not secured in place.	Check the installation of the hood.
The unit is whistling.	A filter is not in the correct position.	Adjust the filters until the whistling stops.
	The duct pipe connections are not sealed or connected properly.	Check the duct pipe connections to be sure all connections are sealed properly.
The blower is working, but the lights are not.	The LED light connector is disconnected.	Connect the LED light connector.
	Defective LED light.	Change the LED light.

Possible Problem	Possible Cause	Solutions
The hood is not venting out properly.	Using the wrong size of ducting.	Change the ducting to at least 6" or higher for the internal blower and 8" or higher for the external blower.
	The hood might be hanging too high from the cook top.	Adjust the distance between the cooktop and the bottom of the hood within 24" and 36" range.
	The wind from the opened windows or opened doors in the surrounding area are affecting the ventilation of the hood.	Close all the windows and doors to eliminate the outside wind flow.
	Blockage in the duct opening or ductwork.	Remove all the blocking from the duct work or duct opening.
	There are too many turns within the ducting.	Limit number of turns and/or increase duct size.
Filter is vibrating.	Filter is loose.	Adjust or change the filter.
RF Remote control does not work.	Battery is dead.	Replace battery with type A23 12v.
	Poor communication with the hood.	Remote control must be within 15 ft of hood.
	RF Remote lost communication with the hood.	Reset hood and remote by switching power off at the circuit breaker for 5 minutes. Place remote on counter top near the hood and switch the circuit breaker back on.

# List of Parts & Accessories

Description	Part Number
<b>Replacement Parts</b>	
Baffle Filter (each)	50210039
Swivel LumiLight LED, 6W	ZOB0052
<b>Optional Accessories</b>	
Duct Cover Extension	Z1C-00TP
Single Internal Blower	CBI-290C / CBI-600A
External Blower	CBE-1000
In-line Blower	PBN-1000A
RF Remote Control	14000005

To order parts, visit us online at <http://store.zephyronline.com>.



**TO OBTAIN SERVICE UNDER WARRANTY OR FOR ANY SERVICE RELATED QUESTIONS****United States Customers please call: 1-888-880-8368 or contact us at: [zephyronline.com/contact](http://zephyronline.com/contact)****Canada Customers please call: 1-800-361-0799 or Email: [service@distinctive-online.com](mailto:service@distinctive-online.com)**

Zephyr Ventilation, LLC (referred to herein as “we” or “us”) warrants to the original consumer purchaser (referred to herein as “you” or “your”) of Zephyr products (the “Products”) that such Products will be free from defects in materials or workmanship as follows:

**Three Year Limited Warranty for Parts:** For three years from the date of your original purchase of the Products, we will provide, free of charge, Products or parts (including LED light bulbs, if applicable) to replace those that failed due to manufacturing defects subject to the exclusions and limitations below. We may choose, in our sole discretion, to repair or replace parts before we elect to replace the Products.

**One Year Limited Warranty for Labor:** For one year from the date of your original purchase of the Products, we will provide, free of charge, the labor cost associated with repairing the Products or parts to replace those that failed due to manufacturing defects subject to the exclusions and limitations below. After the first year from the date of your original purchase, you are responsible for all labor costs associated with this warranty.

**Warranty Exclusions:** This warranty covers only repair or replacement, at our option, of defective Products or parts and does not cover any other costs related to the Products including but not limited to: (a) normal maintenance and service required for the Products and consumable parts such as fluorescent, incandescent or halogen light bulbs, mesh and charcoal filters and fuses; (b) any Products or parts which have been subject to freight damage, misuse, negligence, accident, faulty installation or installation contrary to recommended installation instructions, improper maintenance or repair (other than by us); (c) commercial or government use of the Products or use otherwise inconsistent with its intended purpose; (d) natural wear of the finish of the Products or wear caused by improper maintenance, use of corrosive and abrasive cleaning products, pads, and oven cleaner products; (e) chips, dents or cracks caused by abuse or misuse of the Products; (f) service trips to your home to teach you how to use the Products; (g) damage to the Products caused by accident, fire, floods, acts of God; or (h) Custom installations or alterations that impact serviceability of the Products. If you are outside our service area, additional charges may apply for shipping costs for warranty repair at our designated service locations and for the travel cost to have a service technician come to your home to repair, remove or reinstall the Products. After the first year from the date of your original purchase, you are also responsible for all labor costs associated with this warranty. All Products must be installed by a qualified professional installer to be eligible for warranty repairs or service.

**Limitations of Warranty. OUR OBLIGATION TO REPAIR OR REPLACE, AT OUR OPTION, SHALL BE YOUR SOLE AND EXCLUSIVE REMEDY UNDER THIS WARRANTY. WE SHALL NOT BE LIABLE FOR INCIDENTAL, CONSEQUENTIAL OR SPECIAL DAMAGES ARISING OUT OF OR IN CONNECTION WITH THE USE OR PERFORMANCE OF THE PRODUCTS. THE EXPRESS WARRANTIES IN THE PRECEDING SECTION ARE EXCLUSIVE AND IN LIEU OF ALL OTHER EXPRESS WARRANTIES. WE HEREBY DISCLAIM AND EXCLUDE ALL OTHER EXPRESS WARRANTIES FOR THE PRODUCTS, AND DISCLAIM AND EXCLUDE ALL WARRANTIES IMPLIED BY LAW, INCLUDING THOSE OF MERCHANTABILITY AND FITNESS FOR A PARTICULAR PURPOSE.**

Some states or provinces do not allow limitations on the duration of an implied warranty or the exclusion or limitation of incidental or consequential damages, so the above limitations or exclusions may not apply to you. To the extent that applicable law prohibits the exclusion of implied warranties, the duration of any applicable implied warranty is limited to the same three-year and one-year periods described above if permitted by applicable law. Any oral or written description of the Products is for the sole purpose of identifying the Products and shall not be construed as an express warranty. Prior to using, implementing or permitting use of the Products, you shall determine the suitability of the Products for the intended use, and you shall assume all risk and liability whatsoever in connection with such determination. We reserve the right to use functionally equivalent refurbished or reconditioned parts or Products as warranty replacements or as part of warranty service. This warranty is not transferable from the original purchaser and only applies to the consumer residence where the Product was originally installed located in the United States and Canada. This warranty is not extended to resellers.

**To Obtain Service Under Limited Warranty:** To qualify for warranty service, you must: (a) notify us at the address or telephone number stated below within 60 days of the discovery of the defect; (b) give the model number and serial number; and (c) describe the nature of any defect in the Product or part. At the time of the request for warranty service, you must present evidence of your proof of purchase and proof of the original purchase date. If we determine that the warranty exclusions listed above apply or if you fail to provide the necessary documentation to obtain service, you will be responsible for all shipping, travel, labor and other costs related to the services. This warranty is not extended or restarted upon warranty repair or replacements.

Please check our website for any additional Product information, [www.zephyronline.com](http://www.zephyronline.com)

**Zephyr, 2277 Harbor Bay Parkway, Alameda, CA 94502**

# Product Registration

Congratulations on the purchase of your Zephyr product! Please take a moment to register your new Zephyr product at [www.zephyronline.com/registration](http://www.zephyronline.com/registration)

## IT'S IMPORTANT

Prompt registration helps in more ways than one.

- Ensures warranty coverage should you need service.
- Ownership verification for insurance purposes.
- Notification of product changes or recalls.



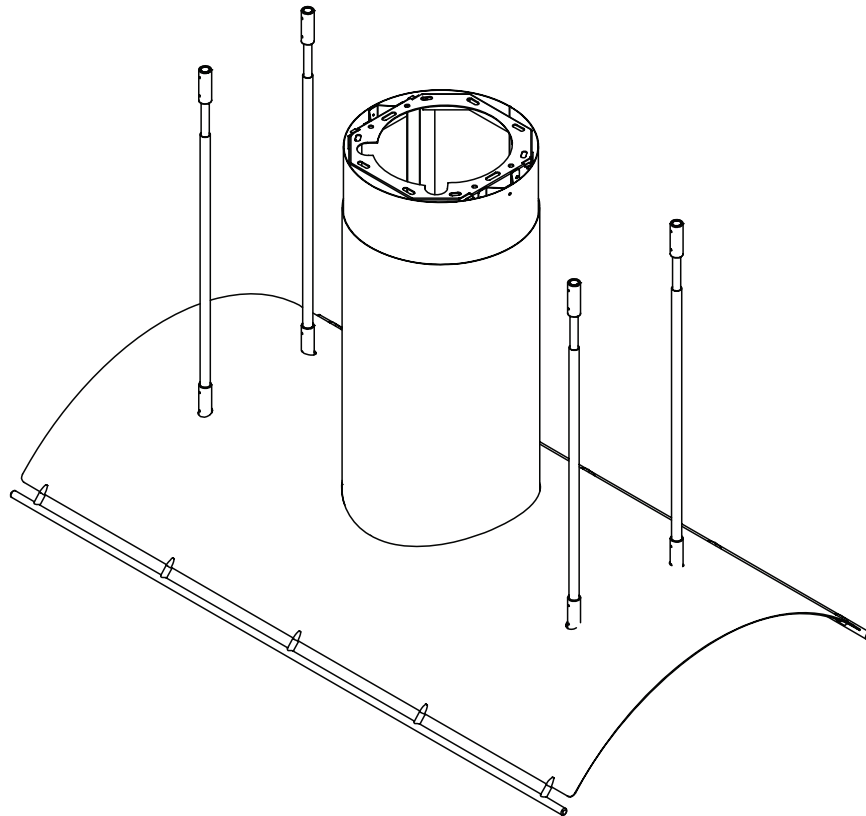
Zephyr Ventilation | 2277 Harbor Bay Pkwy. | Alameda, CA 94502 | 1.888.880.8368

## Trapeze

CTP-E36CSX, CTP-E48CSX,  
CTP-E54CSX, CTP-E60CSX

EN Use, Care, and Installation Guide

FR Guide d'utilisation, d'entretien et d'installation





---

	Page
<b>Consignes de sécurité .....</b>	<b>4-6</b>
Types d'avertissements de sécurité .....	4
Sécurité générale.....	4-5
Opération .....	6
Exigences électriques .....	6
Déclaration d'interface de la Federal Communication Commission ...	6
<b>Liste de matériel .....</b>	<b>7</b>
<b>Instructions d'installation .....</b>	<b>8-17</b>
Feuille de calcul pour le conduit d'aération.....	8
Hauteur de montage, dégagement et gaine .....	9
Options de conduits .....	10
Spécifications de la hotte .....	11
Fourniture électrique .....	12
Raccord de câble .....	12
Préparation du ventilateur interne .....	13
Préparation du ventilateur à distance.....	14
Montage de la hotte de cuisinière .....	15 -16
Installation de la tige télescopique et du rail à ustensiles .....	17
<b>Fonctionnalités et commandes .....</b>	<b>18-21</b>
Commandes tactiles.....	18-19
Télécommande RF en option.....	20-21
<b>Entretien.....</b>	<b>22-23</b>
Nettoyage de la hotte et du filtre à graisse.....	22
LumiLight LED pivotante.....	23
<b>Schéma de câblage.....</b>	<b>24-25</b>
<b>Dépannage .....</b>	<b>26-27</b>
<b>Liste des pièces et accessoires .....</b>	<b>28</b>
<b>Garantie limitée .....</b>	<b>29</b>
<b>Enregistrement du produit.....</b>	<b>30</b>

# Consignes de sécurité

## LISEZ ET CONSERVEZ CES INSTRUCTIONS

**Votre sécurité et celle des gens qui vous entourent sont très importantes.**

Ce manuel contient de nombreux messages de sécurité relatifs à votre appareil. Lisez tous les messages et conformez-vous-y en tout temps.



Voici le symbole d'alerte à la sécurité. Ce symbole vous informe de possibles dangers qui pourraient entraîner de graves lésions corporelles ou la mort. Tous les messages de sécurité suivent le symbole d'alerte à la sécurité et comportent les mots « **DANGER** », « **AVERTISSEMENT** » ou « **ATTENTION** ».

**DANGER**

Le mot « danger » signifie que le fait de ne pas tenir compte de l'énoncé de sécurité peut entraîner une blessure grave ou la mort.

**AVERTISSEMENT**

Le mot « avertissement » signifie que le fait de ne pas tenir compte de l'énoncé de sécurité peut entraîner des dommages importants au produit, une lésion corporelle grave ou la mort.

**ATTENTION**

Le mot « attention » signifie que le fait de ne pas tenir compte de l'énoncé de sécurité peut entraîner une lésion corporelle mineure ou modérée, ou encore des dommages au produit ou à la propriété.

### Sécurité générale

**ATTENTION**

Pour réduire le risque d'incendie ou de choc électrique, n'utilisez pas ce ventilateur avec un dispositif de commande à semi-conducteurs.

**AVERTISSEMENT**

AVERTISSEMENT - POUR RÉDUIRE LES RISQUES D'INCENDIE, DE CHOC ÉLECTRIQUE OU DE BLESSURES AUX PERSONNES, RESPECTEZ LES SUIVANTS:

- N'utilisez cet appareil que de la manière prévue par le fabricant. Si vous avez des questions, contactez le fabricant.
- Avant l'entretien ou le nettoyage de l'unité, coupez l'alimentation au panneau de service et verrouillez les moyens de déconnexion de service pour éviter toute mise sous tension accidentelle. Lorsque le moyen de déconnexion de service ne peut pas être verrouillé, fixez solidement un dispositif d'avertissement bien visible, tel qu'une étiquette, au panneau de service.

**ATTENTION**

Pour Une Ventilation Générale Uniquement. Ne Pas Utiliser Pour Évacuer Des Matières Et Des Vapeurs Dangereuses Ou Explosives. Soyez prudent lorsque vous utilisez des produits de nettoyage pour détergents. Convient pour une utilisation dans la zone de cuisson domestique.

**AVERTISSEMENT**

AVERTISSEMENT - POUR RÉDUIRE LE RISQUE D'INCENDIE DE GRAISSE SUR LE HAUT DE CUISINIÈRE:

- Ne laissez jamais les unités de surface sans surveillance à des réglages élevés. Les débordements provoquent de la fumée et des débordements graisseux qui peuvent s'enflammer. Chauffer les huiles lentement à des réglages faibles ou moyens.
- Allumez toujours la l'insert lorsque vous cuisinez à feu vif ou lorsque vous flambez des aliments. (c'est-à-dire Crêpes Suzette, Cerises Jubilee, Boeuf au Poivre Flambé »).
- Nettoyez fréquemment les ventilateurs de ventilation. La graisse ne doit pas s'accumuler sur le ventilateur ou le filtre.
- Utilisez une taille de casserole appropriée. Utilisez toujours des ustensiles de cuisine adaptés à la taille de l'élément de surface.

## LISEZ ET CONSERVEZ CES INSTRUCTIONS

### **AVERTISSEMENT**

AVERTISSEMENT - POUR RÉDUIRE LE RISQUE DE BLESSURE DES PERSONNES EN CAS D'INCENDIE DE GRAISSE SUR LE HAUT DE LA CUISINIÈRE, RESPECTEZ CE QUI SUIT<sup>o</sup>:

- a) DES FLAMMES PLUS INTELLIGENTES avec un couvercle bien ajusté, une plaque à biscuits ou un plateau en métal, puis éteignez le brûleur. FAITES ATTENTION À ÉVITER LES BRÛLURES. Si les flammes ne s'éteignent pas immédiatement, ÉVACUER ET APPELER LE DÉPARTEMENT DES INCENDIES.
- b) NE JAMAIS RAMASSER UNE PLAQUE ENFLAMME - Vous pourriez être brûlé.
- c) N'UTILISEZ PAS D'EAU, ni de torchons ou de serviettes humides - une violente explosion de vapeur en résultera.
- d) Utilisez un extincteur UNIQUEMENT si:
  - 1) Vous savez que vous possédez un extincteur de classe ABC et vous savez déjà comment l'utiliser.
  - 2) Le feu est petit et contenu dans la zone où il a commencé.
  - 3) Le service d'incendie est appelé.
  - 4) Vous pouvez combattre le feu dos à une sortie

<sup>o</sup>Basé sur "Kitchen Firesafety Tips" publié par la NFPA.

### **AVERTISSEMENT**

AVERTISSEMENT  
POUR RÉDUIRE LES RISQUES D'INCENDIE, UTILISEZ  
UNIQUEMENT DES CONDUITS MÉTALLIQUES.

### **ATTENTION**

Pour réduire les risques d'incendie et pour évacuer correctement l'air extérieur, ne pas évacuer l'air évacué dans les espaces à l'intérieur des murs, plafonds, greniers, vides sanitaires ou garages.

### **AVERTISSEMENT**

AVERTISSEMENT - POUR RÉDUIRE LES RISQUES D'INCENDIE, DE DÉCHARGE ÉLECTRIQUE OU DE BLESSURES AUX PERSONNES, RESPECTEZ CE QUI SUIT:

- a) Les travaux d'installation et le câblage électrique doivent être effectués par des personnes qualifiées conformément à tous les codes et normes applicables, y compris la construction résistant au feu.
- b) Une quantité d'air suffisante est nécessaire pour une combustion et une évacuation correctes des gaz par le conduit de fumée (cheminée) de l'équipement à combustible pour empêcher le refoulement. Suivez les directives et les normes de sécurité du fabricant de l'équipement de chauffage, telles que celles publiées par la National Fire Protection Association (NFPA), l'American Society for Heating, Refrigeration and Air Conditioning Engineers (ASHRAE) et les autorités locales du code.
- c) Lorsque vous coupez ou percez dans un mur ou un plafond, n'endommagez pas le câblage électrique et les autres services publics cachés.
- d) Les ventilateurs à conduit doivent toujours être ventilés vers l'extérieur.
- e) Si cet appareil doit être installé au-dessus d'une baignoire ou d'une douche, il doit être marqué comme approprié pour l'application et être connecté à un circuit de dérivation protégé par un disjoncteur de fuite à la terre (GFCI).

### **AVERTISSEMENT**

**Prop. 65 Avertissement pour les résidents de Californie:** Ce produit peut contenir des produits chimiques reconnus par l'État de Californie comme pouvant provoquer le cancer, des malformations congénitales ou d'autres troubles de la reproduction.

# Consignes de sécurité

## LISEZ ET CONSERVEZ CES INSTRUCTIONS

### Opération

- ▶ Laissez toujours les grilles de sécurité et les filtres en place. Sans ces composants, les soufflantes en fonctionnement pourraient s'accrocher aux cheveux, aux doigts et aux vêtements amples.
- ▶ Le fabricant décline toute responsabilité en cas de non-respect des instructions données ici pour l'installation, la maintenance et l'utilisation appropriée du produit. Le fabricant décline en outre toute responsabilité en cas de blessure due à une négligence et la garantie de l'unité expire automatiquement en raison d'un mauvais entretien.

**REMARQUE:** veuillez consulter [www.zephyronline.com](http://www.zephyronline.com) pour les révisions avant d'effectuer tout travail personnalisé.

### Exigences électriques

#### Important:

- ▶ Respectez tous les codes et ordonnances en vigueur.
- ▶ Il est de la responsabilité du client d'en prendre connaissance ci-dessous:
- ▶ Pour contacter un installateur électrique qualifié.
- ▶ Pour garantir que l'installation électrique est adéquate et conforme au National Electrical Code, ANSI / NFPA 70 dernière édition \* ou aux normes CSA C22.1-94, Code canadien de l'électricité, partie 1 et C22.2 No.0-M91 - dernière édition \*\* et tous les codes et ordonnances locaux.
- ▶ Si les codes le permettent et qu'un fil de terre séparé est utilisé, il est recommandé qu'un électricien qualifié détermine que le chemin de terre est adéquat.
- ▶ Ne pas mettre à la terre un tuyau de gaz.
- ▶ Vérifiez auprès d'un électricien qualifié si vous n'êtes pas sûr que la l'insert est correctement mise à la terre.
- ▶ Ne pas avoir de fusible dans le circuit neutre ou de terre.
- ▶ Cet appareil nécessite une alimentation électrique de 120 V à 60 Hz et est connecté à un circuit de dérivation individuel correctement mis à la terre protégé par un disjoncteur de 15 ou 20 ampères ou un fusible temporisé. Le câblage doit être à 2 fils avec mise à la terre. Veuillez également vous référer au schéma électrique du produit.
- ▶ Un connecteur de verrouillage de câble (non fourni) peut également être requis par les codes locaux. Vérifiez les exigences locales, achetez et installez le connecteur approprié si nécessaire.

\* National Fire Protection Association Batterymarch Park, Quincy, Massachusetts 02269

\*\* CSA International 8501 East Pleasant Valley Road, Cleveland, Ohio 44131-5575

### Déclaration d'interface de la Federal Communication Commission

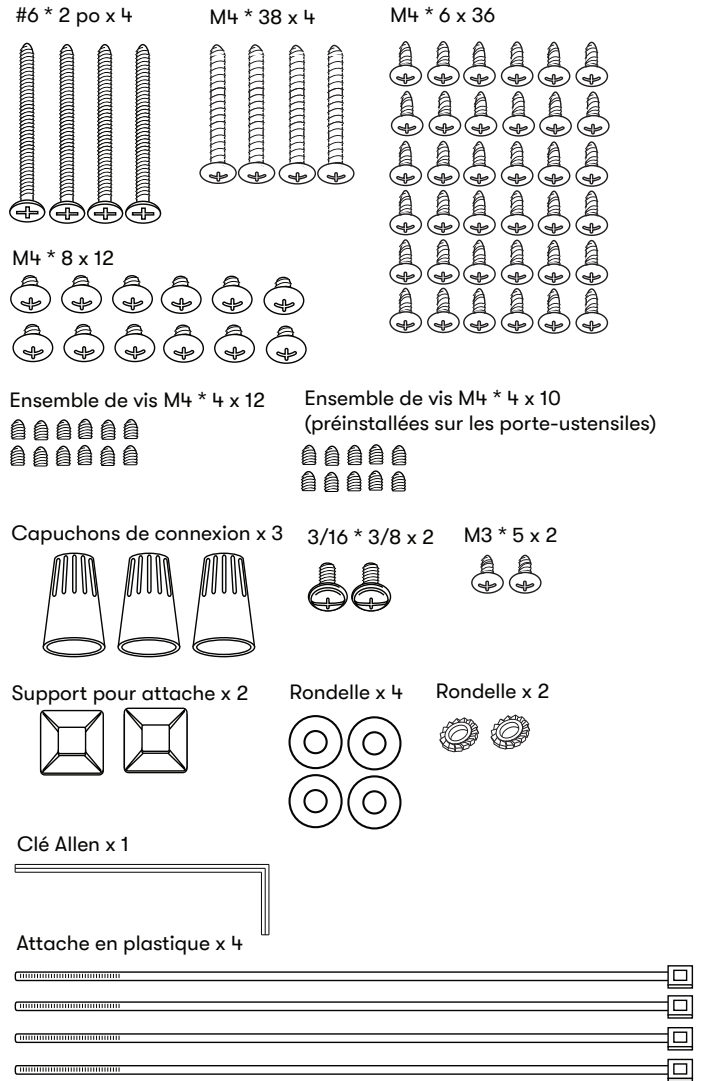
- ▶ Cet équipement a été testé et déclaré conforme aux limites d'un appareil numérique de classe B, conformément à la partie 15 des règles FCC. Ces limites sont conçues pour fournir une protection raisonnable contre les interférences nuisibles dans une installation résidentielle.
- ▶ Cet équipement génère, utilise et peut émettre de l'énergie radiofréquence et, s'il n'est pas installé et utilisé conformément aux instructions, peut provoquer des interférences nuisibles aux communications radio. Cependant, il n'y a aucune garantie que des interférences ne se produiront pas dans une installation particulière. Si cet équipement cause des interférences nuisibles à la réception de la radio ou de la télévision, ce qui peut être déterminé en éteignant et en rallumant l'équipement, l'utilisateur est encouragé à essayer de corriger les interférences par l'une des mesures suivantes:
- ▶ Réorientez ou déplacez l'antenne de réception.
- ▶ Augmentez la séparation entre l'équipement et le récepteur.
- ▶ Connectez l'équipement à une prise sur un circuit différent de celui sur lequel le récepteur est connecté.
- ▶ Consultez le revendeur ou un technicien radio / TV expérimenté pour obtenir de l'aide.



## Pièces fournies

Quantité	Partie
1	Hotte
2	Filtres à chicanes
4	LumiLight LED pivotant, 6W (préinstallé) (modèle 48, 54, 60 po)
2	LumiLight LED pivotant, 6W (préinstallé) (modèle 36 po)
2	Cache-conduits télescopiques
4	Jeux de tiges de support télescopiques
4	Coupleurs de tiges de support télescopiques
1	Support de plafond pour couvercle de conduit
2	Porte-ustensiles
4	Équerres (courtes)
4	Équerres (longues)
1	Col de départ rond de 8 po
1	Boîtier de câblage d'alimentation CA
1	Faisceau de fils de ventilateur à distance et boîte de câblage
1	Carter du moteur avec bride interne du carter du moteur
1	Bride de boîtier de moteur de ventilateur à distance
1	Paquet de matériel

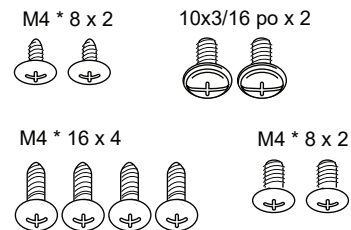
## Paquet de matériel



## Pièces non fournies

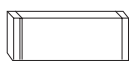
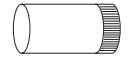
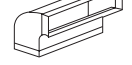






Conduits, conduits et tous les outils d'installation
Connecteur de verrouillage de câble (si requis par les codes locaux)
Ventilateur interne simple (CBI-290C, CBI-600A)
Ventilateur externe (CBE-1000)
Ventilateur en ligne (PBN-1000A)
Rallonge de couvercle de conduit (Z1C-00TP)

## Ensemble de matériel de ventilateur interne




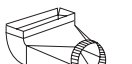







# Instructions d'installation

## Feuille de calcul pour le conduit d'aération

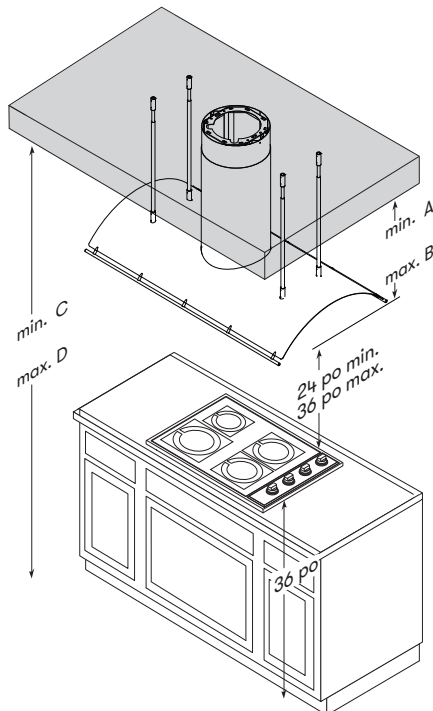
Pièces de conduit		Longueur x	Nombre utilisé	=	Total
	3-1/4" x 10" rect., droit	1 pi	x ( ) =		pi
	6", 7", 8", 10" circ., droit	1 pi	x ( ) =		pi
	3-1/4" x 10" rect., coude à 90°	15 pi	x ( ) =		pi
	3-1/4" x 10" rect., coude à 45°	9 pi	x ( ) =		pi
	3-1/4" x 10" rect., coude plat à 90°	24 pi	x ( ) =		pi
	7" to 6" or 8" to 7" circ. reducteur conique	25 pi	x ( ) =		pi
	6", 7", 8" circ. bouchone de l'air	15 pi	x ( ) =		pi
	6", 7", 8", 10" circ., coude à 90°	15 pi	x ( ) =		pi
	6", 7", 8", 10" coude à 45°	9 pi	x ( ) =		pi
Sous-total - colonne 1 =					pi

### Longueur maximale du conduit d'aération :

Pour un mouvement d'air convenable, la longueur totale d'un conduit d'aération ne devrait pas compter plus que l'équivalent de 150 pieds.

Pièces de conduit		Longueur x	Nombre utilisé	=	Total
	6" circ. à rect. de 3-1/4" x 10"	5 pi	x ( ) =		pi
	6" circ. à rect. de 3-1/4" x 10", coude à 90°	20 pi	x ( ) =		pi
	6" circ. à rect. de 3-1/4" x 10"	1 pi	x ( ) =		pi
	6" circ. à rect. de 3-1/4" x 10", coude à 90°	16 pi	x ( ) =		pi
	7" circ. à rect. de 3-1/4" x 10"	8 pi	x ( ) =		pi
	7" circ. à rect. de 3-1/4" x 10", coude à 90°	23 pi	x ( ) =		pi
	3-1/4" x 10" embout mural rect./registre	30 pi	x ( ) =		pi
	6", 7", 8", 10" embout mural circ./registre	30 pi	x ( ) =		pi
	6", 7", 8", 10" chapeau de toiture circ.	30 pi	x ( ) =		pi
Sous-total - colonne 2 =					pi
Sous-total - colonne 1 =					pi
Total du conduit =					pi

## Hauteur de montage, dégagement et gaine



Hauteur de la hotte	Recouvrement de conduit standard	Prolongement de recouvrement de conduit
minimum (A)	34 po	47 po
maximum (B)	51-1/2 po	72 po
<b>Hauteur de plafond</b>		
minimum (C)	94 po (7 pi 10 po)	107 po (8 pi 11 po)
maximum (D)	123-1/2 po (10 pi 3-1/2 po)	144 po (12 pi)

Un minimum de conduits ronds de 6" doit être utilisé pour maintenir une efficacité maximale du débit d'air avec le ventilateur interne de 290/600 CFM. Un minimum de conduits ronds de 8" à 10" doit être utilisé avec le ventilateur à distance de 1000 CFM. Les conduits flexibles peuvent restreindre le débit d'air jusqu'à 50%.

Utilisez également le calcul (à la page 8) pour calculer la longueur totale de conduit disponible lorsque vous utilisez des coudes, des transitions et des capuchons.

**TOUJOURS**, lorsque cela est possible, réduire le nombre de transitions et de virages. Si un long trajet de conduit est nécessaire, augmentez la taille du conduit.

Si des virages ou des transitions sont nécessaires; installer aussi loin que possible de la sortie du conduit de la l'insert et aussi loin que possible entre les deux.

La hauteur minimale de montage entre le haut de la cuisinière et le bas de la l'insert ne doit pas être inférieure à 24 po.

La hauteur de montage maximale ne doit pas dépasser 36 po.

Il est important d'installer la l'insert à la bonne hauteur de

montage. Les l'inserts montées trop bas peuvent entraîner des dommages causés par la chaleur et un risque d'incendie; tandis que les l'inserts montées trop haut seront difficiles à atteindre et perdront leurs performances et leur efficacité.


Si disponible, reportez-vous également aux exigences de dégagement en hauteur du fabricant de la cuisinière et à la hauteur de montage recommandée de la l'insert au-dessus de la cuisinière.

### Pour les dommages liés à l'expédition et à l'installation:


- ▶ Veuillez inspecter complètement l'unité pour déceler tout dommage avant l'installation. Si l'appareil est endommagé lors de l'expédition, renvoyez-le au magasin où il a été acheté pour réparation ou remplacement.
- ▶ Si l'appareil est endommagé par le client, la réparation ou le remplacement est à la charge du client.
- ▶ Si l'unité est endommagée par l'installateur (si autre que le client), la réparation du remplacement doit être effectuée par arrangement entre le client et l'installateur.

# Instructions d'installation

## Options de conduits

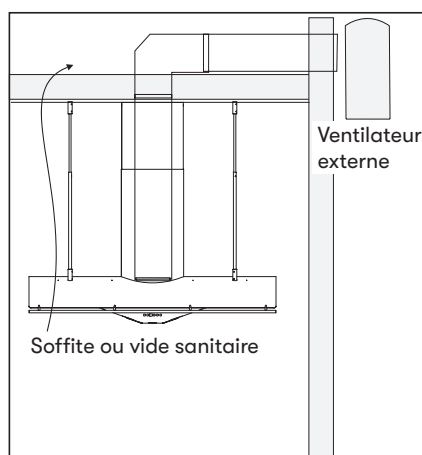
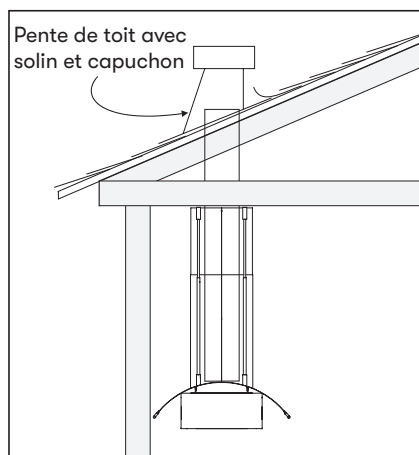
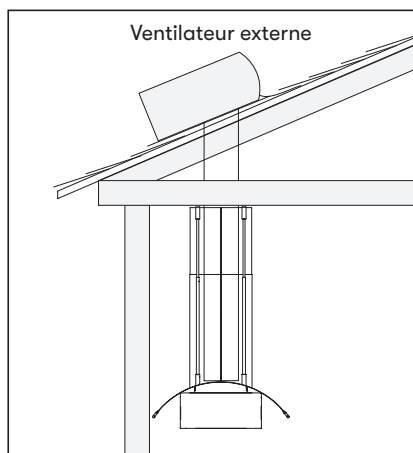
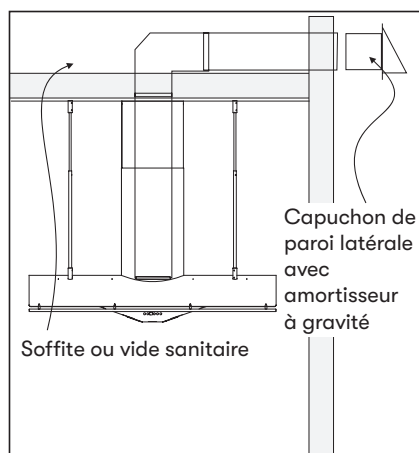


# ATTENTION



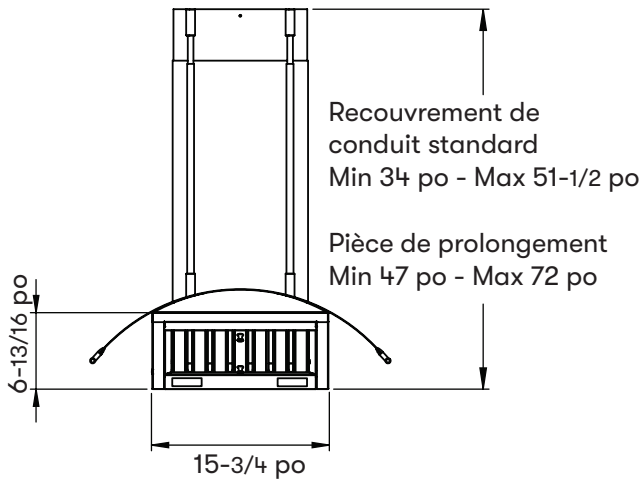
**Risque d'incendie:** NE JAMAIS évacuer l'air ni terminer de conduits dans des espaces entre les murs, les vides sanitaires, les plafonds, les greniers ou les garages. Tout l'échappement doit être canalisé vers l'extérieur, à moins d'utiliser l'option de recirculation.

- ▶ Utilisez uniquement des conduits métalliques rigides à paroi simple.
- ▶ Fixez toutes les connexions avec des vis à tôle et collez tous les joints avec du ruban argenté ou du ruban adhésif.

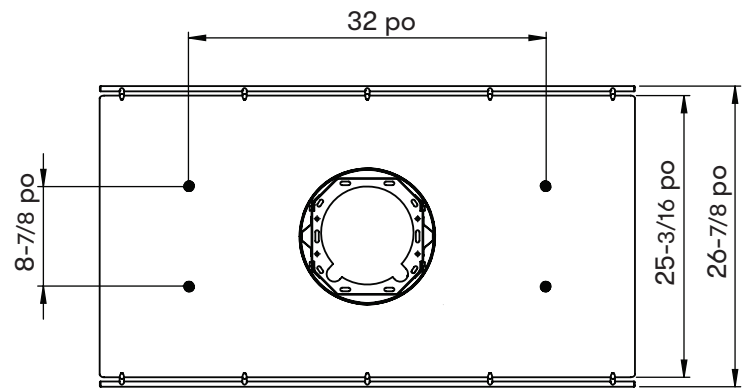


## Spécifications de la hotte

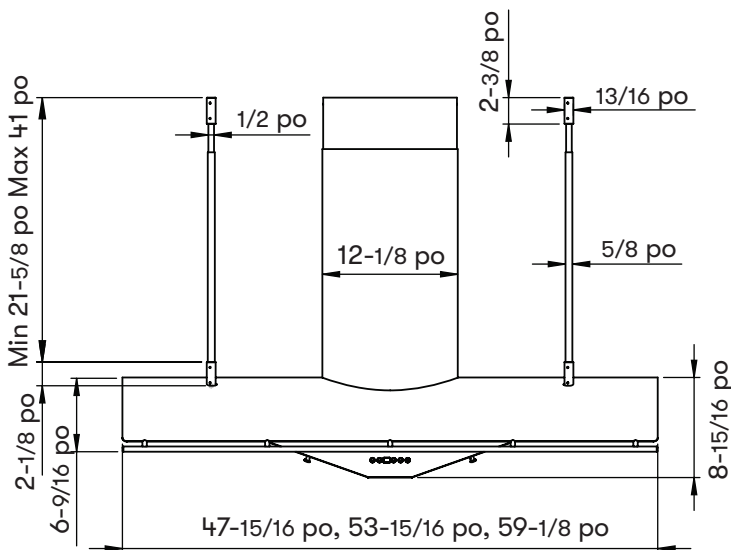
### Vue de côté



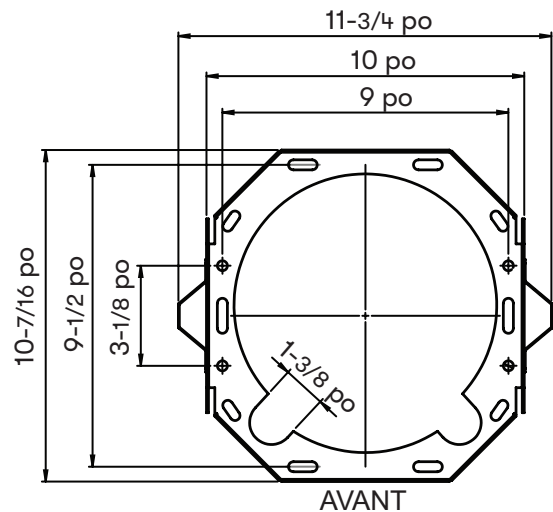
### Vue de haut



### Vue de face



### Support de plafond



# Instructions d'installation

## Fourniture électrique

**ATTENTION**

Le câblage électrique doit être effectué par des personnes qualifiées conformément à tous les codes et normes applicables.  
Cet insert doit être correctement mis à la terre. Coupez l'alimentation électrique à l'entrée de service avant le câblage.

Pour votre sécurité personnelle, retirez le fusible de la maison ou ouvrez le disjoncteur avant de commencer l'installation. N'utilisez pas de rallonge ni de fiche d'adaptateur avec cet appareil.

**Suivez les codes électriques nationaux ou les codes et règlements locaux en vigueur.**

Cet appareil nécessite une alimentation électrique de 120 V 60 Hz et est connecté à un circuit de dérivation individuel correctement mis à la terre, protégé par un disjoncteur de 15 ou 20 ampères ou un fusible temporisé. Le câblage doit être à 2 fils avec terre. Veuillez également vous référer au schéma électrique étiqueté sur le produit.

## Raccord de câble

Un connecteur de verrouillage de câble (non fourni) peut être requis par les codes locaux. Vérifiez les exigences et les codes locaux, achetez et installez le connecteur approprié si nécessaire. (FIG. A)

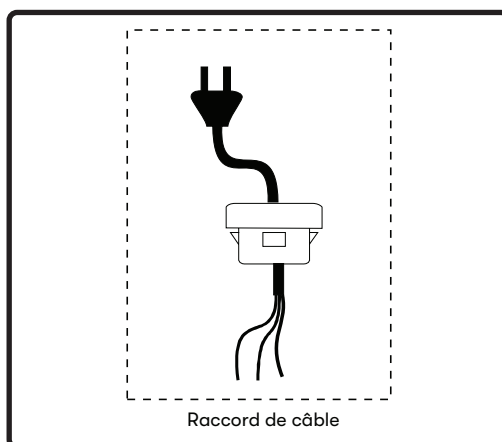
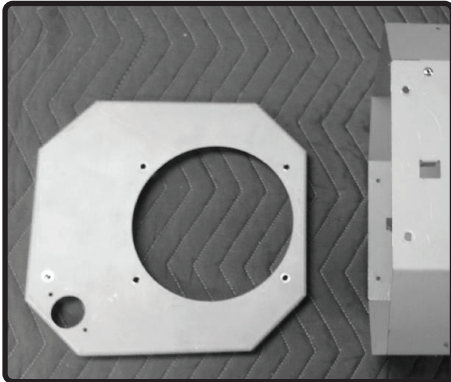


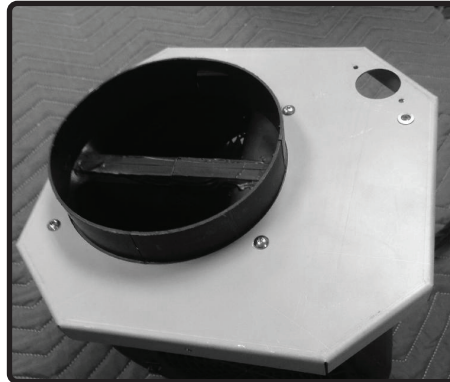
FIG. A



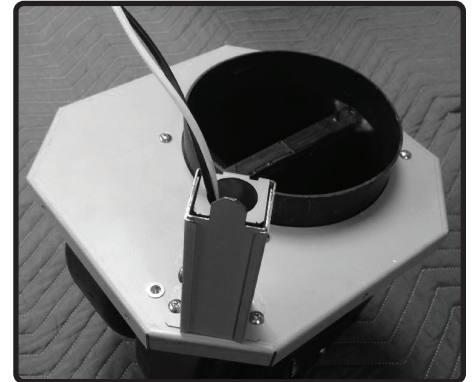
## Préparation du ventilateur interne



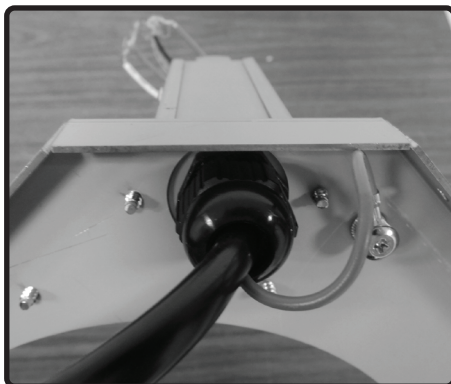
1. Retirez du boîtier du moteur la bride du ventilateur interne, fixée en place à l'aide de 6 vis.



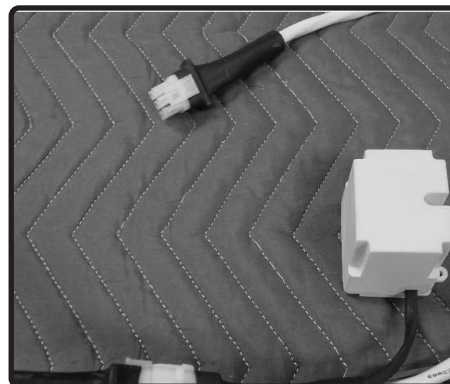
2. Fixez le ventilateur interne à la bride du ventilateur interne à l'aide de quatre vis M4\*16 (de la trousse de quincaillerie du ventilateur interne).



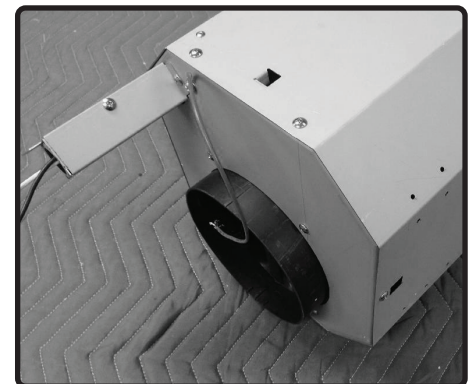
3. Fixez la boîte de raccordement c.a. à la bride du ventilateur interne avec deux vis M4\*8.



4. Fixez le fil de mise à la terre à la partie intérieure de la bride avec une vis 3/16\*3/8 screw et une rondelle.



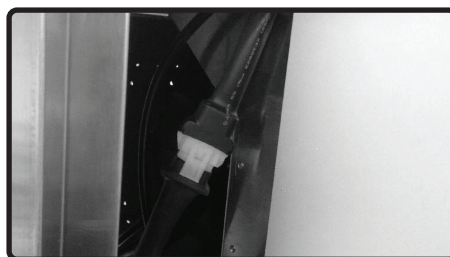
5. Branchez le connecteur Molex à neuf broches du condensateur au connecteur Molex à neuf broches du ventilateur interne.



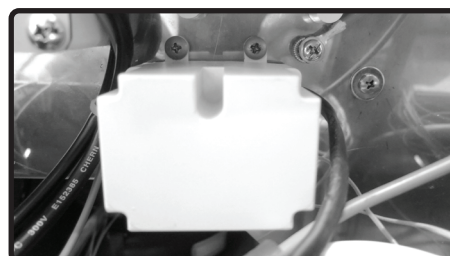
6. Fixez la bride du ventilateur interne au boîtier du moteur avec les six vis que vous avez enlevées à l'étape 1.



7. Fixez le boîtier du moteur à la hotte avec douze vis M4\*6.



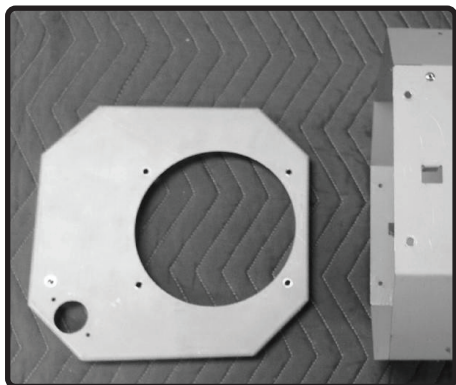
8. Branchez le connecteur Molex à six broches du câble du condensateur au connecteur Molex à six broches de la boîte de commande. Branchez la fiche à deux broches du câble c.a. dans la prise de la boîte de commande. Fixez les câbles à l'intérieur de la hotte avec les attaches en plastique et les porte-attaches.



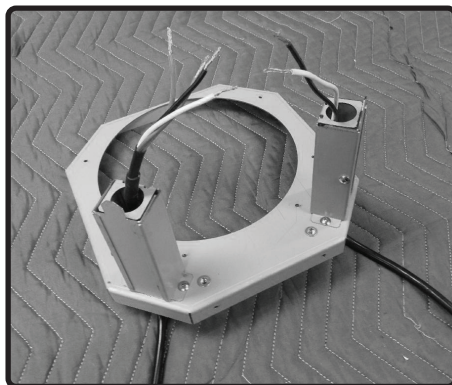
9. Fixez le condensateur à l'intérieur de la hotte avec deux vis M4\*8 et le fil de mise à la terre avec une vis 3/16\*3/8.

# Instructions d'installation

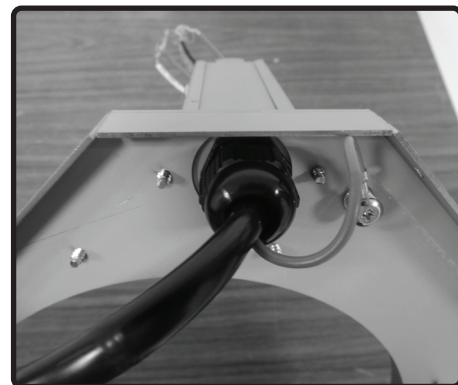
## Préparation du ventilateur à distance



1. Retirez du boîtier du moteur la bride du ventilateur à distance, fixée en place à l'aide de six vis.



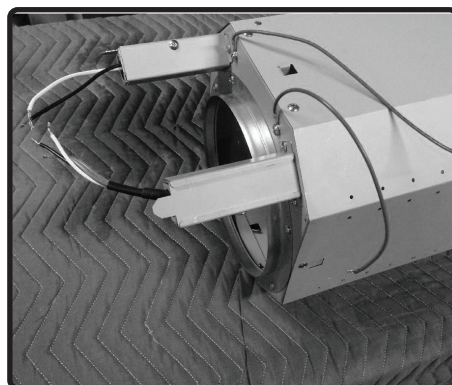
2. Fixez la boîte électrique c.a. et la boîte de raccordement du ventilateur à la bride du ventilateur à l'aide de deux vis M4\*8 chacune.



3. Fixez le fil de mise à la terre c.a. et le fil de mise à la terre du ventilateur à distance à la partie intérieure de la bride du ventilateur à distance avec une vis 3/16\*3/8 screw et une rondelle chacune.



4. Fixez le collier circulaire de départ de 8" du ventilateur à distance à la bride du ventilateur à distance avec huit vis M4\*8.



5. Fixez la bride du ventilateur à distance au boîtier du moteur à l'aide des six vis que vous avez enlevées à l'étape 1.



6. Fixez le boîtier du moteur à la hotte à l'aide de 12 vis M4\*6.



7. Branchez le connecteur Molex à six broches de la boîte de raccordement du ventilateur à distance au connecteur Molex à six broches de la boîte de commande. Branchez la fiche à deux broches du câble c.a. dans la prise de la boîte de commande. Fixez les câbles à l'intérieur de la hotte avec les attaches en plastique et les porte-attaches.

**REMARQUES:** Pour les instructions d'installation du ventilateur à distance, consultez le manuel se trouvant dans l'emballage du ventilateur à distance CBE-1000 ou PBN-1000A ou consultez notre site Web : [www.zephyronline.com](http://www.zephyronline.com).



## Montage de la hotte de cuisinière

1. Déterminez l'emplacement de montage de la hotte. Marquez les lignes médianes de l'avant vers l'arrière et de gauche à droite du placement de la hotte. Placez le gabarit en papier fourni sur le plafond et centrez les lignes centrales marquées avec les lignes centrales du gabarit.

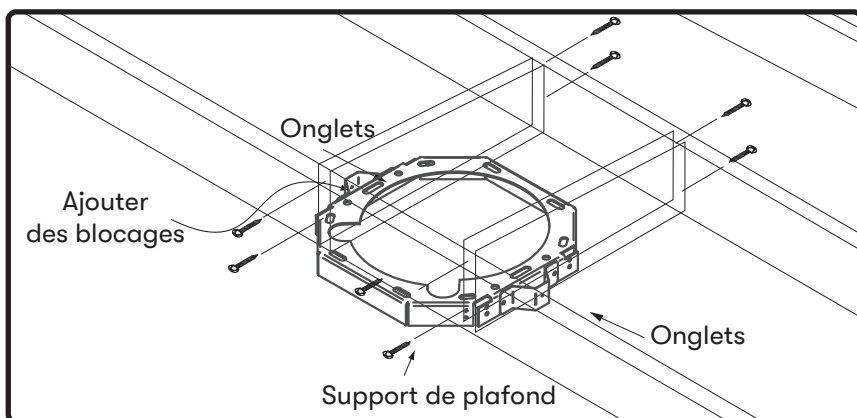
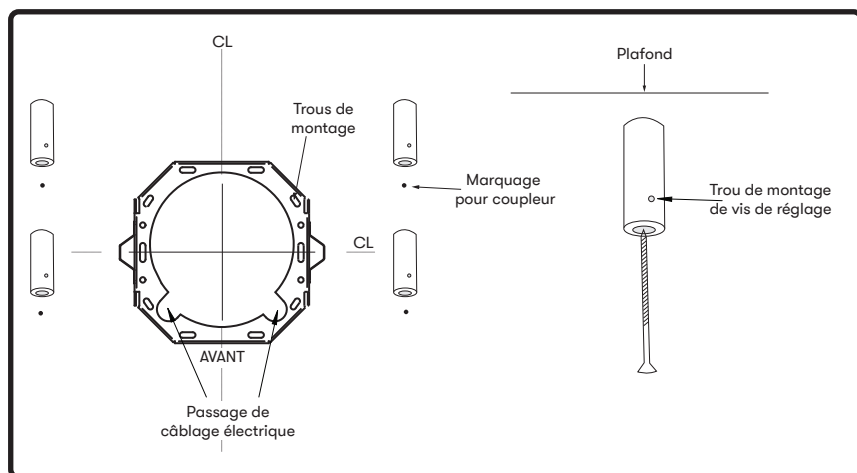
2. Marquez les trous de montage pour le support de plafond et les coupleurs de tige télescopique.

3. Découpez un trou dans le plafond pour les conduits et le passage du câblage électrique. Ajoutez et fixez des blocs de bois (au moins 2 x 4 montants) entre les solives de plafond pour le support de plafond et les coupleurs de tiges télescopiques si nécessaire. FIG. B.

4. Centrez, marquez et fixez le support de plafond au plafond à l'aide de (4) vis M4\*38 et (4) rondelles. Assurez-vous que le mot « FRONT » affiché sur le support de plafond fait face à l'avant de la hotte où les commandes seront situées. FIG. C.

5. Fixez les coupleurs de tige télescopique aux emplacements marqués au plafond à l'aide d'une (1) vis à bois #6\*2 po pour chaque coupleur. Assurez-vous que le trou de montage de la vis de réglage est vers le bas du coupleur pendant le montage. FIG. C.

6. Préparez et positionnez le câblage électrique et les conduits à travers le support de plafond.

**FIG. B****FIG. C**

# Instructions d'installation

## Montage de la hotte de cuisinière

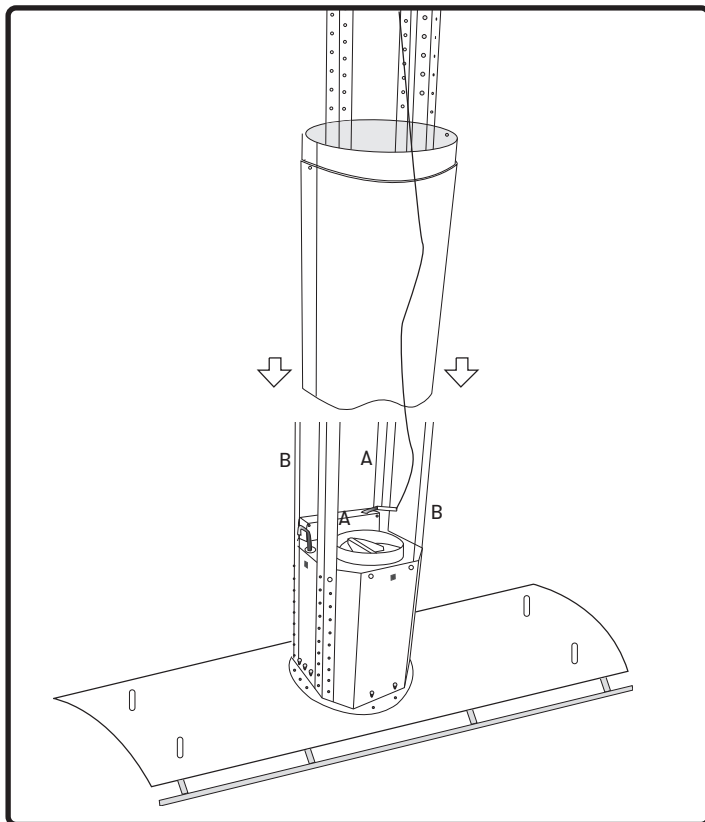


FIG. D

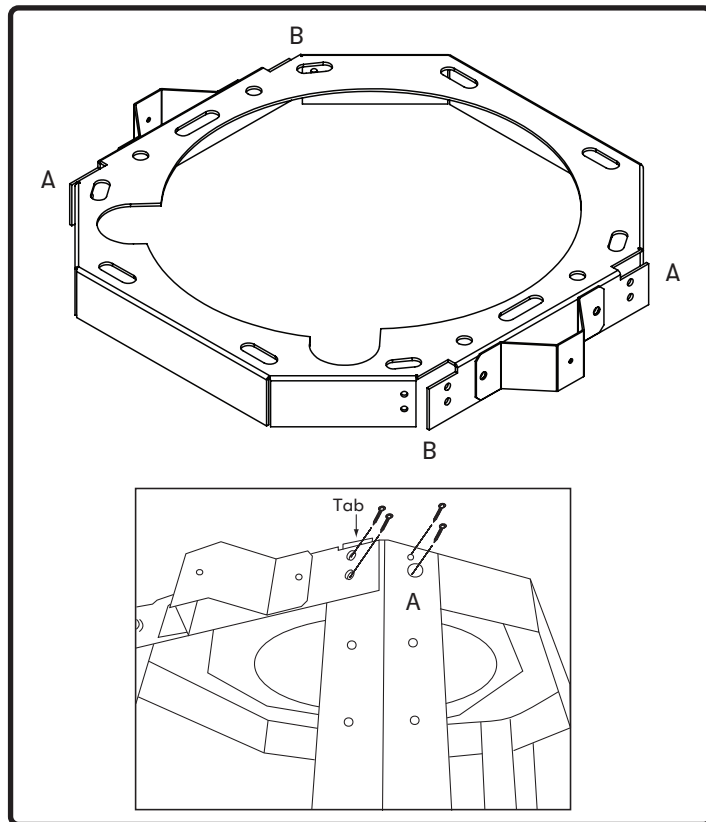


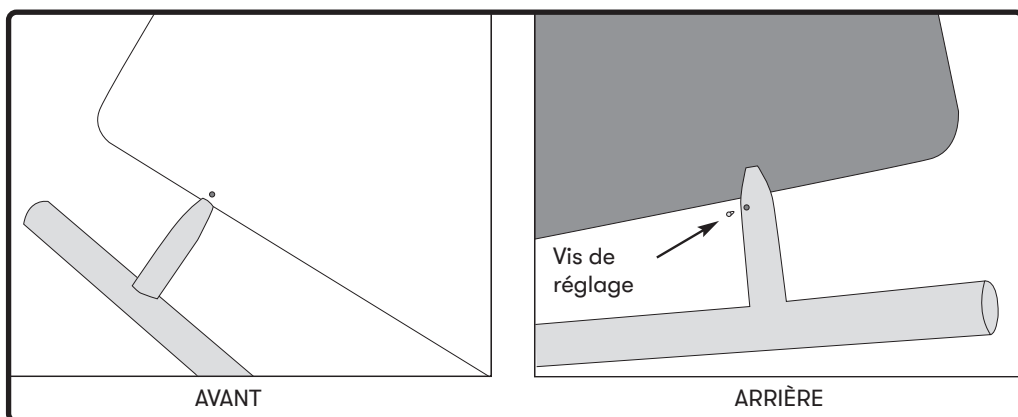
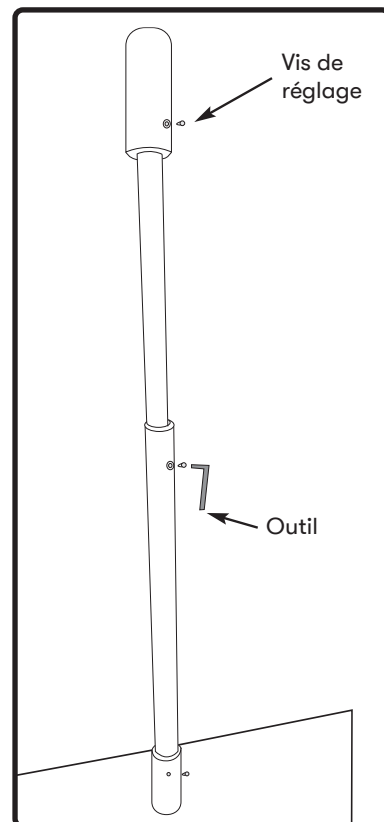
FIG. E

7. Déterminez la hauteur désirée de la hotte, mesurez et sélectionnez des supports d'angle de 27-3/8 po ou 35-3/8 po. Positionnez et fixez les équerres de type A et B au boîtier du moteur comme indiqué à l'aide de (8) vis M4\*6, (2) pour chaque équerre. FIG. D.
8. Faites glisser les couvercles des conduits sur le boîtier du moteur. Assurez-vous que le couvercle inférieur du conduit avec la découpe fait face à l'avant et à l'arrière de la hotte. FIG. D.
9. Soulevez l'unité assemblée et fixez toutes les (4) équerres au support de plafond. Assurez-vous que les languettes de chaque support d'angle s'insèrent entre les fentes du support de plafond. Une moitié du support d'angle sera à l'extérieur du support de plafond et l'autre moitié à l'intérieur du support de plafond. Fixez les équerres au support de plafond à l'aide de (16) vis M4\*6, (4) pour chaque équerre. FIG. E.
10. Connectez les conduits et le câblage électrique.
11. Faites glisser le couvercle supérieur du conduit et fixez-le au support de plafond à l'aide de (2) vis M3\*5.

## Installation de la tige télescopique et du rail à ustensiles

### Installation de la tige télescopique (FIG. F)

1. Installez la tige télescopique (extrémité la plus épaisse vers le bas) dans le coupleur sur le dessus de la hotte et fixez-la avec (1) vis de réglage M4\*4 pour chaque tige.
2. Étendez la tige télescopique intérieure au coupleur de plafond et fixez-la avec (1) vis de réglage M4 \* 4 pour chaque tige.
3. Fixez les tiges télescopiques ensemble au sommet de la tige extérieure par (1) vis de réglage M4 \* 4 pour chaque jeu de tiges.

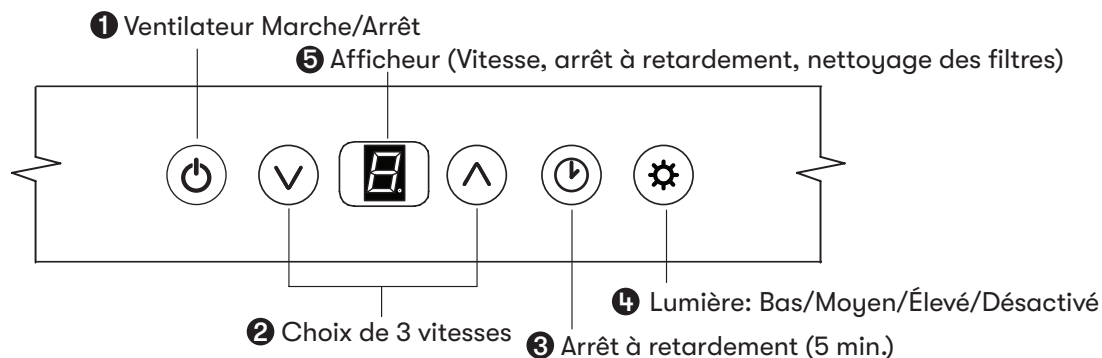
**FIG. G****FIG. F**

### Installation du rail à ustensiles (FIG. F)

1. Fixez le rail à ustensiles sur le côté long de l'auvent de la hotte. Un petit trou a été pré-percé dans la canopée pour fournir un point de départ pour attacher le premier poteau de rail d'ustensiles. Une fois le premier poteau aligné avec le trou, glissez doucement le reste du rail sur la verrière. Soyez prudent et veillez à ne pas rayer l'acier inoxydable de la canopée lors de cette étape.
2. Fixez le rail à ustensiles à l'auvent de la hotte à l'aide d'une (1) vis de réglage M4 \* 4 pré-installée dans chaque poteau. Répétez l'étape pour l'autre côté de la verrière.

# Fonctionnalités et commandes





## Commandes tactiles





### 1. Ventilateur : Marche/Arrêt

Appuyez sur  pour allumer ou éteindre le ventilateur. Lorsque vous l'allumez, le ventilateur se met en marche à la vitesse 1.


### 2. Choix de vitesse

- Appuyez sur  pour diminuer la vitesse du ventilateur. 3, 2, 1.
- Si le ventilateur est à la vitesse 1 et que  est enfoncé, le ventilateur s'éteint.
- Appuyez sur  pour augmenter la vitesse du ventilateur. Ventilateur activé, 1, 2, 3.
- Si le capot est éteint et que  est enfoncé, le ventilateur se met en marche à la vitesse 1

### 3. Arrêt à retardement

Cette fonction est utilisée pour programmer l'arrêt automatique du ventilateur et des lumières 5 minutes après son activation. Lorsque vous appuyez une fois sur , un point clignote dans la partie inférieure droite de l'afficheur  pour vous confirmer que la fonction a été activée. La hotte s'éteint complètement après 5 minutes.

### 4. Lumières: faible/élevée/éteinte


Allumez les lumières à faible en appuyant une fois sur , appuyez une deuxième fois pour moyen, appuyez une troisième fois pour haute et appuyez à nouveau pour éteindre les lumières.

### 5. Afficheur


L'écran de l'afficheur indique la vitesse de ventilateur choisie ainsi que certaines fonctions, comme le rappel de nettoyage des filtres déflecteurs, l'arrêt automatique et la fonction de purification d'air.




## Commandes tactiles

### Indicateur de nettoyage des filtres déflecteurs

Un ensemble de filtres déflecteurs est installé par le fabricant. Ces filtres déflecteurs ont pour fonction de filtrer les résidus de cuisson. Ils ne nécessitent aucun remplacement sur une base régulière, mais ils doivent être gardés propres. La fonction de rappel de nettoyage des filtres du microprocesseur indique automatiquement, à l'aide de l'icône clignotante , quand les filtres doivent être nettoyés (toutes les 60 heures d'utilisation). Les filtres peuvent être nettoyés à la main, avec du détergent non abrasif, ou au lave-vaisselle. Pour les filtres très sales, il est recommandé de les faire tremper dans un détergent pour graisse avant de procéder au nettoyage normal.

### Indicateur de nettoyage des filtres déflecteurs





Lorsque l'icône  se met à clignoter sur l'afficheur, les filtres déflecteurs doivent être nettoyés, car 60 heures d'utilisation se sont écoulées.

Une fois que les filtres ont été nettoyés et réinstallés, réinitialisez l'indicateur de nettoyage des filtres (avec la hotte hors tension). Lorsque la hotte est éteinte,  appuyez environ 5 secondes sur la touche  jusqu'à ce que l'icône  disparaisse. La fonction de rappel de nettoyage des filtres est maintenant réinitialisée et un nouveau cycle de 60 heures commence.

### Fonction de purification d'air

La fonction de purification d'air fait en sorte que le ventilateur s'allume à vitesse basse toutes les quatre heures pour évacuer l'air stagnant de la cuisine. Cette fonction, désactivée par défaut, doit être activée par l'utilisateur.

### Indicateur de la fonction de purification d'air

Lorsque la fonction de purification d'air (Clean Air) est activée, les icônes , ,  et  apparaissent à l'écran de l'afficheur.

Après dix minutes de fonctionnement, le ventilateur s'éteint et le chronomètre de quatre heures est réinitialisé.

Si la vitesse du ventilateur est changée lors de l'utilisation de la fonction d'air pur, le cycle est interrompu et la minuterie repart ensuite à zéro.

#### Nettoyage des filtres

L'icône <F> clignote



#### Pour réinitialiser

Appuyez 5 secondes



Afficheur passe de <F> à <>



#### Pour activer la fonction

Appuyez 3 secondes L'icône <A> clignote



#### Pour désactiver la fonction

Appuyez 3 secondes



L'icône de l'afficheur passe de <F> à <>



# Fonctionnalités et commandes

## Télécommande RF en option


### Attention FCC

Pour assurer la conformité continue, tout changement ou modification non expressément approuvé par la partie responsable de la conformité peut annuler le droit de l'utilisateur à utiliser cet équipement. (Exemple - utilisez uniquement des câbles d'interface blindés lors de la connexion à un ordinateur ou à un périphérique. Cet appareil est conforme à la partie 15 des règles FCC. Son fonctionnement est soumis aux deux conditions suivantes. (1) Cet appareil ne doit pas causer d'interférences nuisibles, et (2) Cet appareil doit accepter toute interférence reçue, y compris les interférences susceptibles de provoquer un fonctionnement indésirable.

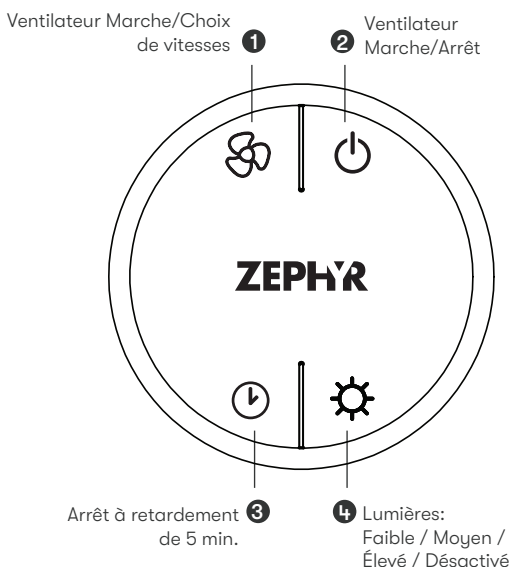
### Synchronisation

Pour créer un lien unique entre votre liner et la télécommande, veuillez suivre ces étapes.


1. Avec la doublure éteinte, appuyez et maintenez le bouton «lumières» sur la doublure jusqu'à ce que la lettre «F» apparaisse sur l'écran d'affichage.

2. Appuyez  de la télécommande, les lumières sur la doublure s'allumeront et la synchronisation est terminée.



### Fonctions de la télécommande RF





#### ① Ventilateur Allumer/Choix de vitesses

Appuyez sur  pour mettre le ventilateur en marche et choisir l'une des trois vitesses de fonctionnement.


#### ② Ventilateur Marche/Arrêt

Appuyez sur  pour allumer le ventilateur à la vitesse à laquelle il fonctionnait lorsque vous l'avez éteint. Appuyez de nouveau sur  et toutes les fonctions de l'appareil s'éteignent, y compris les lumières.

#### ③ Arrêt à retardement

Appuyez sur  pour activer la fonction d'arrêt à retardement du ventilateur et des lumières. Un point clignotera dans la partie inférieure droite de l'afficheur  pour vous confirmer que la fonction a été activée. La hotte passera à la vitesse 1 et s'éteindra après 5 minutes.

#### ④ Lumières: Faible / Moyen / Élevé / Désactivé

Basculez les lumières sur Low en appuyant une fois sur , une deuxième fois pour Medium, une troisième fois pour High, et à nouveau pour éteindre.

## Télécommande RF en option

### Caractéristiques de la télécommande RF

La télécommande RF est équipée d'un aimant à l'arrière pour un rangement facile. La télécommande peut être placée sur n'importe quelle surface magnétique telle qu'un réfrigérateur ou le support de télécommande Zephyr, FIG. H. Le support à distance peut être inséré dans une prise électrique standard pour un rangement facile. Remarque: le support de télécommande ne charge pas la télécommande RF.

La distance de communication maximale de la télécommande est de 15 pieds de la doublure.

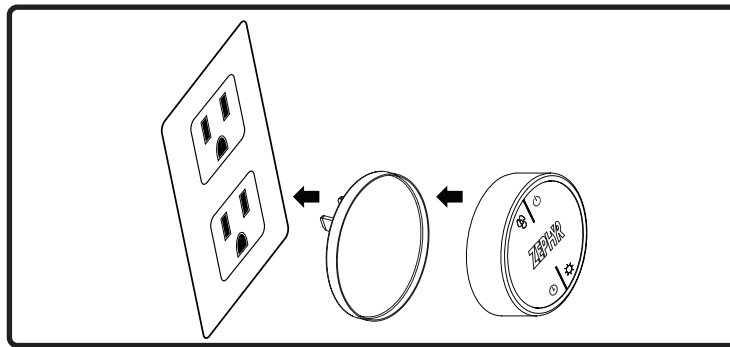


FIG. H

### Maintenance à distance RF

Nettoyez la télécommande avec des détergents non abrasifs.

Suivez les instructions ci-dessous pour remplacer la batterie. À l'aide d'un petit tournevis à tête plate, soulevez le couvercle du logement des piles (A) pour accéder au compartiment des piles. FIG. I.

Retirez la batterie et remplacez-la par une batterie de type A23 12V. L'extrémité négative de la pile doit faire face au ressort à l'intérieur de la télécommande.

Réinstallez le couvercle de la batterie et recyclez l'ancienne batterie.

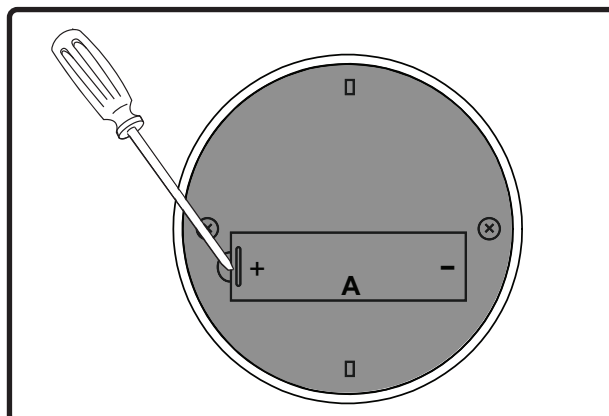


FIG. I

# Entretien

## Nettoyage de la hotte et du filtre à graisse

### Entretien de surface

- ▶ N'utilisez pas de détergents corrosifs, de détergents abrasifs ou de nettoyeurs pour four.
- ▶ N'utilisez aucun produit contenant un agent de blanchiment chloré ou un produit contenant du chlorure.
- ▶ N'utilisez pas de laine d'acier ou de tampons à récurer abrasifs qui pourraient rayer et endommager la surface.

### Nettoyage du panneau en acier inoxydable

Nettoyez périodiquement avec de l'eau chaude savonneuse et un chiffon en coton propre ou un chiffon en microfibres. Frottez toujours dans le sens du grain de l'acier inoxydable. Pour éliminer les accumulations de graisse plus lourdes, utilisez un détergent dégraissant liquide.

Après le nettoyage, utilisez un produit de polissage / nettoyant pour acier inoxydable non abrasif pour polir et polir le lustre et le grain de l'acier inoxydable. Frottez toujours légèrement avec un chiffon en coton propre ou en microfibres et polissez dans le sens du grain de l'acier inoxydable.

### Nettoyage du filtre à graisse

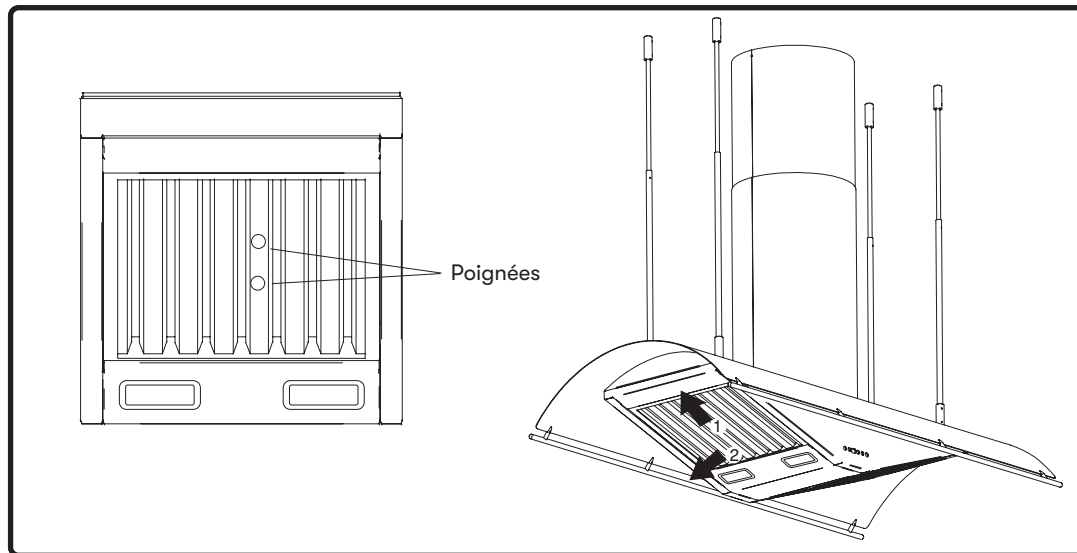
Le filtre à graisse installé en usine est destiné à filtrer les résidus et les graisses de cuisson. Ils n'ont pas besoin d'être remplacés régulièrement mais doivent être maintenus propres.

Retirer et nettoyer à la main ou au lave-vaisselle avec un détergent sans phosphate. Une décoloration du filtre à graisse peut se produire si vous utilisez des détergents phosphatés ou en raison des conditions locales de l'eau - mais cela n'affectera pas les performances du filtre. Cette décoloration n'est pas couverte par la garantie. Vaporiser un détergent dégraissant et laisser tremper s'il est très sale. Séchez le filtre à graisse et réinstallez-le avant d'utiliser hotte.



**Retrait du filtre à graisse (FIG. J)**

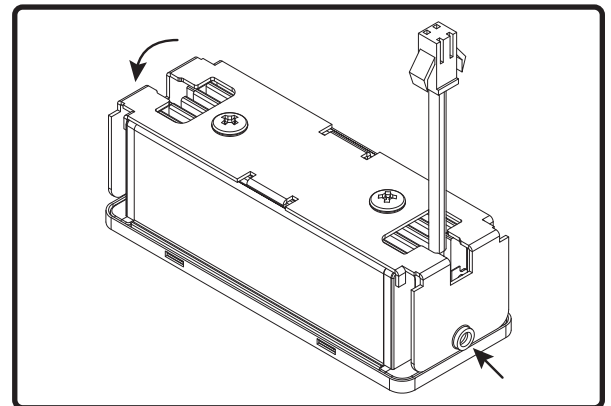
1. Poussez le filtre à graisse loin du centre de la hotte à l'aide des poignées.
2. Faites pivoter l'arrière du filtre vers le bas.
3. Retirez le filtre en tirant vers le bas et loin de la hotte.

**FIG. J****LumiLight LED pivotante**

Dans le cas peu probable où votre LumiLight LED pivotante tomberait en panne, veuillez contacter Zephyr pour commander des pièces de rechange. Consultez la page Liste des pièces et accessoires pour les numéros de pièces et les coordonnées.

**Retrait de LED (FIG. K)**

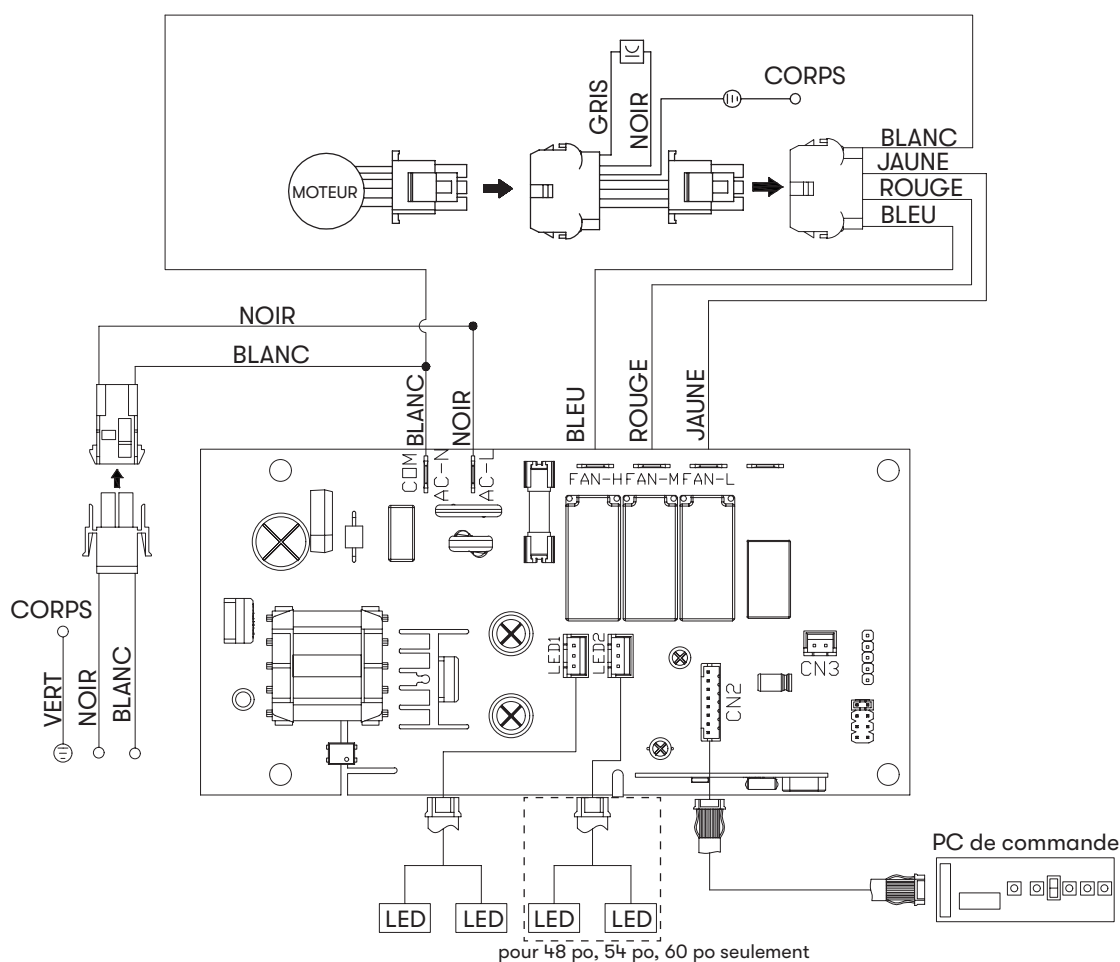
1. Retirez les filtres à graisse.
2. (Le cas échéant) retirez les deux panneaux d'espacement latéraux à l'aide de 2 vis pour chaque panneau d'espacement.
3. Retirez les vis du panneau lumineux.
4. Débranchez le connecteur rapide de la lumière LED.
5. Retirez (2) vis des côtés par lumière LED.
6. Poussez la lumière LED à travers l'ouverture du panneau lumineux.

**FIG. K**

# Schéma de câblage

CTP-E36/48/54/60CSX	Volts	HZ	Ampérage maximal
	120	60	CBI-290C 0.8 CBI-390A 2.1 CBI-600A 2.6

## Schéma de câblage du ventilateur interne

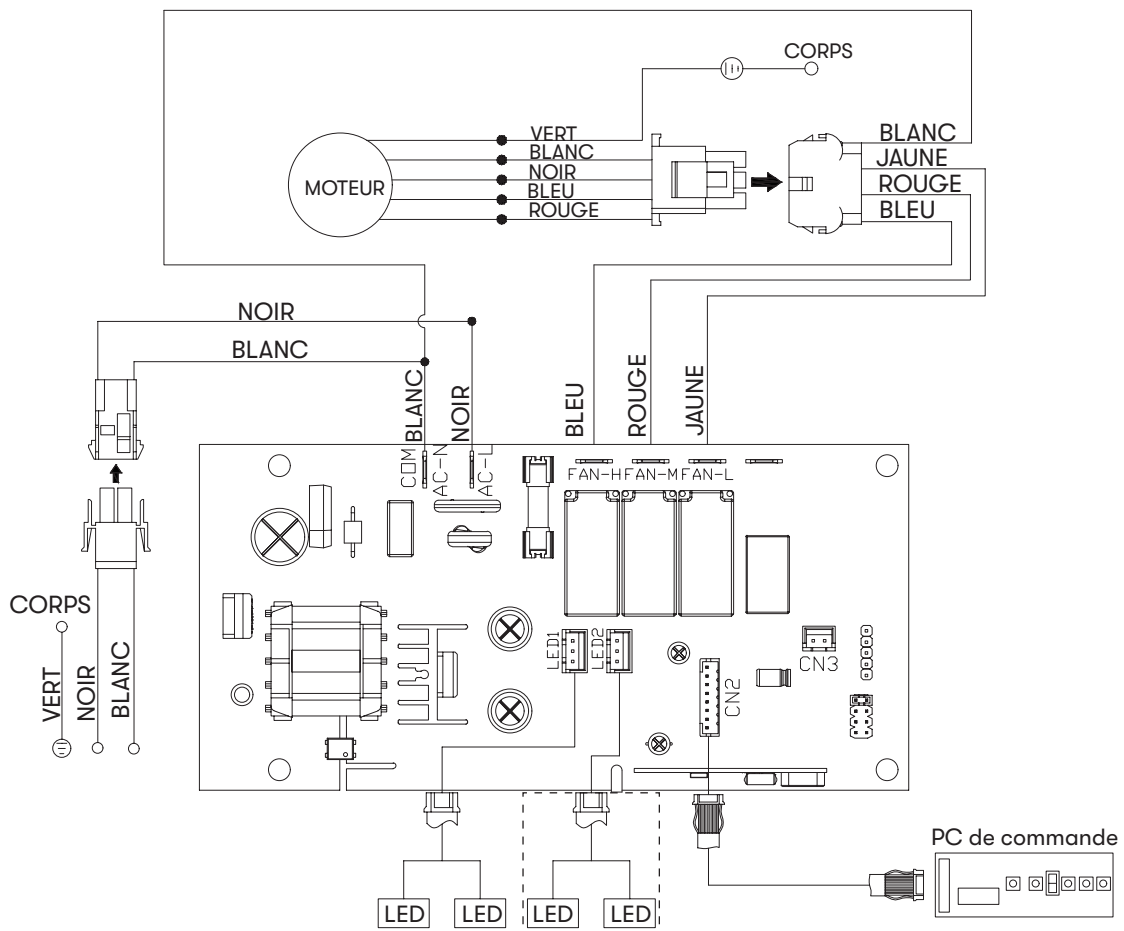


pour 48 po, 54 po, 60 po seulement

Remarques : Condensateur 3uF 250VCA ADAPTÉ CA120V 60Hz (CBI-290A)  
Condensateur 25uF 250VCA ADAPTÉ CA120V 60Hz (CBI-390A/CBI-600A)

CTP-E36/48/54/60CSX	Volts	HZ	Ampérage maximal
	120	60	CBE-1000 6.2 PBN-1000A 5.1

## Schéma de câblage du ventilateur à distance



pour 48 po, 54 po, 60 po seulement

Remarques : Condensateur 15uF 370VCA ADAPTÉ CA120V 60Hz (CBE-1000)  
Condensateur\*2 25uF 250VCA ADAPTÉ CA120V 60Hz (PBN-1000A)

# Dépannage

Problème possible	Cause possible	Solutions
Après l'installation, l'appareil ne fonctionne pas.	La source d'alimentation n'est pas allumée.	Assurez-vous que le disjoncteur et l'alimentation de l'unité sont allumés.
	La ligne électrique et le connecteur de verrouillage du câble ne se connectent pas correctement.	Vérifiez que la connexion d'alimentation avec l'unité est correctement connectée.
	Les câblages du tableau de commande et du tableau de commande sont déconnectés.	Assurez-vous que les câblages entre le tableau de commutation et le tableau de commande sont correctement connectés.
	Le tableau de commande ou le tableau de commande est défectueux.	Changer le tableau de commande ou le tableau de commande.
La lumière fonctionne, mais le ventilateur ne tourne pas.	Le faisceau de câbles du ventilateur externe ou interne est peut-être déconnecté.	Assurez-vous que les fils sont connectés au boîtier du tableau de commande.
	Le système de protection thermique détecte si le ventilateur est trop chaud pour fonctionner et arrête le ventilateur.	Le ventilateur fonctionnera correctement après le refroidissement du système de protection thermique.
	Condensateur endommagé.	Changer le condensateur.
	La broche de la prise molex du ventilateur n'établit pas de contact.	Débranchez la prise molex du ventilateur, vérifiez les broches à l'intérieur de la prise pour voir si la broche est enfoncée trop loin à l'intérieur de la prise. Réinitialiser la broche si nécessaire.
	Le ventilateur est défectueux, éventuellement grippé.	Changer le souffleur.
L'appareil vibre.	Le ventilateur n'est pas fixé en place.	Serrez le ventilateur en place.
	Roue de soufflante endommagée.	Remplacez le ventilateur.
	Le capot n'est pas fixé en place.	Vérifiez l'installation de la hotte.
L'appareil siffle.	Un filtre n'est pas dans la bonne position.	Ajustez les filtres jusqu'à ce que le sifflement s'arrête.
	Les raccords des tuyaux de conduit ne sont pas scellés ou connectés correctement.	Vérifiez les connexions des tuyaux de conduit pour vous assurer que toutes les connexions sont correctement scellées.

Problème possible	Cause possible	Solutions
Le ventilateur fonctionne, mais pas les lumières.	Le connecteur de la lumière LED est déconnecté.	Connectez le connecteur de la lumière LED.
	Lumière LED défectueuse.	Changer la lumière LED.
La hotte ne s'évacue pas correctement.	Utiliser la mauvaise taille de conduit.	Changez le conduit à au moins 6 po ou plus pour le ventilateur interne et 8 po ou plus pour le ventilateur externe.
	La hotte peut être suspendue trop haut à la table de cuisson.	Ajustez la distance entre la table de cuisson et le bas de la hotte dans une plage de 24 po et 36 po.
	Le vent provenant des fenêtres ouvertes ou des portes ouvertes dans la zone environnante affecte la ventilation de la hotte.	Fermez toutes les fenêtres et portes pour éliminer le flux de vent extérieur.
	Blocage dans l'ouverture du conduit ou dans le réseau de conduits.	Retirez tous les blocages des conduits ou de l'ouverture des conduits.
	Il y a trop de tours dans le conduit.	Limitez le nombre de tours et/ou augmentez la taille du conduit.
Le filtre vibre.	Le filtre est lâche.	Ajustez ou changez le filtre.
La télécommande RF ne fonctionne pas.	La batterie est morte.	Remplacez la batterie par du type A23 12v.
	Mauvaise communication avec la hotte.	La télécommande doit être à moins de 15 pi de la hotte.
	La télécommande RF a perdu la communication avec la hotte.	Réinitialiser la hotte et la télécommande en coupant le courant au disjoncteur pendant 5 minutes. Placez la télécommande sur le comptoir près de la hotte et remettez le disjoncteur en marche.

# Liste des pièces et accessoires

La description	Numéro d'article
<b>Pièces de rechange</b>	
Filtre à chicane (chacun)	50210039
LumiLight LED pivotante, 6W	ZOB0052
<b>Accessoires optionnels</b>	
Rallonge de couvercle de conduit	Z1C-00TP
Ventilateur interne simple	CBI-290C / CBI-600A
Ventilateur externe	CBE-1000
Ventilateur en ligne	PBN-1000A
Télécommande RF	14000005

Pour commander des pièces, visitez-nous en ligne à <http://store.zephyronline.com>.

**POUR OBTENIR UN SERVICE SOUS GARANTIE OU POUR TOUTES QUESTIONS LIÉES AU SERVICE****Les clients des États-Unis doivent appeler le: 1-888-880-8368 ou nous contacter à: [zephyronline.com/contact](http://zephyronline.com/contact)****Clients du Canada, veuillez appeler: 1-800-361-0799 ou par courriel: [service@distinctive-online.com](mailto:service@distinctive-online.com)**

Zephyr Ventilation, LLC (désigné aux présentes sous le nom de « nous ») garantit au premier acheteur (désigné aux présentes sous le nom de « vous » ou « votre ») de produits Zephyr (les « Produits ») que lesdits produits sont exempts de défauts de fabrication ou de main-d'œuvre selon les conditions suivantes :

**Garantie de trois ans sur les pièces :** Garantie de trois ans à partir de la date d'achat originale du Produit. Nous fournirons sans frais les Produits ou les pièces (y compris les ampoules LED, le cas échéant) de remplacement qui comportaient des défauts de fabrication. Nous pourrions choisir, à notre seule discrétion, de réparer ou de remplacer des pièces avant de prendre la décision de remplacer le Produit.

**Garantie limitée d'un an sur la main-d'œuvre :** Garantie d'un an à partir de la date d'achat originale du Produit. Nous couvrirons sans frais les frais de main-d'œuvre afférents à la réparation du Produit ou des pièces de remplacement qui comportaient des défauts de fabrication. Un an après la date d'achat originale, vous serez responsable de tous les frais de main-d'œuvre associés à la présente garantie.

**Exclusions de la garantie :** Cette garantie ne couvre que la réparation ou le remplacement, à notre gré, de pièces ou de Produits défectueux et ne couvre aucun autre coût afférent aux Produits, dont, sans s'y limiter, les frais liés : (a) à l'entretien normal des Produits et au remplacement des pièces consommables, comme les fluorescent, incandescence ou halogène ampoules, les filtres métalliques, les filtres à charbon et les fusibles; (b) à tout Produit ou pièce ayant été endommagé durant le transport ou étant le résultat d'un mauvais usage, d'une négligence, d'un accident, d'une installation incorrecte ou ne respectant pas les notices d'installation recommandées, d'un entretien ou d'une réparation inapproprié (dont ne nous sommes pas responsables); (c) à une utilisation commerciale ou ne correspondant pas à l'utilisation pour laquelle les Produits sont conçus; (d) à l'usure naturelle du fini, à l'usure due à un entretien inadéquat, à l'utilisation de produits nettoyants corrosifs ou abrasifs, de tampons nettoyeurs et de produits de nettoyage pour le four; (e) aux éclats, entailles ou fissures résultant d'un abus ou d'une mauvaise utilisation du Produit; (f) aux déplacements d'un technicien de service à votre domicile pour vous montrer comment utiliser les Produits; (g) aux dommages causés par un accident, un incendie, une inondation, un cas fortuit; ou (h) Les installations personnalisées ou modifications qui ont un impact sur la maintenabilité du Produit. Si vous vous trouvez à l'extérieur du territoire que nous desservons, des frais supplémentaires pourraient s'appliquer pour la livraison des produits à nos points de service désignés pour une réparation sous garantie ou vous pourriez avoir à déboursier les frais de déplacement du technicien à votre domicile pour que le Produit soit réparé, enlevé ou réinstallé. Un an après la date d'achat originale du Produit, vous êtes également responsable de tous les frais de main-d'œuvre associés à la présente garantie.

**Restrictions de la garantie. NOTRE OBLIGATION DE RÉPARER OU DE REMPLACER, À NOTRE GRÉ, LE PRODUIT CONSTITUE VOTRE SEUL ET UNIQUE RECOURS SOUS LA PRÉSENTE GARANTIE. NOUS NE NOUS PORTONS PAS RESPONSABLES POUR TOUT DOMMAGE INDIRECT, ACCESSOIRE OU PARTICULIER RÉSULTANT OU AYANT UN LIEN AVEC L'UTILISATION OU LE RENDEMENT DES PRODUITS. LES GARANTIES EXPRESSES DE LA SECTION PRÉCÉDENTE SONT EXCLUSIVES ET TIENNENT LIEU DE TOUTE AUTRE GARANTIE EXPRESSE. PAR LES PRÉSENTES, NOUS REJETONS ET EXCLUONS TOUTE AUTRE GARANTIE EXPRESSE POUR LES PRODUITS ET TOUTES LES GARANTIES TACITES PRÉVUES PAR LA LOI, DONT CELLES RELATIVES À LA QUALITÉ MARCHANDE OU À L'ADÉQUATION DU PRODUIT POUR UNE UTILISATION PARTICULIÈRE.** Certains États ou provinces n'autorisent pas les restrictions sur la durée d'une garantie implicite ou l'exclusion ou la restriction des dommages indirects ou accessoires; par conséquent, les exclusions et restrictions mentionnées ci-dessus pourraient ne pas s'appliquer à votre cas. Dans la mesure où une loi applicable interdit l'exclusion de garanties implicites, la durée de toute garantie implicite applicable se limite à la période de deux ans décrite ci-dessus. L'unique objectif de toute description orale ou écrite est de présenter les Produits et celle-ci ne devrait pas être interprétée comme une garantie expresse. Avant d'utiliser ou de permettre l'utilisation des Produits, vous devrez déterminer si les Produits conviennent aux utilisations prévues et vous devrez assumer tout risque et toute responsabilité relatifs à ces utilisations. Nous nous réservons le droit d'utiliser des pièces reconstruites ou remises à neuf pour remplacer l'une des fonctionnalités dans le cadre de la présente garantie ou de l'une des parties de la présente garantie. L'acheteur original ne peut transférer la présente garantie et celle-ci n'est valide qu'aux États-Unis et au Canada.

**Pour obtenir du service sous la garantie :** Pour avoir droit à du service sous garantie, vous devez : (a) nous avertir en utilisant l'adresse ou le numéro de téléphone inscrit ci-dessous dans les soixante jours suivant la détection du défaut; (b) donner le numéro du modèle, le numéro d'identification de la pièce ainsi que le numéro de série; et (c) décrire la nature de tout défaut de la pièce ou du Produit. Au moment de faire la demande de service sous garantie, vous devrez présenter votre preuve d'achat et la preuve de la date d'achat originale. Si nous déterminons que les exclusions de la garantie énumérées ci-dessus s'appliquent ou si vous vous trouvez dans l'incapacité de nous fournir la documentation nécessaire pour obtenir du service, vous serez responsable de tous les frais d'expédition, de déplacement, de main-d'œuvre ou de tout autre coût afférent au service.

Veuillez consulter notre site Web au [www.zephyronline.com](http://www.zephyronline.com) pour savoir si des révisions ont été apportées à la garantie.

**Zephyr, 2277 Harbor Bay Parkway, Alameda, CA 94502**

# Enregistrement du produit

Nous vous félicitons d'avoir acheté un produit Zephyr. Veuillez prendre un moment pour enregistrer votre nouveau produit au [www.zephyronline.com/registration](http://www.zephyronline.com/registration)

## C'EST IMPORTANT

Cet enregistrement rapide est utile à bien des égards.

- Il assure la couverture de votre garantie si vous avez besoin de service après-vente.
- À des fins d'assurance, il permet de confirmer que vous êtes le propriétaire.
- Il vous permet de recevoir des avis concernant des modifications ou des rappels de produits.



Zephyr Ventilation | 2277 Harbor Bay Pkwy. | Alameda, CA 94502 | 1.888.880.8368