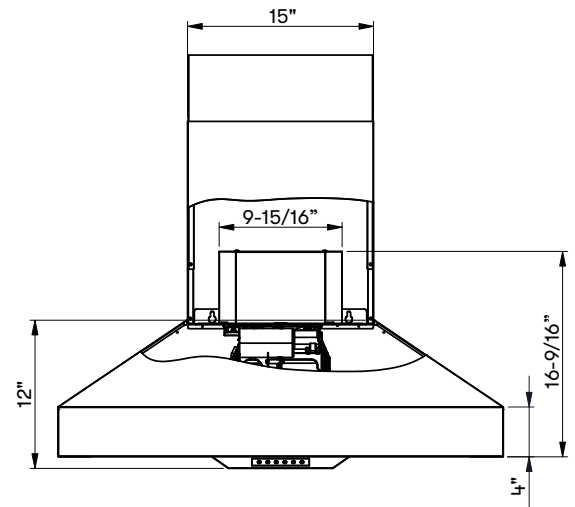
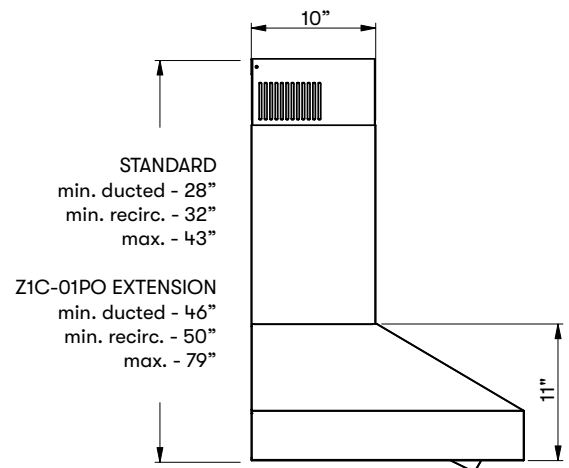


ACT™

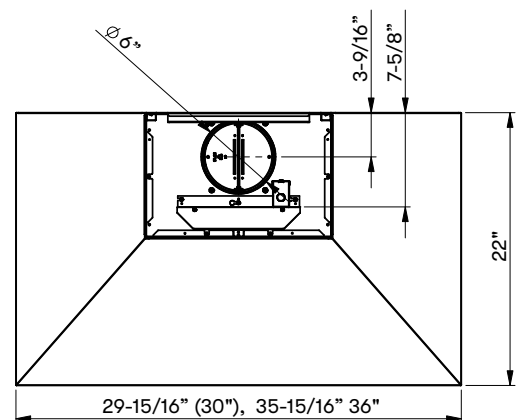
	INTERNAL BLOWER STANDARD	INTERNAL BLOWER with ACT™ AIRFLOW CONTROL TECHNOLOGY™*	
Min. - Max. CFM	200 - 600	200 - 390	200 - 290
Min. - Max. Sones	1 - 6	*AIRFLOW CONTROL TECHNOLOGY™ (ACT™) is an exclusive feature built into specific Zephyr hoods which can limit the maximum blower CFM to meet local code requirements.	



FRONT



SIDE



TOP

MODEL		
Stainless Steel Size	ZPO-E30AS 30"	ZPO-E36AS 36"
BLOWER PERFORMANCE		
Blower CFM (Min. - Max.)	200 - 600	200 - 600
Sones (Min. - Max.)	1 - 6	1 - 6
ACT 390 CFM (Min. - Max.)	200 - 390	200 - 390
ACT 290 CFM (Min. - Max.)	200 - 290	200 - 290
FEATURES		
ACT™ Technology	390, 290	390, 290
Controls	Electronic Touch	Electronic Touch
Speed Levels	3*	3*
Auto Delay-Off	Yes	Yes
Lighting	LED, 5W x2	LED, 5W x2
Dual-Level Lighting	Yes	Yes
Filters	Hybrid Baffle x2	Hybrid Baffle x2
Recirculating Option	Yes	Yes
Duct Cover Extension Option	Yes	Yes
DUCT SPECIFICATIONS		
Vertical Internal Blower	6" Round	6" Round
Horizontal Internal Blower	NA	NA
AC POWER	120V, 60Hz at Max. 3A	120V, 60Hz at Max. 3A
OPTIONAL ACCESSORIES		
Wireless Remote Control	14000010	14000010
Recirculating Kit	ZRC-00PO	ZRC-00PO
Duct Cover Extension	Z1C-01PO	Z1C-01PO
Stainless Steel Telescopic Backsplash	AK1710	AK1716
Make-Up Air Kit	MUA006A	MUA006A
MOUNTING HEIGHT RANGE**	24" - 34"	24" - 34"
WARRANTY	2 years parts, 1 year labor	2 years parts, 1 year labor

CEILING HEIGHT		8'	8.5'	9'	9.5'	10'	10.5'	11'	12'
STANDARD DUCT COVER	Ducted Mounting Height**	24" - 32"	24" - 34"	28.5" - 34"	NA	NA	NA	NA	NA
	Recirc Mounting Height**	24" - 28"	24" - 34"	28.5" - 34"	NA	NA	NA	NA	NA
EXTENSION DUCT COVER	Ducted Mounting Height**	NA	NA	24" - 26"	24" - 32"	24" - 34"	24" - 34"	24" - 34"	33" - 34"
	Recirc Mounting Height**	NA	NA	NA	24" - 28"	24" - 34"	24" - 34"	24" - 34"	33" - 34"

\*When ACT™ is enabled the maximum speed levels will change. ACT 390 CFM = 3 speeds and ACT 290 CFM = 2 speeds.

\*\*Mounting height refers to distance between top of a 36" tall cooking surface and bottom of hood.

**ACT™** - Airflow Control Technology™ (ACT™) is an exclusive feature built into specific Zephyr hoods which can limit the maximum blower CFM to meet local code requirements.

Specifications subject to change, check zephyronline.com for up-to-date information.  
Zephyr Ventilation | 2277 Harbor Bay Parkway, Alameda, CA 94502 | 888.880.VENT

DEC23.0101

