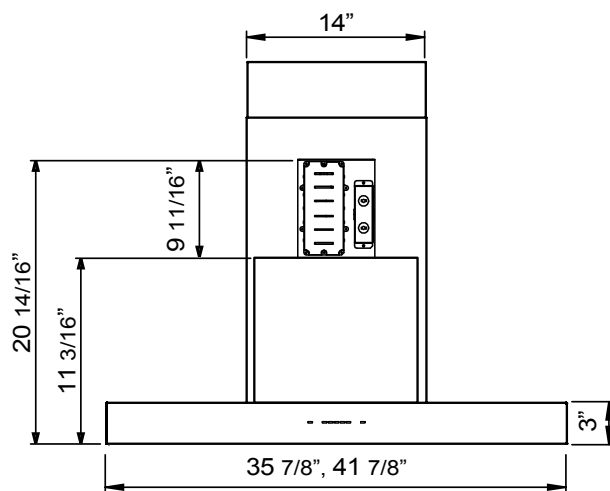
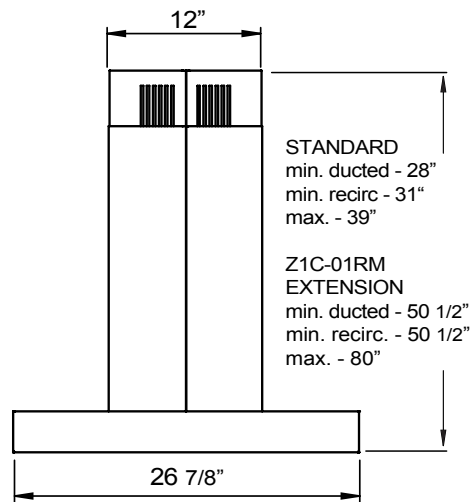


ACT™

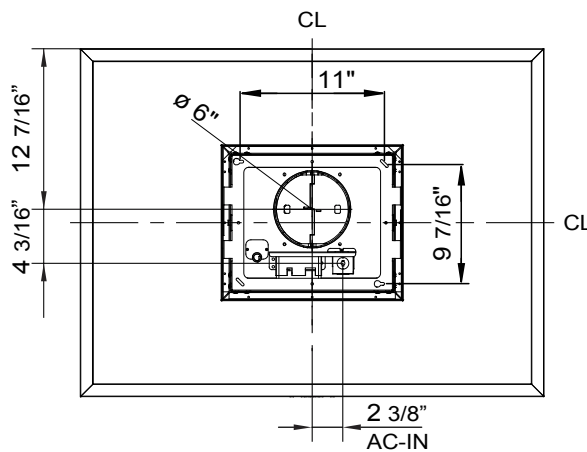
Min. - Max. CFM	INTERNAL BLOWER STANDARD	INTERNAL BLOWER with ACT™ AIRFLOW CONTROL TECHNOLOGY™*	
		200 - 600	200 - 390
Min. - Max. Sones	1 - 6	*AIRFLOW CONTROL TECHNOLOGY™ (ACT™) is an exclusive feature built into specific Zephyr hoods which can limit the maximum blower CFM to meet local code requirements.	



FRONT



SIDE



TOP

MODEL

Stainless Steel	ZRM-E36FS	ZRM-E42FS
Size	36"	42"

Blower CFM (Min. - Max.)	200 - 600	200 - 600
Sones (Min. - Max.)	1 - 6	1 - 6
ACT 390 CFM (Min. - Max.)	200 - 390	200 - 390
ACT 390 Sones (Min. - Max.)	1 - 4	1 - 4
ACT 290 CFM (Min. - Max.)	200 - 290	200 - 290
ACT 290 Sones (Min. - Max.)	1 - 3	1 - 3

FEATURES

ACT™ Technology	Yes	Yes
Controls	ICON Touch®	ICON Touch®
Speed Levels	5*	5*
Auto Delay-Off	Yes	Yes
Lighting	LumiLight LED, 6W x4	LumiLight LED, 6W x4
Dual-Level Lighting	Yes	Yes
Filters	Aluminum Mesh x2	Aluminum Mesh x3
Recirculating Option	Yes	Yes
Quick-Lock Installation	Yes	Yes
Magnetic Duct Covers	Yes	Yes
Extension Duct Cover Option	Yes, Up to 12' Ceiling	Yes, Up to 12' Ceiling
ADA Compliant	Yes, w/ remote accessory	Yes, w/ remote accessory

DUCT SPECIFICATIONS

Vertical Internal Blower	6" Round	6" Round
Horizontal Internal Blower	NA	NA
AC POWER	120V, 60Hz at Max. 4A	120V, 60Hz at Max. 4A

OPTIONAL ACCESSORIES

Wireless Remote Control Kit	RC-0002	RC-0002
Recirculating Kit	ZRC-02RM	ZRC-01RM
Extension Duct Cover	Z1C-01RM	Z1C-01RM
Make-Up Air Kit	MUA006A	MUA006A

MOUNTING HEIGHT RANGE**	26" - 34"	26" - 34"
-------------------------	-----------	-----------

WARRANTY	3 years parts, 1 year labor	3 years parts, 1 year labor
----------	-----------------------------	-----------------------------

CEILING HEIGHT		8'	8.5'	9'	9.5'	10'	10.5'	11'	12'
STANDARD DUCT COVER	Ducted Mounting Height**	26" - 32"	27" - 34"	33" - 34"	NA	NA	NA	NA	NA
	Recirc Mounting Height**	26" - 28"	27" - 34"	33" - 34"	NA	NA	NA	NA	NA
EXTENSION DUCT COVER	Ducted Mounting Height**	NA	NA	NA	26" - 27.5"	26" - 33.5"	26" - 34"	26" - 34"	29" - 34"
	Recirc Mounting Height**	NA	NA	NA	NA	26" - 29.5"	26" - 34"	26" - 34"	29" - 34"

*When ACT™ is enabled the maximum speed levels will change. ACT 390 CFM = 3 speeds and ACT 290 CFM = 2 speeds.
 **Mounting height refers to distance between top of a 36" tall cooking surface and bottom of hood.

ACT™ - Airflow Control Technology™ (ACT™)
 is an exclusive feature built into specific Zephyr hoods which can limit the maximum blower CFM to meet local code requirements.

Specifications subject to change, check zephyronline.com for up-to-date information.
 Zephyr Ventilation | 2277 Harbor Bay Parkway, Alameda, CA 94502 | 888.880.VENT

APR22.0101

