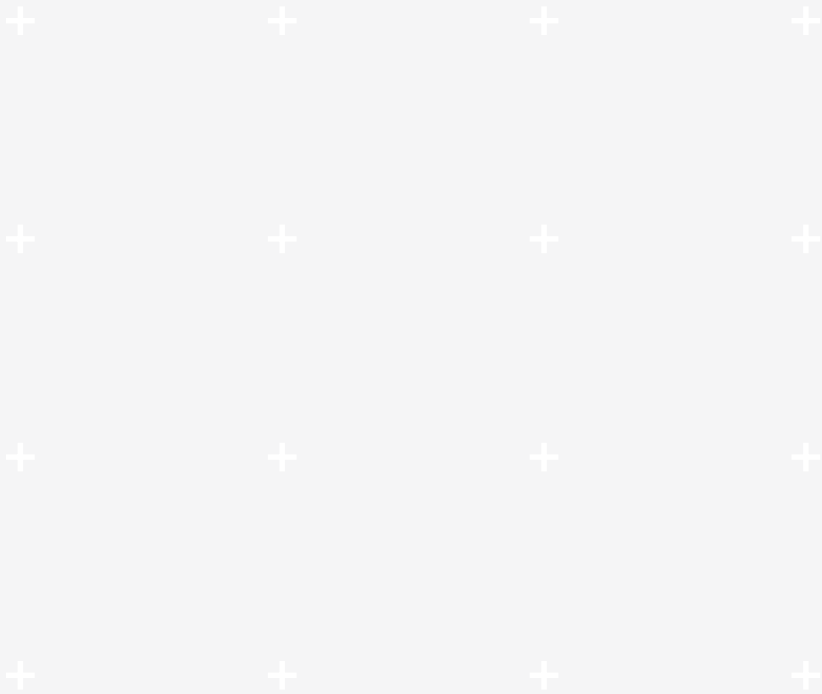
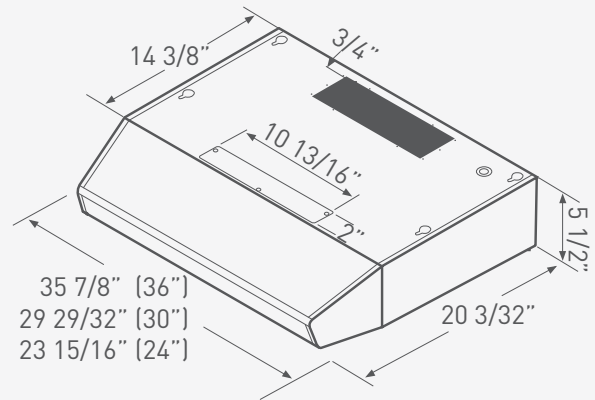


# BREEZE I

Its sophisticated features and performance set the industry value standard. Its three-speed, 250-cfm blowers quietly clear the air while convenient dishwasher-safe aluminum filters efficiently remove airborne residues. Sleek, integrated controls simplify cleanup, and the two-level incandescent bulbs or optional halogens let you set a low-key mood when the time is right.



# ESSENTIALS



## BREEZE I

UNDER CABINET

MODEL	AK1124	AK1100	AK1136
<b>SIZE</b>	24"	30"	36"
<b>NET WIDTH</b>	23-15/16"	29-29/32"	35-7/8"
<b>PERFORMANCE</b>			
Internal Blower	250 CFM	250 CFM	250 CFM
Internal Blower Sones	3.5	3.5	3.5
<b>COLOR</b>			
Black, Bisque, White, Stainless Steel	W, SS	B, Q, W, SS	B, Q, W, SS
<b>FEATURES</b>			
Controls	Mechanical Slide	Mechanical Slide	Mechanical Slide
Speed Levels	3	3	3
Auto Delay-Off	No	No	No
Lighting	Incandescent, 40W x 2	Incandescent, 40W x 2	Incandescent, 40W x 2
Dual-Level Lighting	Yes	Yes	Yes
Filters	Metal Mesh x 2	Metal Mesh x 2	Metal Mesh x 2
Recirculating	Yes	Yes	Yes
Duct Cover Extension	NA	NA	NA
<b>DUCT SPECIFICATIONS</b>			
Internal Blower - Vertical	3-1/4" x 10"	3-1/4" x 10"	3-1/4" x 10"
Internal Blower - Horizontal	3-1/4" x 10"	3-1/4" x 10"	3-1/4" x 10"
<b>AC INPUT</b>	120V - 60Hz	120V - 60Hz	120V - 60Hz
<b>AC POWER</b>	Max. 152W, 1.35 Amps	Max. 152W, 1.35 Amps	Max. 152W, 1.35 Amps
<b>OPTIONAL ACCESSORIES</b>			
Recirculating Kit	OAK11-21001	OAK11-21001	OAK11-21001
Halogen Bulb, 35W	ZOB-0001	ZOB-0001	ZOB-0001

<b>Mounting Heights</b>	Min. height 24" from cooking surface. Hood mounted 60" from floor.	Max. height 32" from cooking surface. Hood mounted 68" from floor.
-------------------------	---	---

