

# Use, Care, and Installation Guide

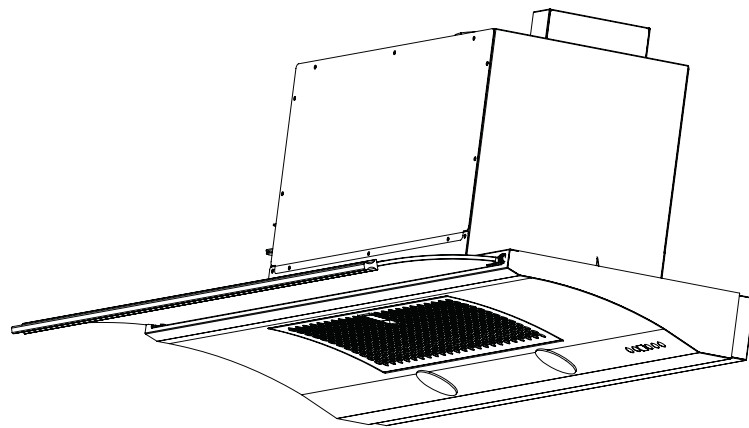
## Genova

ZGE-E30AS

ZGE-E36AS

ZGE-E30AS290

ZGE-E36AS290



C US

Model number: \_\_\_\_\_

Serial Number: \_\_\_\_\_



---

**SAFETY NOTICE** ..... 2-3

**LIST OF MATERIALS** ..... 4

**INSTALLATION**

    Ducting Calculation Sheet ..... 5

    Mounting Height & Clearance ..... 6

    Ducting Options ..... 7

    Hood Specifications ..... 8

    Preparing the Cabinet ..... 9

    Installing the Hood ..... 10 - 12

    Ductless Recirculation ..... 13

**FEATURES & CONTROLS**

    Touch Controls ..... 14-15

    Remote Control (Optional) ..... 16

**MAINTENANCE**

    Hood and Filter Cleaning ..... 17

    Lights ..... 18

    Wiring Diagram ..... 19

**TROUBLESHOOTING** ..... 20

**LIST OF PARTS AND ACCESSORIES** ..... 21

**Important Safety Notice**

**WARNING**

TO REDUCE THE RISK OF FIRE OR ELECTRIC SHOCK, DO NOT USE THIS FAN WITH ANY SOLID-STATE CONTROL DEVICE.

**WARNING**

TO REDUCE THE RISK OF FIRE ELECTRIC SHOCK, OR INJURY TO PERSONS, OBSERVE THE FOLLOWING:

- a. Use this unit only in the manner intended by the manufacturer, if you have questions, contact the manufacturer.
- b. Before servicing or cleaning unit, switch power off at service panel and lock panel to prevent power from being switched on accidentally. When the service disconnecting means cannot be locked, securely fasten a prominent warning device, such as a tag, to the service panel.

**CAUTION**

For general ventilating use only. Do not use to exhaust hazardous or explosive materials and vapors. Take care when using cleaning agents or detergents. Suitable for use in household cooking area.

**WARNING**

TO REDUCE THE RISK OF RANGE TOP GREASE FIRE:

- a. Never leave surface units unattended at high settings. Boilovers cause smoking and greasy spillovers that may ignite. Heat oils slowly on low or medium settings.
- b. Always turn hood ON when cooking at high heat or when flaming food
- c. Clean ventilating fans frequently. Grease should not be allowed to accumulate on fan or filter.
- d. Use proper pan size. Always use cookware appropriate for the size of the surface element.
- e. Keep fan, filters and grease laden surfaces clean.
- f. Use high setting on hood only when necessary.
- g. Don't leave hood unattended when cooking.
- h. Always use cookware and utensils appropriate for the type of and amount of food being prepared.

**WARNING**

TO REDUCE THE RISK OF INJURY TO PERSONS IN THE EVENT OF A RANGE TOP FIRE, OBSERVE THE FOLLOWING:

- a. SMOTHER FLAMES with a close-fitting lid, cookie sheet, or metal tray, then turn off the burner. BE CAREFUL TO PREVENT BURNS. If the flames do not go out immediately, EVACUATE AND CALL THE FIRE DEPARTMENT.
- b. NEVER PICK UP A FLAMING PAN – You may be burned.
- c. DO NOT USE WATER, including wet dishcloths or towels – a violent steam explosion will result.
- d. Use an extinguisher ONLY if:
  - 1. You know you have a Class ABC extinguisher, and you already know how to operate it.
  - 2. The fire is small and contained in the area where it started.
  - 3. The fire department is being called.
  - 4. You can fight the fire with your back to an exit

**WARNING**

TO REDUCE THE RISK OF FIRE, ELECTRIC SHOCK OR INJURY TO PERSONS, OBSERVE THE FOLLOWING:

- a. Installation work and electrical wiring must be done by qualified person(s) in accordance with all applicable codes and standards. Including fire-rated construction.
- b. Sufficient air is needed for power combustion and exhausting of gases through the flue (chimney) of fuel burning equipment to prevent back-drafting. Follow the heating equipment manufacturer's guideline and safety standards such as those published by the National Fire Protection Association (NFPA) and the American Society for Heating, Refrigeration and Air Conditioning Engineers (ASHRAE) and the local code authorities.
- c. When cutting or drilling into wall or ceiling, do not damage electrical wiring and other hidden utilities.
- d. Ducted fans must always vent to the outdoors.
- e. NEVER place a switch where it can be reached from a tub or shower.
- f. Make sure the power is off before installing, wiring or maintenancing.

**WARNING**

TO REDUCE THE RISK OF FIRE, USE ONLY METAL DUCTWORK.

**CAUTION**

To reduce risk of fire and to properly exhaust air outside - Do not vent exhaust air into spaces within walls, ceilings, attics, crawl spaces or garages. Hood not intended for installation over an outdoor grill.

**OPERATION**

Always leave safety grilles and filters in place. Without these components, operating blowers could catch onto hair, fingers and loose clothing.

The manufacturer declines all responsibility in the event of failure to observe the instructions given here for installation, maintenance and suitable use of the product. The manufacturer further declines all responsibility for injury due to negligence and the warranty of the unit automatically expires due to improper maintenance.

**\*NOTE: Please check [www.zephyronline.com](http://www.zephyronline.com) for revisions before doing any custom work.**

**ELECTRICAL REQUIREMENTS**

**Important:**

Observe all governing codes and ordinances.

It is the customer's responsibility:

- To contact a qualified electrical installer.
- To assure that the electrical installation is adequate and in conformance with National Electrical Code, ANSI/NFPA 70 latest edition\* or CSA standards C22.1-94, Canadian Electrical Code, Part 1 and C22.2 No.0-M91 - latest edition\*\* and all local codes and ordinances.

If codes permit and a separate ground wire is used, it is recommended that a qualified electrician determine that the ground path is adequate.

Do not ground to a gas pipe.

Check with a qualified electrician if you are not sure the range hood is properly grounded.

Do not have a fuse in the neutral or ground circuit.

\*National Fire Protection Association Batterymarch Park, Quincy, Massachusetts 02269

\*\* CSA International 8501 East Pleasant Valley Road, Cleveland, Ohio 44131-5575

This appliance requires a 120V 60Hz electrical supply and connected to an individual properly grounded branch circuit protected by a 15 or 20 ampere circuit breaker or time delay fuse. Wiring must be 2 wire with ground. Please also refer to Electrical Diagram on product.

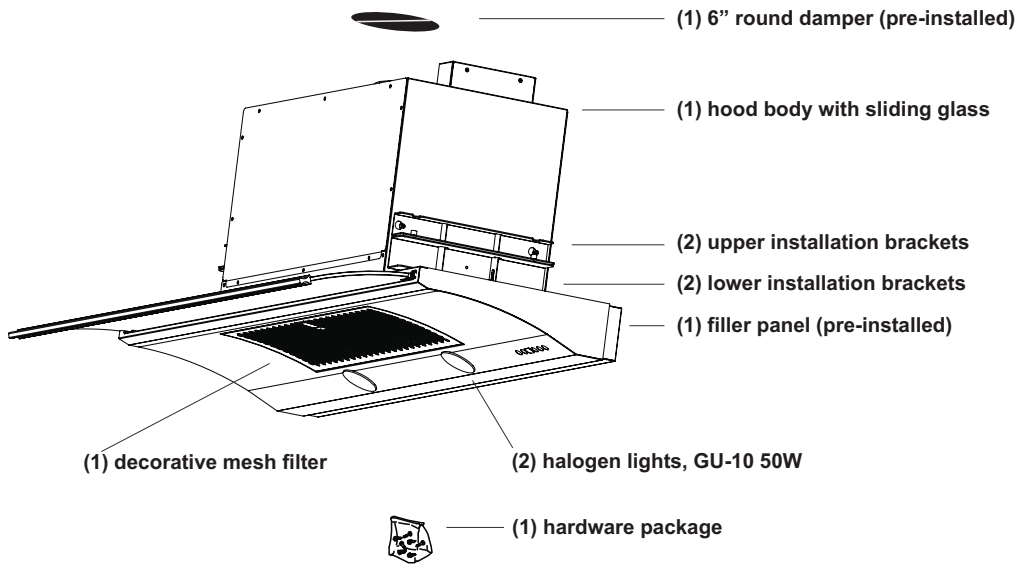
A cable locking connector (not supplied) might also be required by local codes. Check with local requirements, purchase and install appropriate connector if necessary.

ZGE-E30AS, ZGE-E36AS - 370 Watts, 3.1 Amps

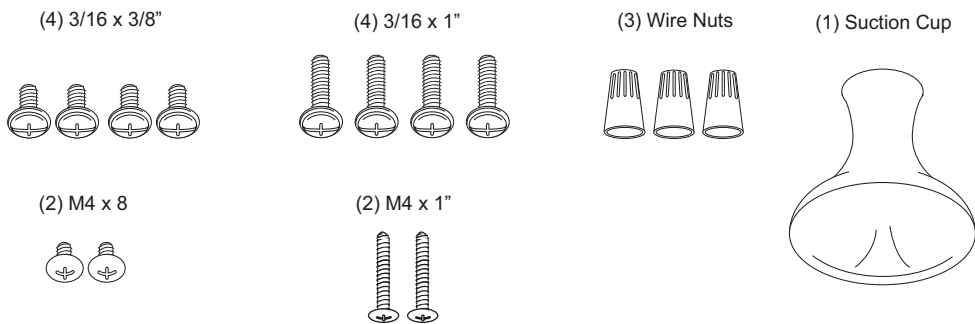
ZGE-E30AS290, ZGE-E36AS290 - 167 Watts, 1.4 Amps

MODELS: ZGE-E30AS, ZGE-E30AS290, ZGE-E36AS, ZGE-E36AS290

**PARTS SUPPLIED**

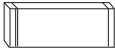


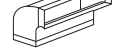


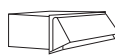













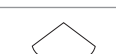


**HARDWARE PACKAGE CONTENTS**



**PARTS NOT SUPPLIED**

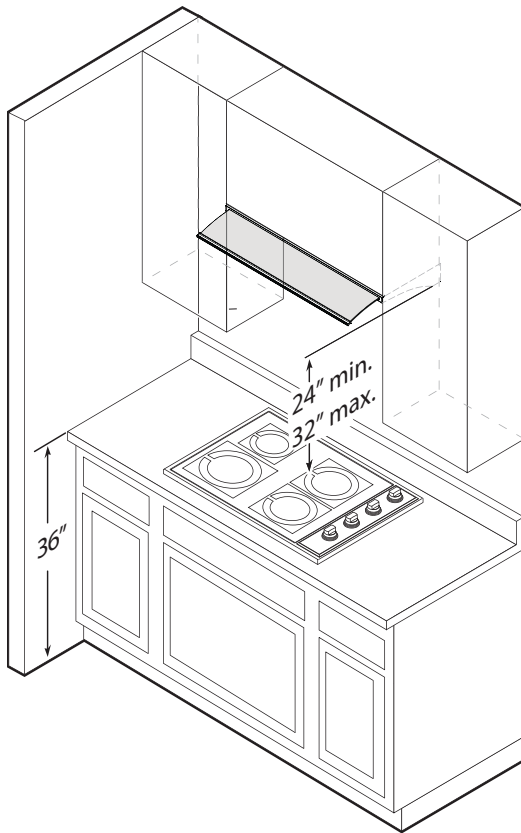
- Ducting, conduit and all installation tools
- Cable connector (if required by local codes)
- Recirculating kit accessory - ZRC-00GE
- Remote control accessory - 14000005

Duct pieces		Equivalent number length x used =	Total
	3-1/4" x 10" Rect., straight	1 Ft. x ( ) =	Ft.
	7" Round, straight	1 Ft. x ( ) =	Ft.
	8" Round, straight	1 Ft. x ( ) =	Ft.
	3-1/4" x 10" Rect.90° elbow	15 Ft. x ( ) =	Ft.
	3-1/4" x 10" Rect.45° elbow	9 Ft. x ( ) =	Ft.
	3-1/4" x 10" Rect.90° flat elbow	24 Ft. x ( ) =	Ft.
	3-1/4" x 10" Rect. wall cap with damper	30 Ft. x ( ) =	Ft.
	3-1/4" x 10" Rect.to 6" round transition	5 Ft. x ( ) =	Ft.
	3-1/4" x 10" Rect.to 6" round transition 90° elbow	20 Ft. x ( ) =	Ft.
	6" Round, 90° elbow	15 Ft. x ( ) =	Ft.
	6" Round, 45° elbow	9 Ft. x ( ) =	Ft.
Subtotal column 1 =			Ft.

Duct pieces		Equivalent number length x used =	Total
	6"- 8" Round wall cap with damper	30 Ft. x ( ) =	Ft.
	6"- 8" Round, roof cap	30 Ft. x ( ) =	Ft.
	6" round to 3-1/4" x 10" rect. transition	1 Ft. x ( ) =	Ft.
	6" round to 3-1/4" x 10" rect. transition 90° elbow	16 Ft. x ( ) =	Ft.
	7" or 8" Round, 90° elbow	15 Ft. x ( ) =	Ft.
	7" or 8" Round, 45° elbow	9 Ft. x ( ) =	Ft.
	7" or 8" Round wall cap with damper	30 Ft. x ( ) =	Ft.
	7" or 8" Round, roof cap	30 Ft. x ( ) =	Ft.
	7" round to 3 1/4" x 10" rect. transition	8 Ft. x ( ) =	Ft.
	7" round to 3-1/4" x 10" rect. transition 90° elbow	23 Ft. x ( ) =	Ft.
Subtotal column 2 =			Ft.
Subtotal column 1 =			Ft.
Total ductwork =			Ft.

**Maximum Duct Length:** For satisfactory air movement, the total duct length of a 3 1/4" x 10" rectangular 6" or 7" diameter round duct should not exceed 100 equivalent feet.

# Installation – Installing the Hood



Mounting height from top of cooking surface to bottom of hood should be no less than 24" and no more than 32".

It is important to install the hood at the proper mounting height. Hoods mounted too low could result in heat damage and fire hazard while hoods mounted too high will be hard to reach and will lose performance and efficiency.

If available, also refer to range manufacturer's height clearance requirements and recommended hood mounting height above range. Always check your local codes for any differences.

#### **DAMAGE-SHIPMENT / INSTALLATION:**

- Please fully inspect unit for damage before installation.
- If the unit is damaged in shipment, return the unit to the store in which it was bought for repair or replacement.
- If the unit is damaged by the customer, repair or replacement is the responsibility of the customer.
- If the unit is damaged by the installer (if other than the customer), repair or replacement must be made by arrangement between customer and installer.

## **DUCTING**

A minimum of 6" round ducting must be used to maintain maximum air flow efficiency.

Always use rigid type metal ducts only. Flexible ducts could restrict air flow by up to 50%.

Use calculation worksheet to compute total duct work.

ALWAYS, when possible, reduce the number of transitions and turns. If a long duct run is required, increase duct size from 6" to 7" or 8".

If turns or transitions are required: Install as far away from opening and as far apart, between 2, as possible.



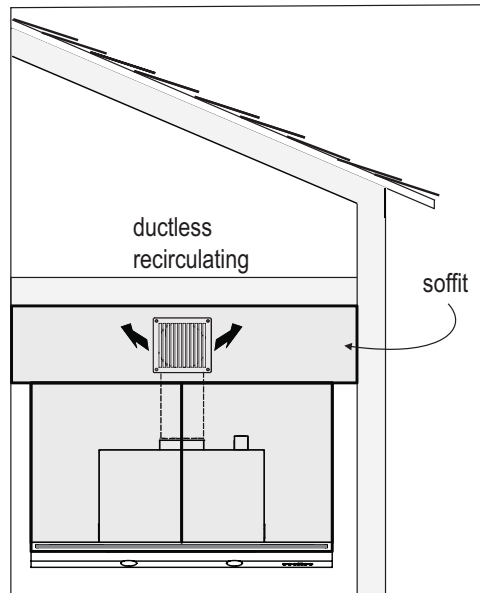
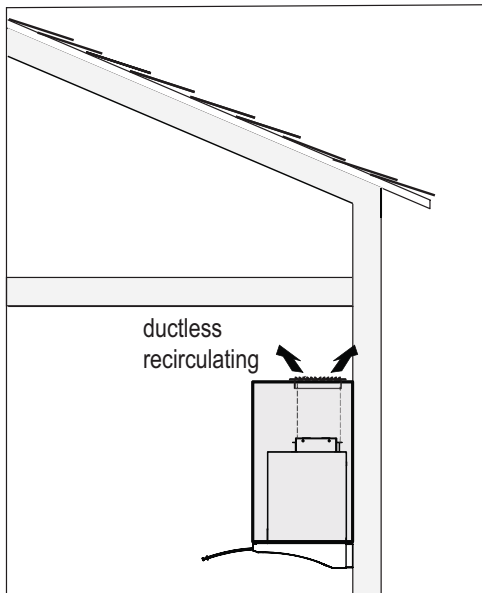
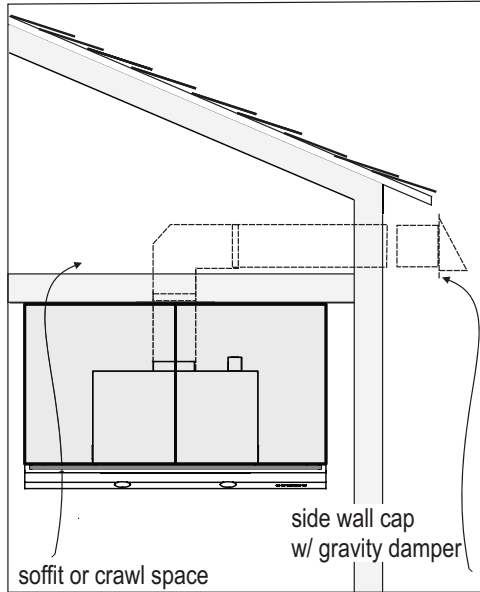
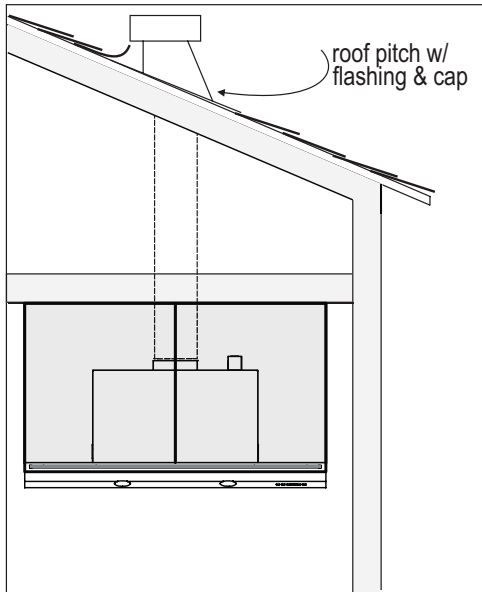
**WARNING FIRE HAZARD**

NEVER exhaust air or terminate duct work into spaces between walls, crawl spaces, ceiling, attics or garages. All exhaust must be ducted to the outside, unless using the recirculating option.

Use single wall rigid Metal ductwork only.

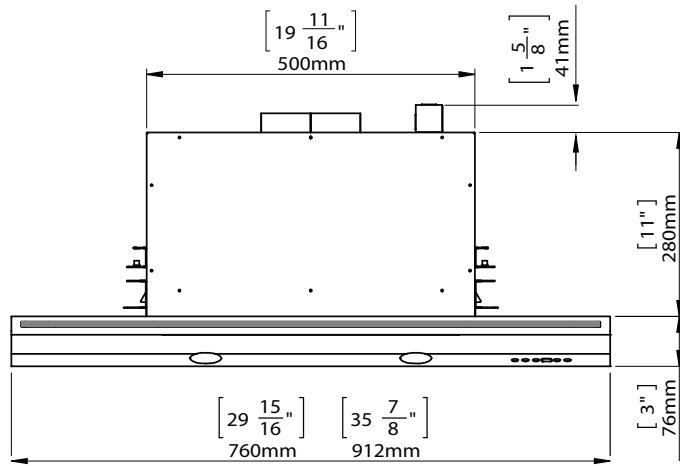
Fasten all connections with sheet metal screws and tape all joints w/ certified Silver Tape or Duct Tape.

**Ducting Options Example**

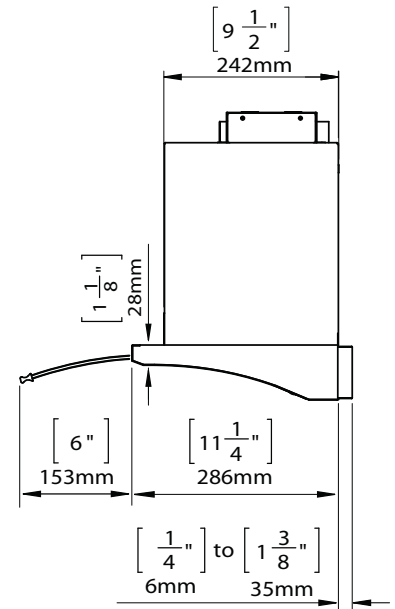


# Installation – Hood Specifications

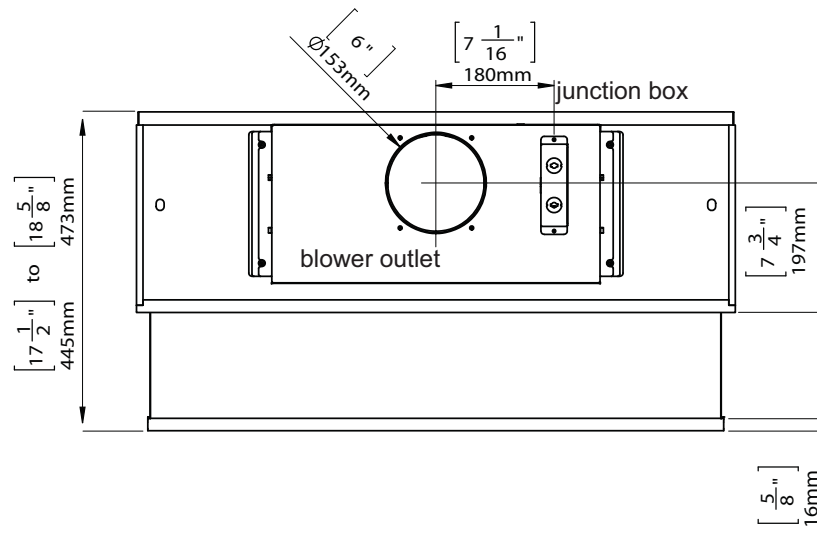
front of hood



side of hood



top of hood



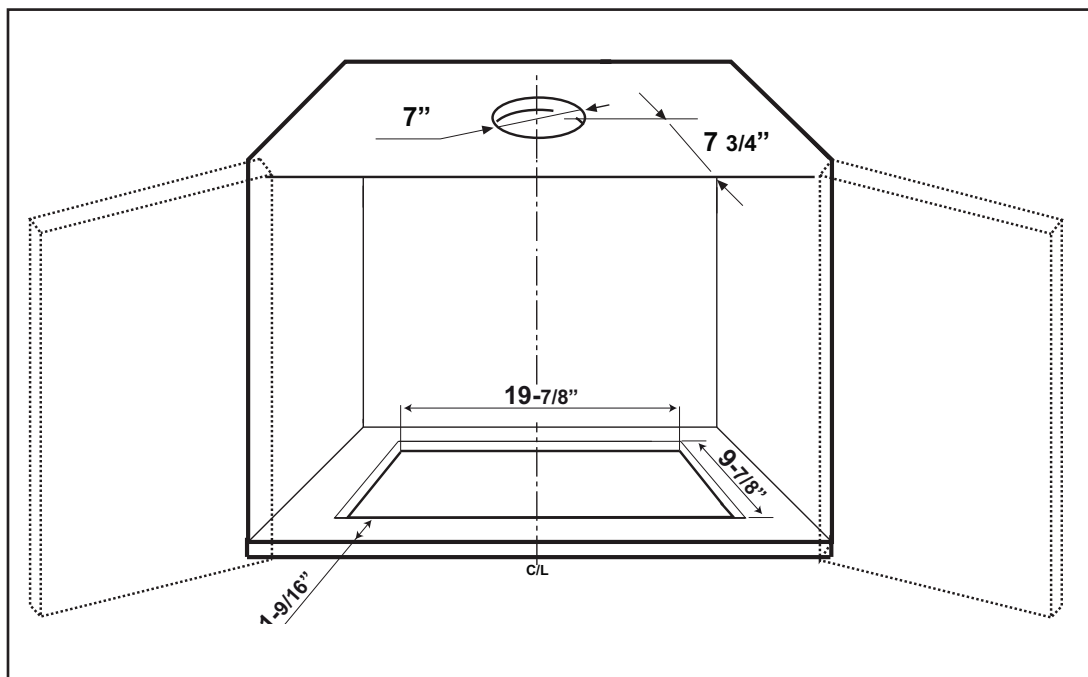


Fig.1

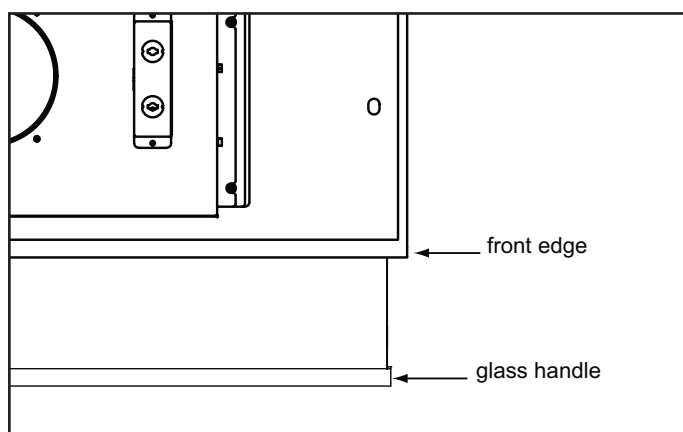


Fig.2

1. Determine and mark center line on wall and cabinet bottom with a pencil.
2. If the cabinet bottom is recessed, wood blocking must be installed to ensure proper alignment of the hood with the cabinet bottom. Wood blocking should be flush within cabinet bottom.
3. Follow the dimensions in Fig.1 and cut-out the bottom of your cabinet to create an opening for the hood to fit through. If you have a frameless cabinet begin the 1-9/16" measurement (*referenced in Fig.1*) from front of the cabinet door. This way the front edge of the hood will be flush with the cabinet doors when closed, see Fig.2.

Installation – Installing the Hood

**⚠ WARNING:** Electrical wiring must be done by a qualified person(s) in accordance with all applicable codes and standards. This range hood must be properly grounded. Turn off electrical power at service entrance before wiring.

1) Prepare electrical wiring and ducting in cabinet. Location of junction box and blower outlet can be found on page 8.

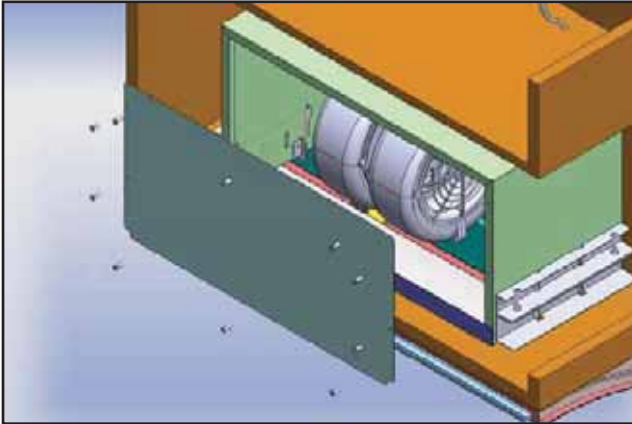


Fig.3

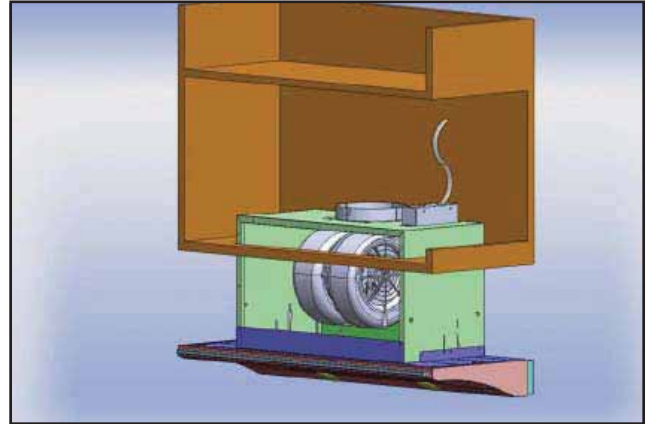


Fig.4

2) Unscrew the (10) screws from front panel and place the panel aside, Fig.3. You will now have access to the interior of the range hood.

3) Open cabinet doors. Lift range hood and slide it through the opening located in the bottom of the cabinet, Fig.4. Make sure opening matches the dimensions on page 9, Fig.1.

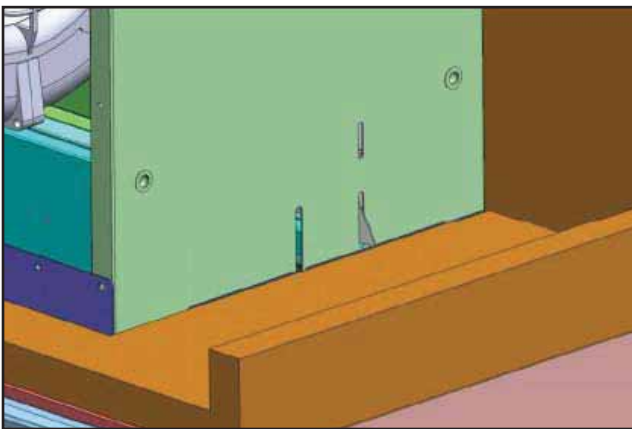


Fig.5

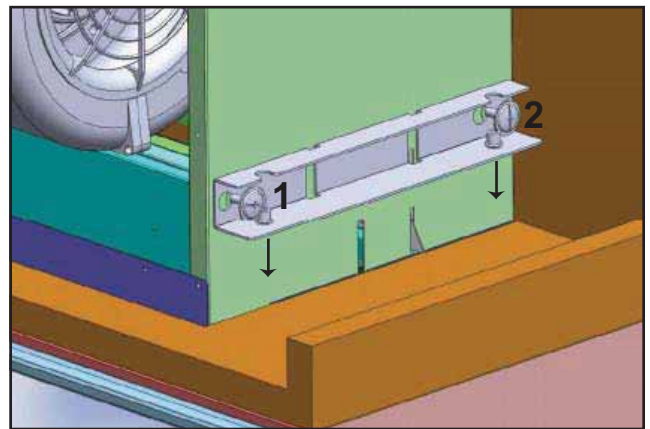


Fig.6

4) There are spring clips located on the left and right sides of the hood body which will temporarily hold the hood in place, Fig.5.

5) Secure upper brackets to left and right sides of hood body by using (2) 3/16 x 3/8" screws for each bracket. Fig.6. Make sure the (2) captive nut screw holes on the bracket are facing downward. Note: Due to limited workspace in 30" cabinets you will need to use a right angle or 2" long Philips head screwdriver.

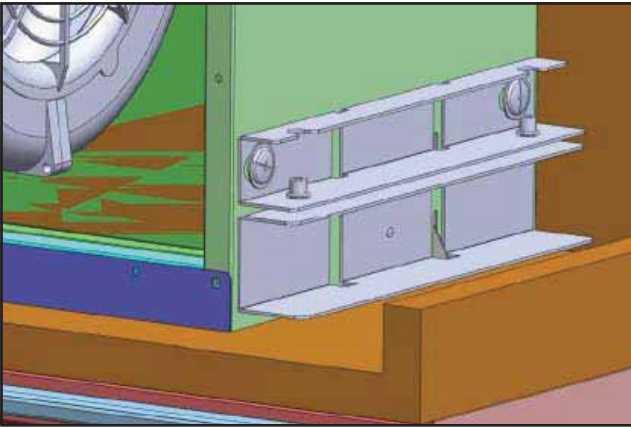


Fig.7

6) Place lower installation brackets under upper installation brackets located on left and right sides of hood body, Fig.7. Note: The wider portion of the lower installation bracket should be at the bottom.

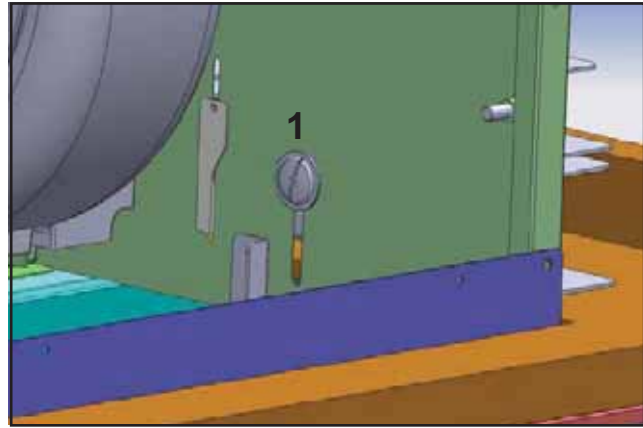


Fig.8

7) From inside the hood, secure (1) M4x8 screw into each lower installation bracket. The position of this screw is adjustable to accommodate various cabinet bottom thicknesses, Fig.8. Do not fully tighten screw yet.

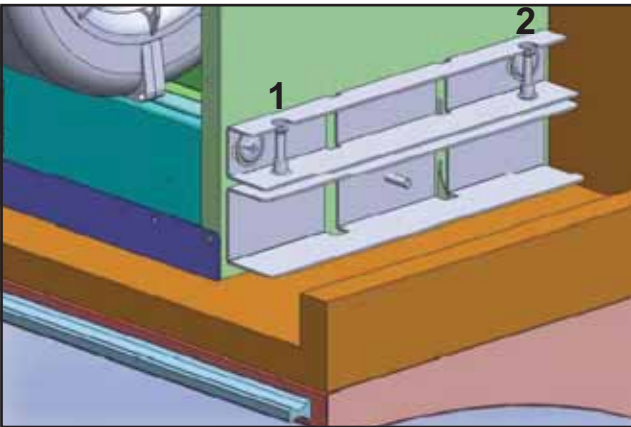


Fig.9

8) Install (2) 3/16x1" screws into the captive nuts of each upper installation bracket. Tighten screws to adjust the height of range hood until there is no gap between the cabinet bottom and front edge of hood, Fig.9. After hood is positioned, fully tighten the lower installation bracket screw from step 7, Fig.8-1.

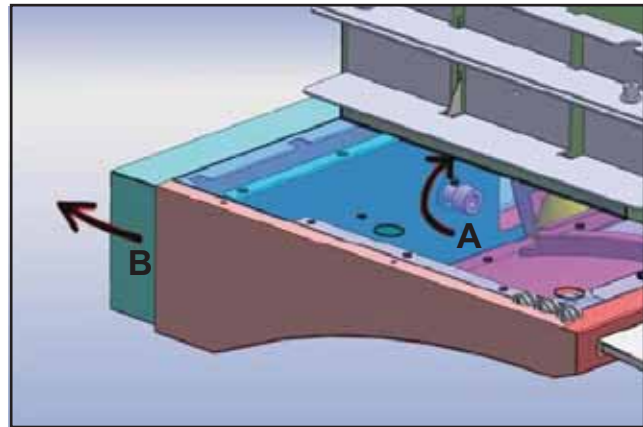
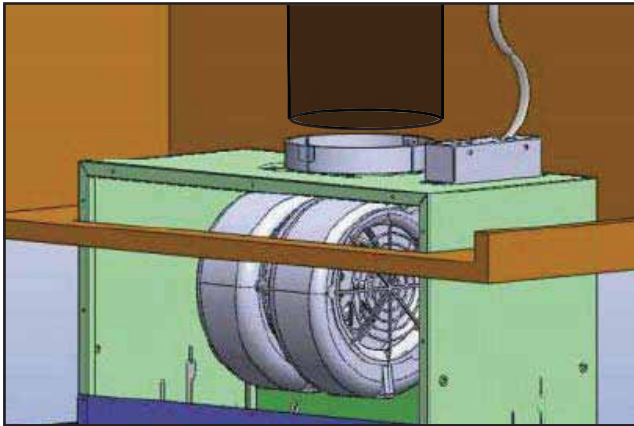


Fig.10

9) A filler panel is included to accommodate multiple cabinet depths. Inside the hood are (2) thumb screws located on the left and right sides at the back of the hood, Fig.10A. Turn each thumb screw clockwise to push the filler panel towards the wall, Fig.10B. Tighten thumb screws until filler panel meets the wall and is secured in place. See hood specifications on page 8 for supported cabinet depths.

**Installation – Installing the Hood**

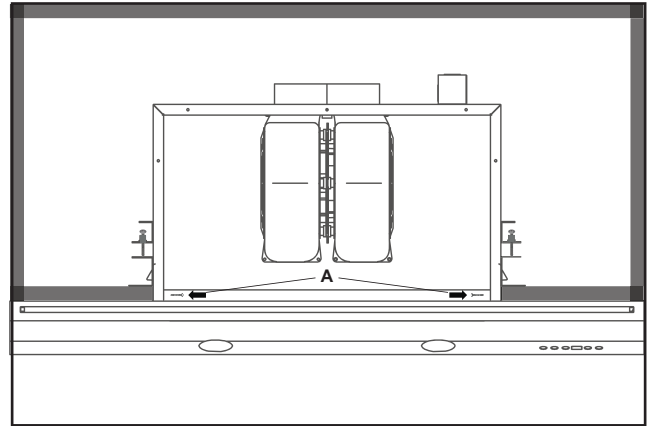


**Fig.11**

- 10) Place 6" round ducting over blower collar and secure with aluminum duct tape. If using hood in ductless recirculating mode turn to page 13.

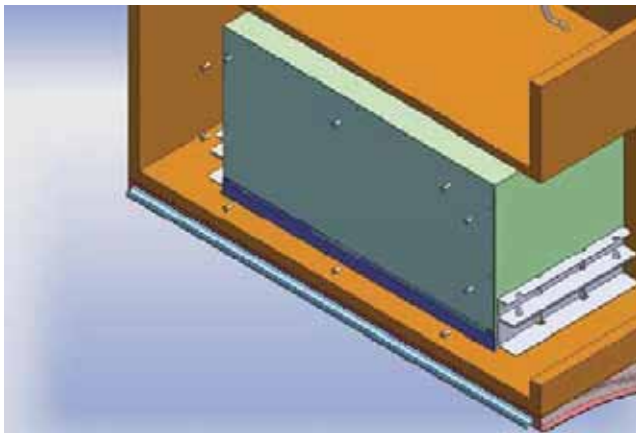
Install electrical wiring. Note: A cable lock (not included) may be required by local codes. Check with local requirements and codes, purchase and install appropriate connector if necessary.

Make sure no packing material is inside hood. Power up hood check for leaks around duct tape and verify all functions.



**Fig.12A**

- 11) Secure (2) 1" wood screws (A) into the screw holes on the left and right sides of the filter opening. This will secure the hood body to the cabinet base and prevent the hood from shifting after installation.



**Fig.12B**

- 12) Place front panel back on hood body and secure in place by using the (10) screws previously removed from step 2.

Ductless recirculation is intended for applications where an exhaust duct work is not possible to be installed. When converted, the hood functions as a recirculating hood rather than an exhaust hood. Fumes and exhaust from cooking are drawn and filtered by an optional charcoal filter. The air is then purified and recirculated back within the home.

We recommend to ALWAYS exhaust air outside of the home by employing existing or installing new duct work, if possible. The hood is most effective and efficient as an exhaust hood. Only when the exhaust option is not possible should you recourse to converting the hood into a recirculating hood.

When converted to be a recirculating hood, a charcoal filter is required on top of the decorative mesh filter. Order according to its part number below. The decorative mesh filter is intended to capture residue from cooking and the optional charcoal filter helps to purify fumes exhausted from cooking for recirculation.

### RECIRCULATING KIT (REQUIRED IF NOT DUCTED OUTSIDE THE HOME)

Kit includes charcoal filter, brackets and return air vent.

Hood Model	Part No.	Filters in Pkg.
ZGE (all models)	ZRC-00GE	1

1. Purchase recirculating kit per the part number above.
2. Remove decorative mesh filter from hood and place charcoal filter on top of mesh filter. Secure charcoal filter to mesh filter by using the supplied wire brackets as shown in Fig.13.
3. Reinstall decorative mesh filter.
4. In order to recirculate the air properly, a return air vent must be installed to allow recycled air to be returned to the kitchen, Fig. 14. Ducting must be run from the blower to the return air vent. The return air vent can be positioned on top of the cabinet or in a soffit/ceiling.
5. Enable Charcoal Filter Change indicator on control panel. See page 15.
6. Charcoal filter must be replaced after every 120 hours of use or approximately every 3 to 4 months based on an average daily use of 1 hour of cooking time) The microprocessor in the controls, when set, will elapse and count usage time and indicate when charcoal filter replacement is required every 120 hrs.

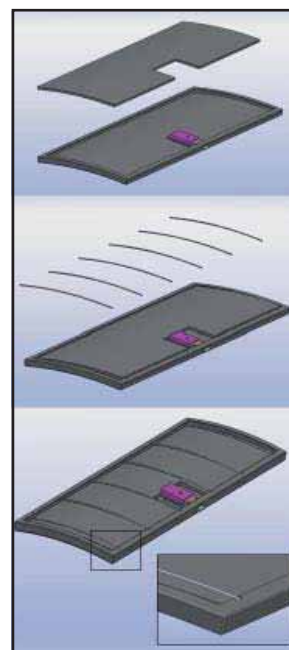


Fig.13

### Charcoal Filter Replacement

Hood Model	Part No.	Qty to Order
ZGE (all models)	Z0F-C0GE	1

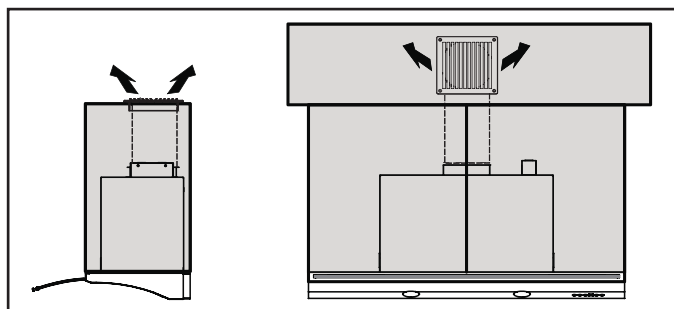
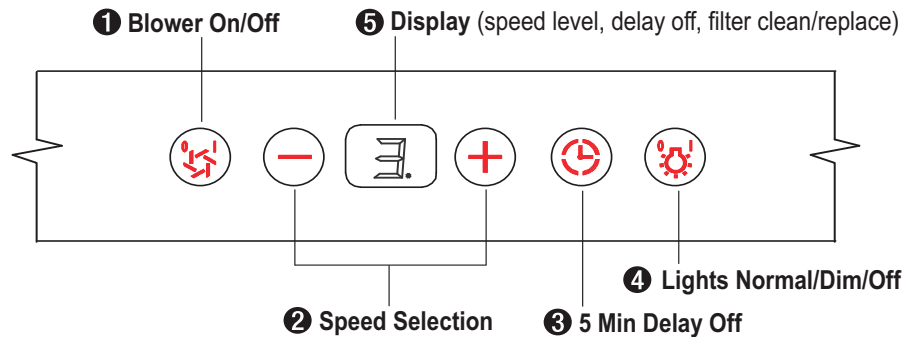



Fig.14






**NOTE: Blower and lights will automatically shut off when the glass is closed. The hood also has a built in memory function that will automatically turn the blower and lights on at the last setting when the glass is pulled open. Blower will not operate while the glass is closed but the lights will still function.**

#### 1 Blower On/Off

By pressing , the blower is switched On and Off. When switched On, the blower will operate at the last setting before it was switched Off. When switched Off the entire hood powers Off, including the lights.

#### 2 Speed Selection

The 3 speed levels are selected by pressing  to decrease and  to increase speed level. The display indicates speed level selected. Pressing  when the hood is Off will also switch the blower On.

#### 3 Delay Off

Delay Off is used for programmed shut down of blower and lights 5 minutes after the function is activated. Press  once and a dot will appear in the lower right side of the Display  indicating the function is on. The hood will change to Speed 1 and shut down after 5 minutes.

#### 4 Lights Normal/Dim/Off

Switch lights on to Normal by pressing  once, again to Dim and again to switch Off.

#### 5 Display

Displays blower speed level, delay off status, mesh filter clean and charcoal filter replace notification.

**The decorative mesh filter is required to be cleaned frequently and as recommended in order to maintain blower efficiency. If improperly maintained, residue from cooking will sift through filter and cause damage to hood blower and other sensitive components by possibly clogging duct work and creating a fire hazard.**



### Decorative Mesh Filter Clean Reminder (metal mesh filter)

Whether your hood is installed as an exhaust or purifying unit, a decorative mesh filter is fitted by the factory. This mesh filter is intended to filter out residue from cooking. It need not be replaced on a regular basis but is required to be kept clean. After every 30 hours of use the Filter Clean Reminder function in the microprocessor will automatically remind you by a flashing **F** when the mesh filter needs to be cleaned. The filter can be cleaned by hand with non-abrasive soap or in a dishwasher. A heavily soiled filter should also be soaked in grease cutting detergent prior to cleaning.

#### Decorative Mesh Filter Clean Indicator

When **F** flashes on display, the mesh filter installed is required to be cleaned. This will occur after every 30 hours of use.

#### Re-setting Function

Reset the filter clean reminder timer when filter is cleaned and re-installed. With hood off, press and hold **-** for approximately 5 seconds until **F** on display disappears **[ ]**. The filter clean reminder function is now reset and a new 30 hours elapse cycle is initiated.

#### Clean Filters

display < F > flashes



#### To Reset

hold 5 sec. display from < F > to < >



### Charcoal Filter Replace Reminder (charcoal filter, if installed)

When your hood is installed as a recirculating unit it must be fitted with a charcoal filter to purify exhaust and fumes from cooking and then recirculate the air within the home. This charcoal filter must be replaced after every 120 hours of use. The charcoal filter should never be cleaned or placed in a dish washer.

The charcoal filter replace reminder function in the microprocessor needs to be switched on. When switched on, the microprocessor will elapse and count usage time. When charcoal filter replacement is needed a flashing **C** will appear on the display.

#### Setting the Charcoal Filter Replace Reminder

With hood off, hold **+** for approximately 5 seconds. The display will change from **-** (exhaust mode) to **C** (recirculating mode). This indicates that the elapse timer function is switched on and charcoal filter is being used.

#### Set Mode

hold 5 sec. display from < - > to < C >



#### Charcoal Filter Replace Indicator

When the display **C** starts flashing, the charcoal filter needs to be replaced. Purchase replacement charcoal filters from Zephyr.

#### Change Filter

display < C > flashes



#### Re-setting Function

After charcoal filter is replaced, with hood off, press and hold **+** for approximately 5 seconds until **C** on the display disappears **[ ]**. The filter change reminder is now re-set and a new 120 hour elapse cycle is initiated.

#### To Reset

hold 5 sec. display from < C > to < >



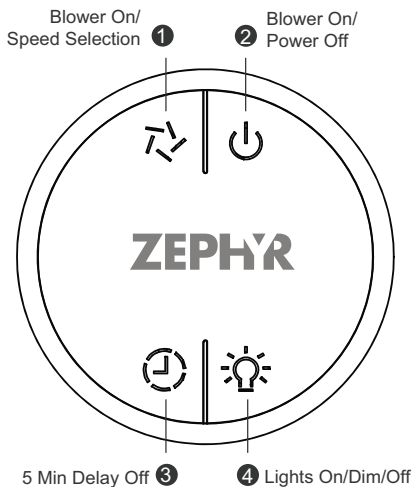
**FCC Caution:** To assure continued compliance, any changes or modifications not expressly approved by the party responsible for compliance could void the user's authority to operate this equipment. This device complies with Part 15 of the FCC Rules. Operation is subject to the following two conditions. (1) This device may not cause harmful interference, and (2) This device must accept any interference received, including interference that may cause undesired operation.

**Remote control is sold as an optional accessory. Purchase Zephyr part number: 1400005**  
 This remote control may operate in humid environments, but not when placed on a wet surface.

**SYNCHRONIZATION:** To create a unique link between your range hood and remote control please follow the below steps:  
 1. With range hood off, press and hold the "lights" button on the range hood until the letter "F" shows on the display screen.  
 2. Press the "lights" button on the remote, the lights on the hood will turn on. The synchronization is complete.

**REMOTE CONTROL FEATURES:**

The RF remote control is equipped with a magnet for easy storage. The remote may be placed on any magnetic surface such as a refrigerator or the Zephyr remote holder. Maximum remote control communication distance from power pack is 15 feet.



**1 Blower On/Speed Selection**

By pressing , the blower is switched On. Press again to cycle through all three blower speeds.

**2 Blowers On/Hood Off**

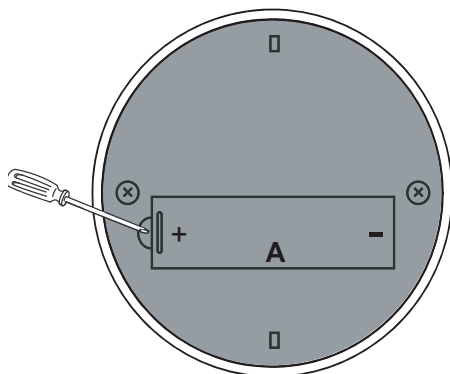
By pressing , the blowers will power on at the last speed setting. Press again and the entire hood will power off, including lights.

**3 Delay Off**

By pressing , the blower and lights will enter Delay Off mode. A dot will appear in the lower right corner of the power pack display indicating the function is on. The blower will change to speed 1 and shut down after 5 minutes.

**4 Lights On/Dim/Off**

Switch lights On by pressing once, again to dim and again to switch Off.



**REMOTE CONTROL MAINTENANCE:**

Clean the remote control using non abrasive detergents

**Follow instructions below for replacing battery.**

Using a small flat head screwdriver, raise the cover of the battery door (A) in order to access the battery compartment.

Remove the battery and replace with Type **A23 12V**.  
 Negative end of battery should face the spring inside the remote.

Replace battery door and recycle old battery.

**SURFACE MAINTENANCE:**

Periodically clean with hot soapy water and clean cotton cloth. Do not use corrosive or abrasive detergent steel wool or scouring pads which will scratch and damage surface.

For heavier soil use liquid degreaser.

After cleaning it is recommended that you use non-abrasive stainless steel polish/cleaners to polish and buff out the stainless luster and grain. Always scrub lightly with clean cotton cloth and with the grain.

Do not use any product containing chlorine bleach. Do not use “orange” cleaners.

**Decorative Mesh Filters**

The mesh filter installed by the factory is intended to filter out residue and grease from cooking. It need not be replaced on a regular basis but is required to be kept clean.

Filter should be cleaned after every 30 hours of use or once a month.

Remove and clean by hand or in dishwasher on low heat. Spray degreasing detergent and leave to soak if heavily soiled.

Dry filter and re-install before using hood.

**Replacing Mesh Filter**

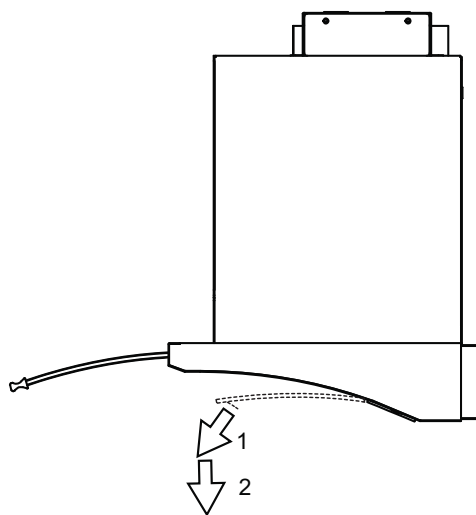
Should filter wear out due to age and prolonged use, replace with the following part number:

Hood Model:	Part No.	Qty. to Order.
All ZGE Models	50200036	1

Replace any damaged filter that has punctured or broken mesh or damaged frame.

To remove decorative mesh filter:

1. Pull down on handle.
2. Tilt filter down and remove from hood.



## REPLACING LIGHT BULBS

**CAUTION:** Light bulb becomes extremely hot when turned on.

**DO NOT touch bulb until switched off and cooled. Touching hot bulbs could cause serious burns.**

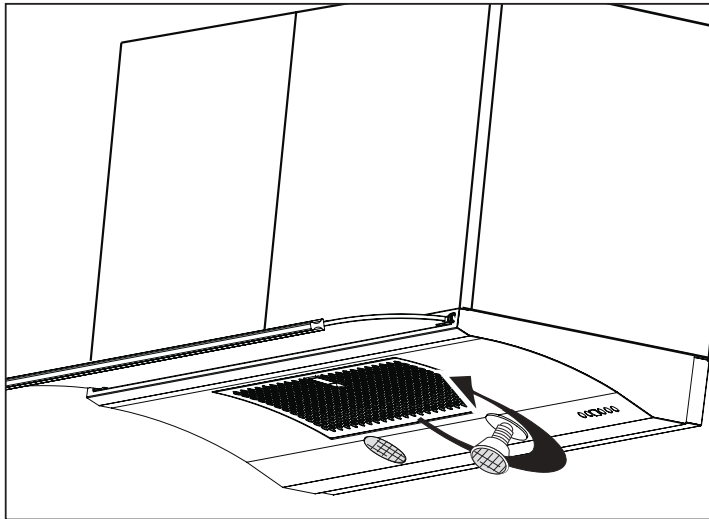
Make sure all power is turned off and bulbs are not hot.

Remove by turning bulb counter-clockwise. Note: Bulb does not unscrew; it turns 60 degrees, stops and falls out.

If bulbs are difficult to turn due to prolonged use, firmly attach a glass suction cup approximately the diameter of the bulb or use a rubber/latex glove to grip the bulb and turn counter clockwise.

Replacement bulbs are available at specialty lighting stores. Purchase type (MR16) GU-10 50W halogen.

For Zephyr part numbers please turn to page 21 of the manual.





182766

**Model: ZGE-E30/36AS290**

**Voltage 120V 60Hz 1.4A**

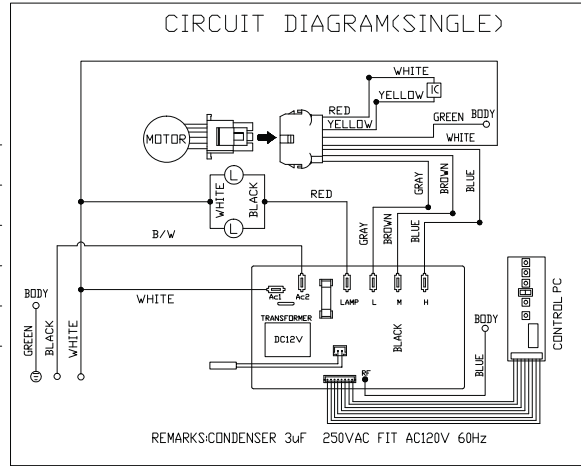
**Power consumption**

**Total: 167W**

**Lamp: 50Wx2**

**Fan: 67W**

**DATE:  
THERMALLY PROTECTED**



182766

**Model: ZGE-E30/36AS**

**Voltage 120V 60Hz 3.1A**

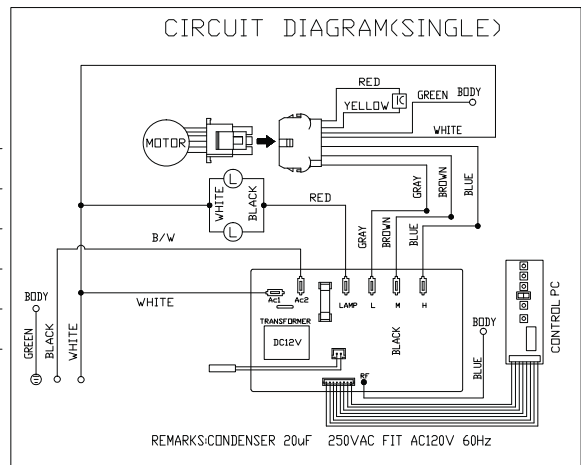
**Power consumption**

**Total: 370W**

**Lamp: 50Wx2**

**Fan: 270W**

**DATE:  
THERMALLY PROTECTED**



## TROUBLESHOOTING PROCEDURES FOR GENOVA

Issue	Cause	What to do
After installation, the unit doesn't work.	1. The power source is not turned ON.	1. Make sure the circuit breaker and the unit's power is ON.
	2. The power line and the cable locking connector is not connecting properly.	2. Check the power connection with the unit is connected properly.
	3. The switch board and control board wirings are disconnected.	3. Make sure the wirings between the switch board and control board are connected properly.
	4. The wires on control board are loose.	4. Make sure the wires on the control board are connected properly.
	5. The switch board or control board is defective.	5. Change the switch board or control board.
Light works, but motor is not turning.	1. The blower is defective, possible seized.	1. Change the blower.
	2. The thermally protected system detects if the motor is too hot to operate and shuts the motor down.	2. The motor will function properly after the thermally protected system cool down.
	3. Damaged capacitor.	3. Change the capacitor.
	4. The blower wire is not connected.	4. Make sure the blower wire is plugged into the molex connector.
The unit is vibrating.	1. The blower is not secure in place.	1. Tighten the blower screws in place.
	2. Damaged blower wheel.	2. Change the blower.
	3. The hood is not secured in place.	3. Check the installation of the hood.
The motor is working, but the lights are not.	1. Defective halogen bulb.	1. Change the halogen bulb.
	2. The light bulb is loose.	2. Tighten the light bulb.
	3. The wires on the control board are loose.	3. Make sure the wires on control board are connected properly.
The hood is not venting out properly.	1. The hood might be hanging too high from the cook top.	1. Adjust the distance between the cook top and the bottom of the hood within 24" and 32" range.
	2. Wind from opened windows or opened doors in the surrounding area is affecting the ventilation of the hood.	2. Close all the windows and doors to eliminate the outside wind flow.
	3. Blockage in the duct opening or duct work.	3. Remove all the blocking from the duct work or duct opening.
	4. The direction of duct opening is against the wind.	4. Adjust the duct opening direction.
	5. Using the wrong size of ducting.	5. Change the ducting to correct size.
Metal filter is vibrating.	1. Mesh filter is loose.	1. Change the mesh filter.
	2. Handle spring clip does not work properly	2. Adjust the handle until the spring clip works
RF Remote control does not work	1. Battery is dead	1. Replace battery with type A23 12v
	2. Poor communication with the hood	2. Remote control must be within 15 ft of hood
	3. RF remote lost communication with hood	3. Reset hood and remote by switching power off at the circuit breaker for 5 minutes. Place remote on counter top near hood and switch the circuit breaker back on.

---

<b>DESCRIPTION</b>	<b>PART#</b>
<b>Replacement Parts</b>	
Light Bulb GU10 50W (each)	Z0B0020
Decorative Mesh Filter	50200036
<b>Optional Accessories</b>	
Recirculating Kit	ZRC-00GE
Replacement Charcoal Filter (each)	Z0F-C0GE
RF Remote Control	14000005

To order parts, visit us online at <http://store.zephyronline.com> or call us at 1.888.880.8368

ESSENTIALS  
**ZEPHYR**  
Limited Warranty

**STAPLE YOUR RECEIPT HERE**  
**Proof of the original purchase**  
**date is needed to obtain**  
**service under warranty**

**TO OBTAIN SERVICE UNDER WARRANTY OR FOR ANY SERVICE RELATED QUESTIONS, please call:**  
**1-888-880-8368**

Zephyr Corporation (referred to herein as “we” or “us”) warrants to the original consumer purchaser (referred to herein as “you” or “your”) of Zephyr products (the “Products”) that such Products will be free from defects in materials or workmanship as follows:

**Three Year Limited Warranty for Parts:** For three years from the date of your original purchase of the Products, we will provide, free of charge, Products or parts to replace those that failed due to manufacturing defects. We may choose, in our sole discretion, to repair or replace parts before we elect to replace the Products.

**One Year Limited Warranty for Labor:** For one year from the date of your original purchase of the Products, we will provide, free of charge, the labor cost associated with repairing the Products or parts to replace those that failed due to manufacturing defects. After the first year from the date of your original purchase, you are responsible for all labor costs associated with this warranty.

**Warranty Exclusions:** This warranty covers only repair or replacement, at our option, of defective Products or parts and does not cover any other costs related to the Products including but not limited to: (a) normal maintenance and service required for the Products and consumable parts such as light bulbs, metal and carbon filters and fuses; (b) any Products or parts which have been subject to freight damage, misuse, negligence, accident, faulty installation or installation contrary to recommended installation instructions, improper maintenance or repair (other than by us); (c) commercial use of the Products or use otherwise inconsistent with its intended purpose; (d) natural wear of the finish of the Products or wear caused by improper maintenance, use of corrosive and abrasive cleaning products, pads, and oven cleaner products; (e) chips, dents or cracks caused by abuse or misuse of the Products; (f) service trips to your home to teach you how to use the Products; or (g) damage to the Products caused by accident, fire, floods or act of God. If you are outside our service area, additional charges may apply for shipping costs for warranty repair at our designated service locations and for the travel cost to have a service technician come to your home to repair, remove or reinstall the Products. After the first year from the date of your original purchase, you are also responsible for all labor costs associated with this warranty.

**Limitations of Warranty. OUR OBLIGATION TO REPAIR OR REPLACE, AT OUR OPTION, SHALL BE YOUR SOLE AND EXCLUSIVE REMEDY UNDER THIS WARRANTY. WE SHALL NOT BE LIABLE FOR INCIDENTAL, CONSEQUENTIAL OR SPECIAL DAMAGES ARISING OUT OF OR IN CONNECTION WITH THE USE OR PERFORMANCE OF THE PRODUCTS. THE EXPRESS WARRANTIES IN THE PRECEDING SECTION ARE EXCLUSIVE AND IN LIEU OF ALL OTHER EXPRESS WARRANTIES. WE HEREBY DISCLAIM AND EXCLUDE ALL OTHER EXPRESS WARRANTIES FOR THE PRODUCTS, AND DISCLAIM AND EXCLUDE ALL WARRANTIES IMPLIED BY LAW, INCLUDING THOSE OF MERCHANTABILITY AND FITNESS FOR A PARTICULAR PURPOSE.** Some states or provinces do not allow limitations on the duration of an implied warranty or the exclusion or limitation of incidental or consequential damages, so the above limitations or exclusions may not apply to you. To the extent that applicable law prohibits the exclusion of implied warranties, the duration of any applicable implied warranty is limited to the same two-year period described above. Any oral or written description of the Products is for the sole purpose of identifying the Products and shall not be construed as an express warranty. Prior to using, implementing or permitting use of the Products, you shall determine the suitability of the Products for the intended use, and you shall assume all risk and liability whatsoever in connection with such determination. We reserve the right to use functionally equivalent refurbished or reconditioned parts or Products as warranty replacements or as part of warranty service. This warranty is not transferable from the original purchaser and applies in the United States and Canada.

**To Obtain Service Under Limited Warranty:** To qualify for warranty service, you must: (a) notify us at the address or telephone number stated below within 60 days of the discovery of the defect; (b) give the model number and part identification number and serial number; and (c) describe the nature of any defect in the Product or part. At the time of the request for warranty service, you must present evidence of your proof of purchase and proof of the original purchase date. If we determine that the warranty exclusions listed above apply or if you fail to provide the necessary documentation to obtain service, you will be responsible for all shipping, travel, labor and other costs related to the services.

Please check our website for any revisions, [www.zephyronline.com](http://www.zephyronline.com).

**Zephyr Corporation Service Department, 2277 Harbor Bay Parkway, Alameda, CA 94502 1-888-880-8368**



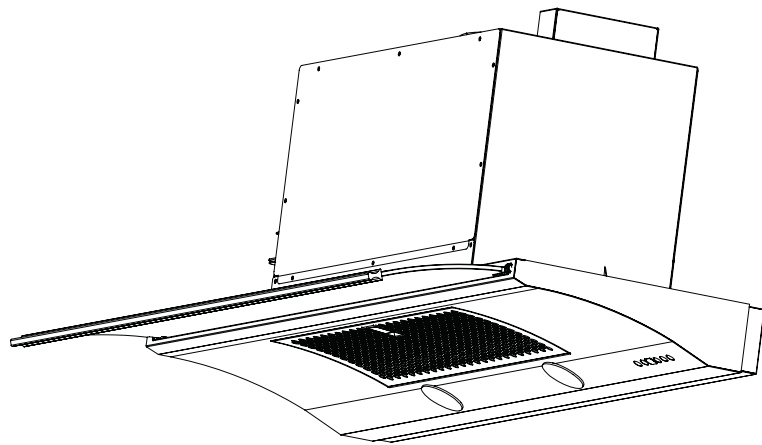
# Genova

ZGE-E30AS

ZGE-E36AS

ZGE-E30AS290

ZGE-E36AS290



C US

Numéro de modèle : \_\_\_\_\_

Numéro de série : \_\_\_\_\_



**MISE EN GARDE DE SÉCURITÉ**..... 2-3

**LISTE DU MATÉRIEL**..... 4

**INSTALLATION**

- Feuille de calcul pour le conduit..... 5
- Espace libre et hauteur de montage..... 6
- Options d'installation pour le conduit..... 7
- Spécifications de la hotte..... 8
- Préparation de l'armoire..... 9
- Installation de la hotte..... 10-12
- Reprise d'air sans conduit..... 13

**COMMANDES**

- Commandes à effleurement ..... 14-16
- Commande à distance (optionnel) ..... 17

**ENTRETIEN**

- Nettoyage des filtres et de la hotte..... 18
- Ampoules ..... 19
- Schéma de câblage..... 20

**DÉPANNAGE** ..... 21

**LISTES DES ACCESSOIRES ET DES PIÈCES** ..... 22

**AVERTISSEMENT**

POUR RÉDUIRE LES RISQUES D'INCENDIE OU DE DÉCHARGE ÉLECTRIQUE, N'UTILISEZ PAS CET APPAREIL AVEC UN TABLEAU DE COMMANDE À SEMI-CONDUCTEURS.

**AVERTISSEMENT**

POUR RÉDUIRE LES RISQUES D'INCENDIE, DE DÉCHARGE ÉLECTRIQUE OU DE BLESSURE, RESPECTEZ CES CONSIGNES :

- N'utilisez cet appareil que de la manière prévue par le fabricant. Si vous avez des questions, communiquez avec le fabricant.
- Avant de procéder au nettoyage ou à l'entretien de l'appareil, éteignez l'alimentation du panneau électrique et bloquez le dispositif de déconnexion pour éviter que l'alimentation électrique ne soit accidentellement rallumée. Si le dispositif de sectionnement d'électricité ne peut être bloqué, attachez un avertissement (comme une étiquette) bien en vue sur le tableau électrique.

**ATTENTION**

Pour ventilation générale seulement. N'utilisez pas cet appareil pour évacuer des vapeurs et des matériaux explosifs ou dangereux. Prenez garde lors de l'utilisation d'agents nettoyants ou de détergents. Ne devrait être utilisé que dans la cuisine de votre maison.

**AVERTISSEMENT**

POUR RÉDUIRE LES RISQUES DE FEU DE GRAISSE SUR LA SURFACE DE CUISSON :

- Ne laissez jamais l'appareil sans surveillance lors de son utilisation à haute température. Les débordements par bouillonnement causent de la fumée et des déversements de graisse qui peuvent prendre feu. Faites chauffer l'huile à des températures basses ou moyennes.
- Allumez toujours la hotte lorsque vous cuisinez à haute température ou que vous faites flamber des aliments.
- Nettoyez fréquemment les ventilateurs de la hotte. La graisse ne devrait jamais s'accumuler dans les ventilateurs ou les filtres.
- Utilisez des poêlons aux dimensions adéquates. Utilisez toujours une batterie de cuisine correspondant aux dimensions de l'élément.
- Assurez-vous que le ventilateur, les filtres et les surfaces où la graisse pourrait s'accumuler sont toujours propres.
- Utilisez le réglage haut de la hotte seulement lorsque nécessaire.
- Ne laissez pas la hotte sans surveillance lorsque vous cuisinez.
- Utilisez toujours une batterie de cuisine et des ustensiles convenant au type et à la quantité de nourriture que vous préparez.

**AVERTISSEMENT**

POUR RÉDUIRE LES RISQUES DE BLESSURE LORS D'UN INCENDIE SUR LA SURFACE DE CUISSON :

- ÉTOUFFEZ LES FLAMMES avec un couvercle, une plaque à biscuits ou un plateau de métal et éteignez ensuite le brûleur. PRENEZ GARDE AUX RISQUES DE BRÛLURE. Si les flammes ne disparaissent pas, ÉVACUEZ LES LIEUX ET APPELEZ LE SERVICE D'INCENDIE.
- NE PRENEZ JAMAIS UN POÊLON EN FEU – Vous pourriez vous brûler.
- N'UTILISEZ PAS D'EAU, ou un linge à vaisselle mouillé – une violente explosion de vapeur s'ensuivra.
- Utilisez un extincteur SEULEMENT si :
  - Vous savez que vous possédez un extincteur de classe ABC et vous savez vous en servir.
  - Le feu est faible et ne s'est pas répandu depuis son point d'origine.
  - Vous avez appelé le service d'incendie.
  - Vous pouvez sortir facilement de l'endroit où vous combattez le feu.

**AVERTISSEMENT**

POUR RÉDUIRE LES RISQUES D'INCENDIE, DE DÉCHARGE ÉLECTRIQUE OU DE BLESSURE, SUIVEZ LES CONSIGNES SUIVANTES :

- Les travaux d'installation et de câblage électrique doivent être faits par une personne qualifiée selon les stipulations de tous les normes et standards en vigueur, dont les normes des constructions ayant une cote de résistance au feu.
- Pour prévenir les contre-explosions, une certaine quantité d'air est nécessaire pour la combustion et l'évacuation des gaz par le carneau (cheminée) de l'appareil de combustion. Respectez les directives du fabricant d'outillage de chauffage et les normes de sécurité comme celles publiées par la NFPA (Association nationale des services d'incendie), par la Société américaine des ingénieurs en chauffage, réfrigération et climatisation (ASHRAE) et par les normes des autorités locales.
- Lorsque vous coupez ou percez un mur ou un plafond, assurez-vous de ne pas endommager le câblage électrique ou toute autre installation technique dissimulée.
- Les ventilateurs canalisés doivent toujours évacuer l'air à l'extérieur.
- N'installez JAMAIS un interrupteur à une distance atteignable depuis un bain ou une douche.
- Assurez-vous que l'alimentation électrique est éteinte avant de procéder à l'installation, au câblage ou à l'entretien de l'appareil.

## ATTENTION

POUR RÉDUIRE LES RISQUES D'INCENDIE, N'UTILISEZ QUE DES CONDUITS D'AÉRATION EN MÉTAL.

## ATTENTION

Pour réduire les risques d'incendie et pour évacuer l'air convenablement, assurez-vous de canaliser l'air à l'extérieur de la maison. N'installez pas l'échappement du conduit dans les espaces entre les murs, le plafond, le grenier, les vides sanitaires ou le garage.

## FONCTIONNEMENT

Laissez toujours les grilles de sûreté et les filtres en place. Sans ces éléments, les ventilateurs en marche pourraient accrocher des cheveux, des doigts ou des vêtements amples.

Le fabricant se dégage de toute responsabilité dans les cas de non-respect des instructions transmises dans le présent manuel pour l'installation, l'entretien et l'utilisation adéquate du produit. Le fabricant se dégage également de toute responsabilité pour des blessures qui résulteraient de la négligence lors de l'utilisation. De plus, la garantie prend fin automatiquement lors de l'entretien inapproprié de l'appareil.

**\*NOTE : Veuillez communiquer avec nous ou visitez le [www.zephyronline.com](http://www.zephyronline.com) pour obtenir des révisions avant de procéder à des travaux sur commande.**

## EXIGENCES ÉLECTRIQUES

### Important :

Respectez tous les codes et règlements en vigueur.

Il est de la responsabilité du client de :

- Communiquer avec un installateur-électricien qualifié.
- S'assurer que l'installation électrique est adéquate et qu'elle respecte le Code national de l'électricité, la plus récente édition\* du ANSI/NFPA 70 ou des normes du CSA C22.1-94, le Code canadien de l'électricité, section 1, la plus récente édition\*\* du code C22.2 No.0-M91 ainsi que tous les codes et règlements en vigueur.

Si les codes permettent l'utilisation d'un fil de garde isolé et que vous en utilisez un, il est recommandé qu'un électricien qualifié détermine si le cheminement du fil est adéquat.

N'effectuez pas la mise à la terre à un tuyau de gaz.

Demandez à un électricien qualifié si vous n'êtes pas certain que la hotte a été mise à la terre adéquatement.

N'introduisez aucun fusible dans le circuit neutre ou de mise à la terre.

\*National Fire Protection Association Batterymarch Park, Quincy, Massachusetts 02269

\*\* CSA International 8501 East Pleasant Valley Road, Cleveland, Ohio 44131-5575

Cet appareil requiert une alimentation électrique de 120V 60Hz. Il doit être connecté à un circuit terminal individuel dûment mis à la terre, protégé par un disjoncteur de circuit ou un fusible temporisé de 15 ou 20 ampères. Le câblage doit compter 2 fils avec mise à la terre. Veuillez vous référer au Diagramme électrique étiqueté sur l'appareil.

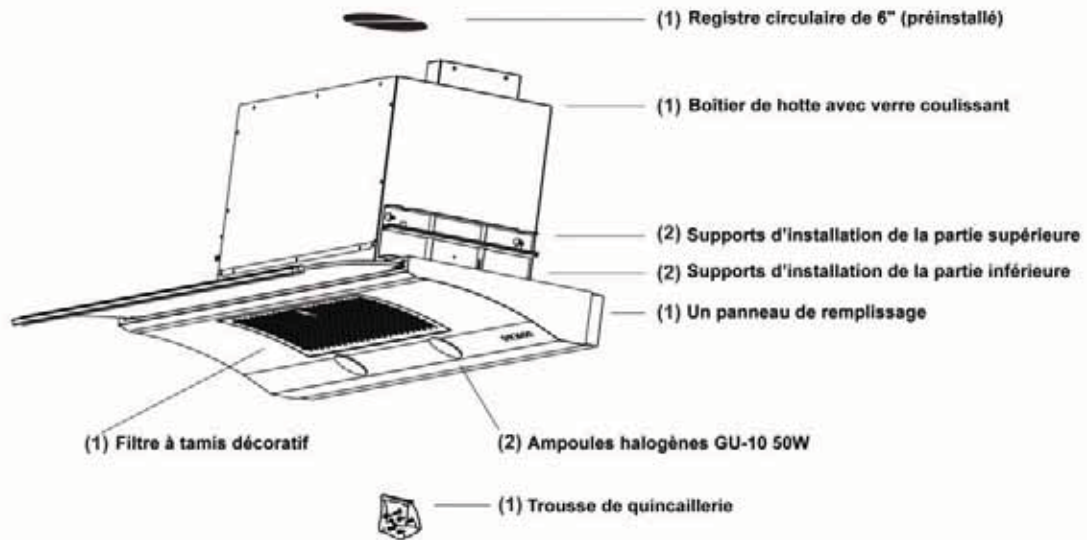
Un raccord de câble (non inclus) pourrait également être exigé par les normes et réglementations locales. Informez-vous des exigences et des normes locales. Achetez et installez le connecteur approprié si nécessaire.

ZGE-E30AS, ZGE-E36AS - 370 Watts, 3,1 Ampères

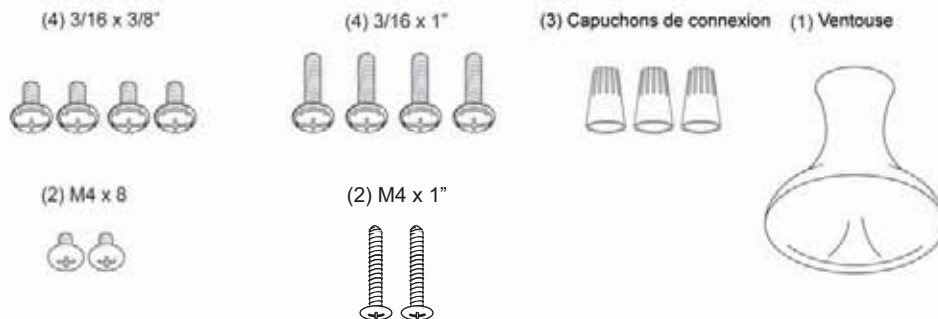
ZGE-E30AS290, ZGE-E36AS290 - 167 Watts, 1,4 Ampères

MODELS: ZGE-E30AS, ZGE-E30AS290, ZGE-E36AS, ZGE-E36AS290

**PIÈCES FOURNIES**

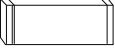


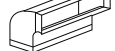



















**CONTENU DE LA TROUSSE DE QUINCAILLERIE**



**PIÈCES NON FOURNIES**

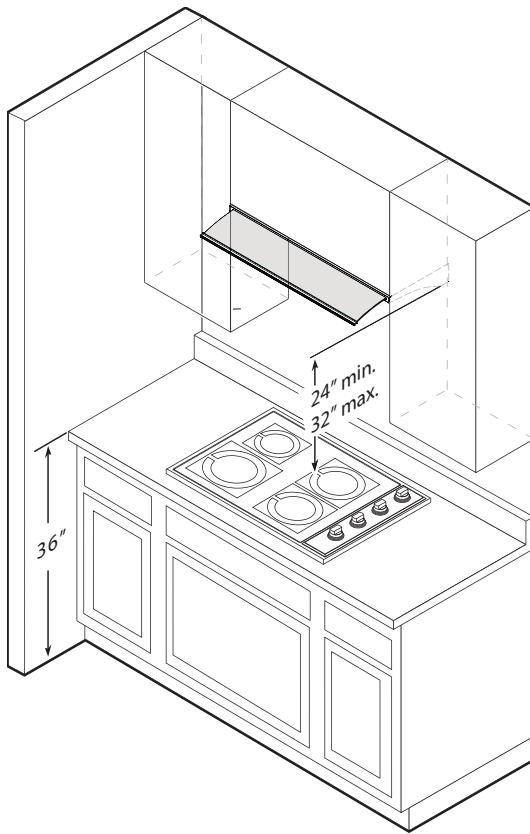
- Conduit et tous les outils d'installation
- Raccord de câble (si exigé par les codes en vigueur)
- Accessoire – reprise d'air – ZRC-00GE
- Commande à distance 14000005

Pièces de conduit		Longueur x Nombre utilisé	Total
	3-1/4" x 10" rect., droit	1 pi x ( ) =	pi
	6" circ., droit	1 pi x ( ) =	pi
	7" circ., droit	1 pi x ( ) =	pi
	3-1/4" x 10" rect., coude à 90°	15 pi x ( ) =	pi
	3-1/4" x 10" rect., coude à 45°	9 pi x ( ) =	pi
	3-1/4" x 10" rect., coude plat à 90°	24 pi x ( ) =	pi
	3-1/4" x 10" embout mural rect./registre	30 pi x ( ) =	pi
	3-1/4" x 10" rect. à circ. de 6"	5 pi x ( ) =	pi
	3-1/4" x 10" coude à 90° rect. à circ. de 6"	20 pi x ( ) =	pi
	6" circ., coude à 90°	15 pi x ( ) =	pi
	6" circ., coude à 45°	9 pi x ( ) =	pi
Sous-total - colonne 1 =			pi

Pièces de conduit		Longueur x Nombre utilisé	Total
	6" embout mural circ./registre	30 pi x ( ) =	pi
	6" chapeau de toiture circ.	30 pi x ( ) =	pi
	6" circ. à rect. de 3-1/4" x 10"	1 pi x ( ) =	pi
	6" circ. à rect. de 3-1/4" x 10", coude à 90°	16 pi x ( ) =	pi
	7" or 10" circ., coude à 90°	15 pi x ( ) =	pi
	7" or 10" circ., coude à 45°	9 pi x ( ) =	pi
	7" or 10" embout mural circ./registre	30 pi x ( ) =	pi
	7" or 10" circ., chapeau de toiture	30 pi x ( ) =	pi
	7" circ. à rect. de 3-1/4" x 10"	8 pi x ( ) =	pi
	7" circ. à rect. de 3-1/4" x 10", coude à 90°	23 pi x ( ) =	pi
Sous-total - colonne 2 =			pi
Sous-total - colonne 1 =			pi
Total du conduit =			pi

**Longueur maximale du conduit d'aération :**

Pour un mouvement d'air convenable, la longueur totale d'un conduit d'aération rectangulaire de 3 1/4" x 10", ou circulaire de 6" ou 7" de diamètre, ne devrait pas compter plus que l'équivalent de 100 pieds.



### CONDUIT D'AÉRATION

Un conduit circulaire de 6" doit être utilisé pour assurer une circulation d'air maximale.

N'utilisez que des conduits en métal rigide. Les conduits souples pourraient réduire la circulation d'air jusqu'à 50 %.

Utilisez la feuille de calcul pour obtenir la longueur totale du conduit.

Lorsqu'il possible de le faire, diminuez TOUJOURS le nombre de pièces et de changements de direction. Si un long tronçon de conduit est nécessaire, augmentez le diamètre du conduit de 6" à 7" ou 8".

Si des changements de direction ou des adaptateurs sont nécessaires, installez-les le plus loin possible de l'ouverture et le plus éloigné possible l'un de l'autre.

La hauteur de montage de la surface de la cuisinière au bas de la hotte ne devrait pas être inférieure à 24" et supérieure à 32".

Il est important d'installer la hotte à la hauteur de montage adéquate. Les hottes installées trop basses pourraient être endommagées par la chaleur en plus de présenter des risques d'incendie plus élevés tandis que les hottes installées trop hautes seront difficiles à atteindre et verront leur efficacité et leur rendement réduits.

Si elles sont disponibles, consultez les exigences de hauteur d'espace libre requise par le fabricant de la cuisinière ainsi que la hauteur recommandée de montage de la hotte au-dessus de la surface de cuisson. Informez-vous toujours des normes et des réglementations locales en vigueur pour toute différence par rapport aux normes du fabricant.

### ENDOMMAGEMENT LORS DE LA LIVRAISON/ INSTALLATION :

- Veuillez vous assurer que toutes les pièces de l'appareil ne sont pas endommagées avant l'installation.
- Si l'appareil est endommagé durant la livraison, retournez l'appareil à l'endroit où vous l'avez acheté pour réparation ou remplacement.
- Si l'appareil est endommagé par le client, la réparation ou le remplacement est à la charge du client.
- Si l'appareil est endommagé par l'installateur (si autre que le client), le client et l'installateur doivent en venir à une entente pour la réparation ou le remplacement.



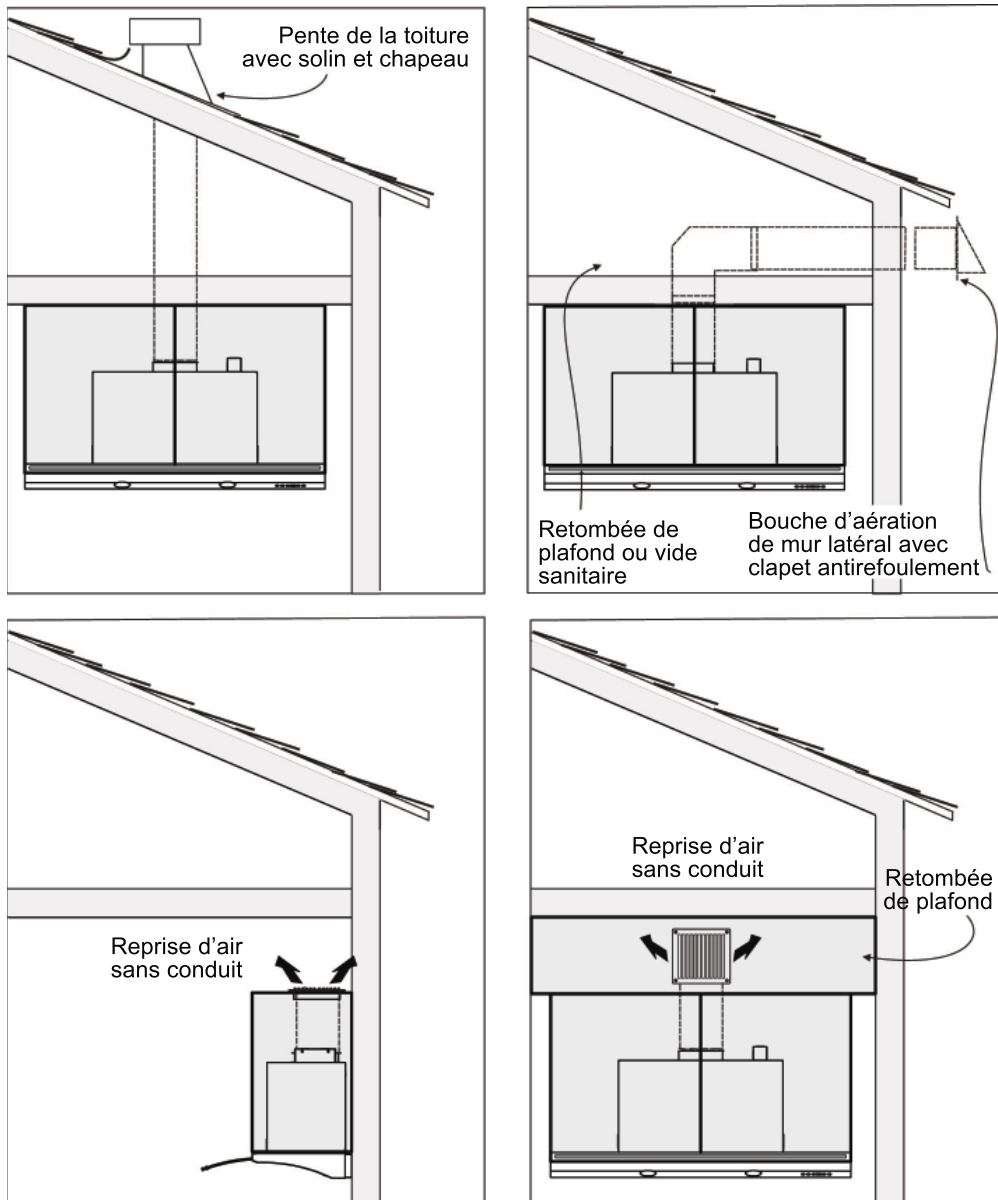
### AVERTISSEMENT DE RISQUE D'INCENDIE

N'évacuez ou ne terminez JAMAIS l'échappement du conduit dans les espaces entre les murs, les vides sanitaires, le plafond, le grenier, ou le garage. Tous les échappements doivent être dirigés à l'extérieur de la maison, à moins que l'option de reprise d'air ne soit utilisée.

N'utilisez que des conduits en métal pour cloison simple.

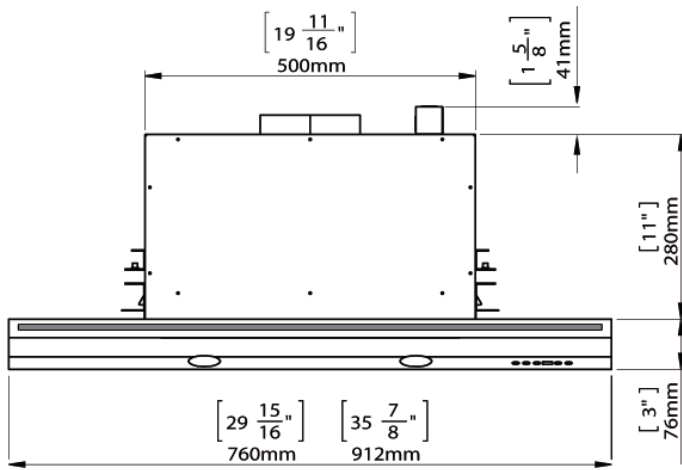
Fixez toutes les pièces du conduit avec des vis à tôle et isolez tous les joints avec du ruban adhésif en toile ou du ruban réflecteur certifié.

#### Exemples d'options pour le conduit d'aération

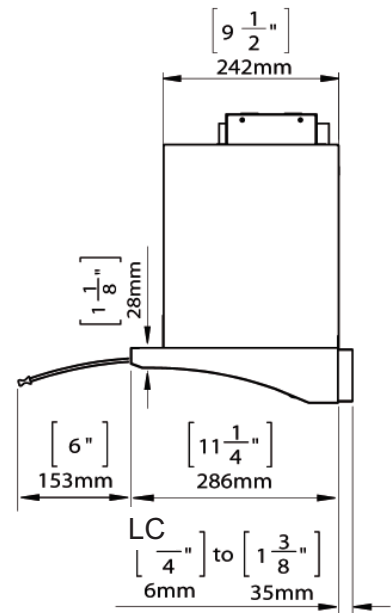


# Installation – Spécifications de la hotte

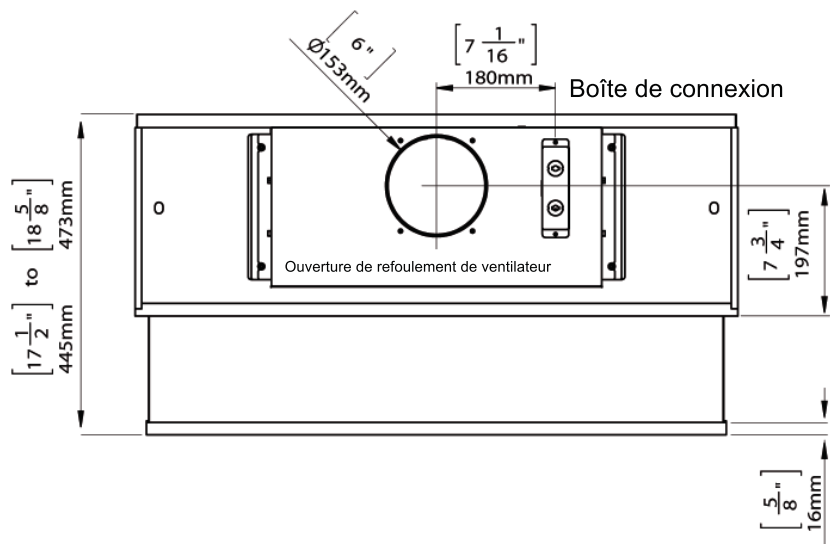
Devant de la hotte

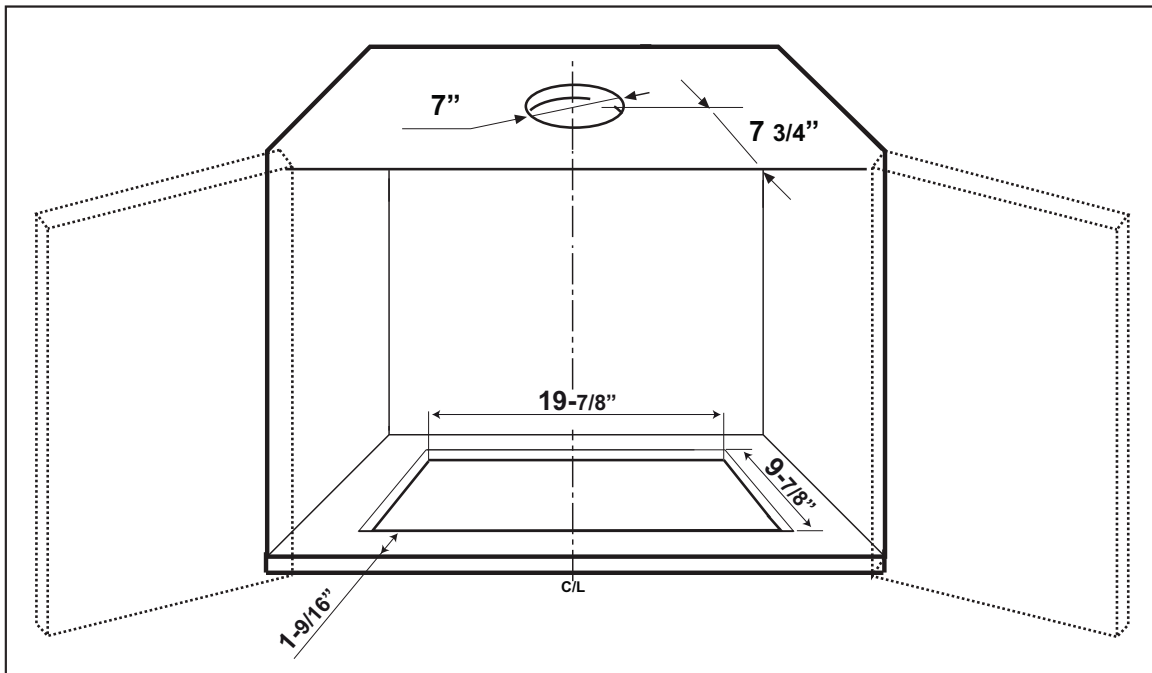


Côté de la hotte

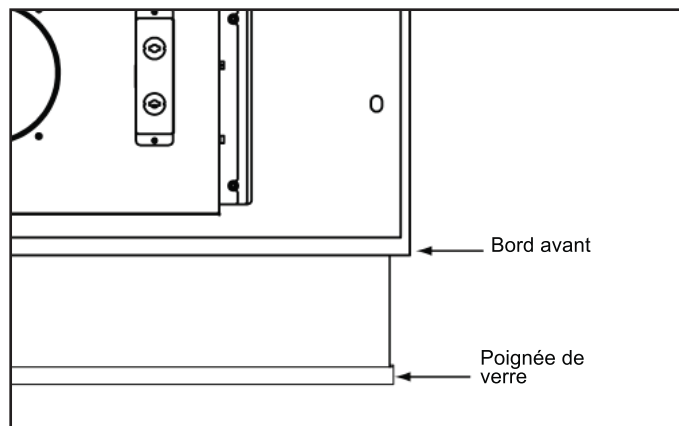


Dessus de la hotte





**Fig.1**



**Fig.2**

1. Calculez et marquez la ligne centrale sur le mur et sur le bas de l'armoire avec un crayon.
2. Si le bas de l'armoire est enfoncé, vous devrez installer des blocs de bois pour aligner correctement le bas de l'armoire avec la hotte. Les blocs de bois devraient arriver à ras du bas de l'armoire.
3. Respectez les dimensions de la Fig.1 et coupez le bas de l'armoire pour créer une ouverture permettant l'installation de l'armoire. Si vous avez une armoire sans cadre, calculez la distance de 1-9/16" (mentionné à la Fig.1) à partir de l'avant de la porte de l'armoire. Ainsi, le rebord avant de la hotte arrivera à égalité avec les portes de l'armoire lorsqu'elles seront fermées. Voir Fig.2.

**⚠ AVERTISSEMENT :** Le câblage électrique doit être effectué par une ou des personnes qualifiées selon les stipulations de tous les normes et standards en vigueur. La mise à la terre de cette hotte doit être faite convenablement. Éteignez l'alimentation électrique à l'entrée de service avant de procéder au câblage.

1) Préparez le câblage électrique et le conduit dans l'armoire. Les emplacements de la boîte de connexion et l'ouverture de refoulement de ventilateur sont indiqués à la page 8.

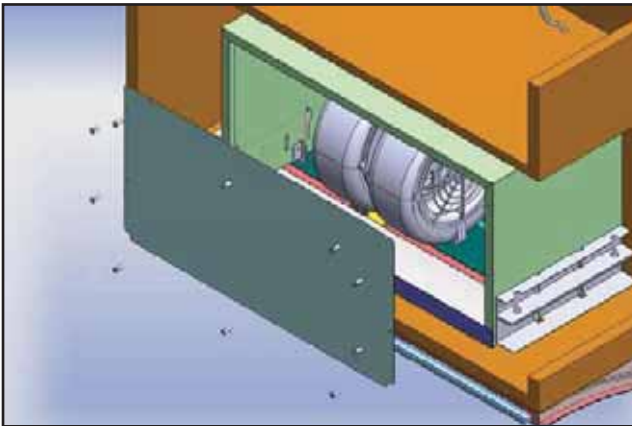


Fig.3

2) Dévissez les (10) vis du panneau avant et laissez le panneau de côté, Fig.3. Vous aurez maintenant accès à l'intérieur de la hotte.

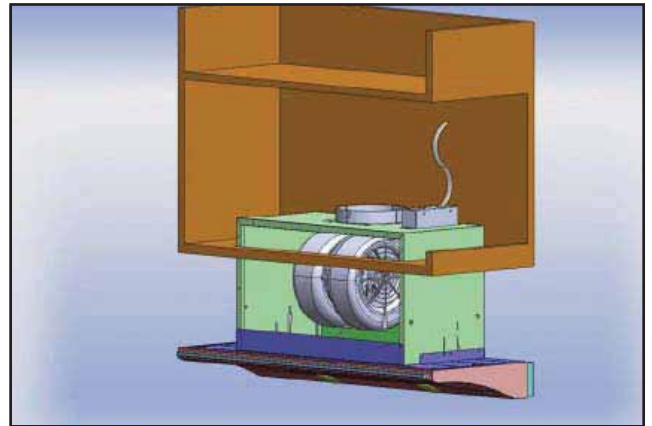


Fig.4

3) Ouvrez les portes de l'armoire. Soulevez la hotte et faites-la glisser dans l'ouverture située au bas de l'armoire, Fig.4. Assurez-vous que l'ouverture correspond aux dimensions indiquées à la page 9, Fig.1.

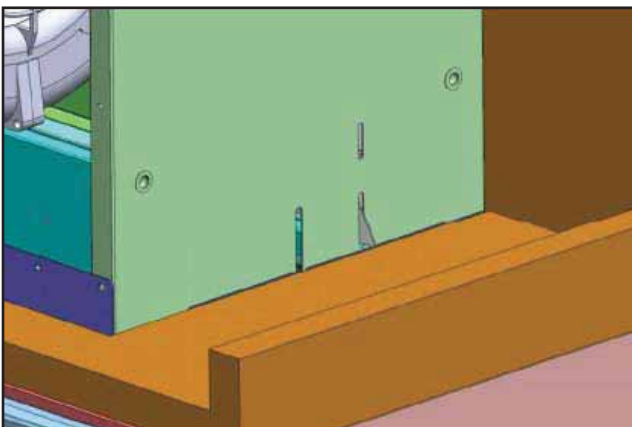


Fig.5

4) Des attaches à ressort sont situées sur les côtés gauche et droit du boîtier de la hotte. Elles tiendront temporairement la hotte en place, Fig.5.

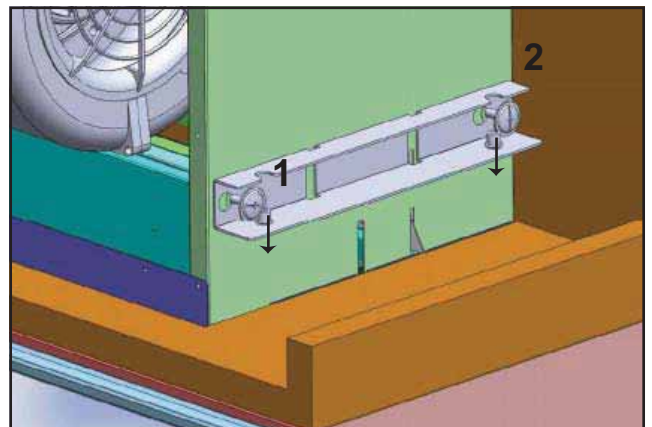


Fig.6

5) Fixez les supports supérieurs aux côtés gauche et droit du boîtier de la hotte à l'aide de (2) vis 3/16 x 3/8" par support, Fig.6. Assurez-vous que les (2) trous à vis pour les écrous imperdables pointent vers le bas. Note : Compte tenu de l'espace de travail restreint pour les armoires des hottes de 30", vous devrez utiliser un tournevis à angle droit ou un tournevis cruciforme de 2".

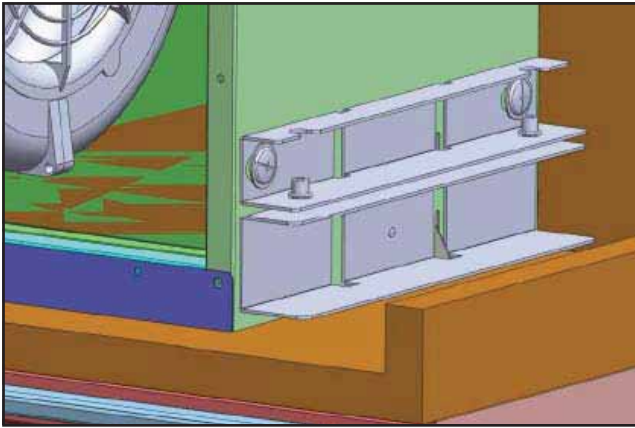


Fig.7

6) Placez les supports d'installation inférieurs sous les supports d'installation supérieurs situés sur les côtés gauche et droit du boîtier de la hotte, Fig.7. Note : La partie plus large des supports d'installation inférieurs devrait se trouver au bas de la hotte.

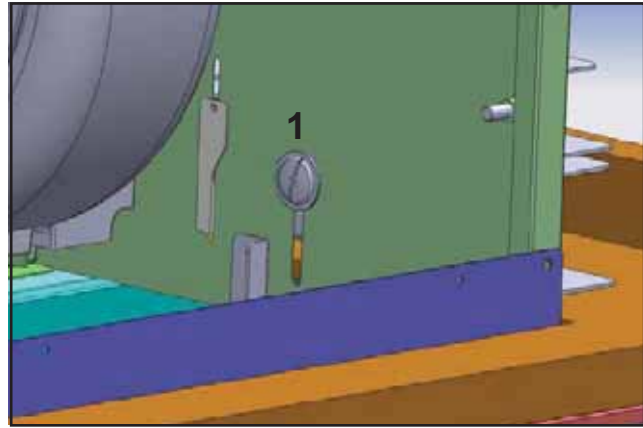


Fig.8

7) À partir de l'intérieur de la hotte, fixez (1) vis M4x8 dans chaque support d'installation inférieur. La position de ces vis est ajustable et s'adapte à différentes épaisseurs de dessous d'armoire, Fig.8. Ne serrez pas complètement les vis pour l'instant.

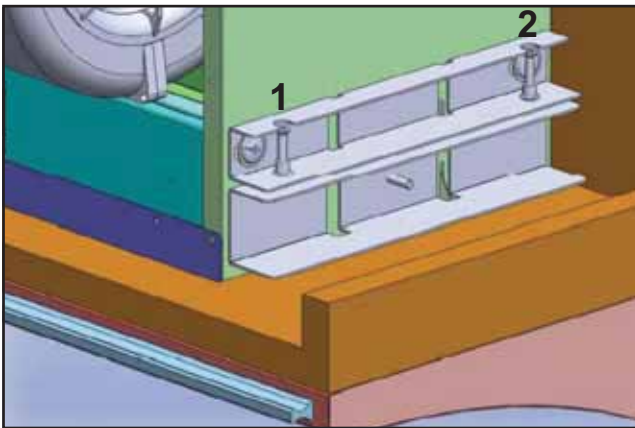


Fig.9

8) Installez (2) vis 3/16x1" dans les écrous imperdables de chaque support d'installation supérieur. Serrez les vis pour ajuster la hauteur de la hotte jusqu'à ce qu'il n'y ait plus d'espace entre le bas de l'armoire et le rebord avant de la hotte, Fig.9. Une fois que la hotte est en place, serrez complètement les vis des supports d'installation inférieurs de l'étape 7, Fig.8-1.

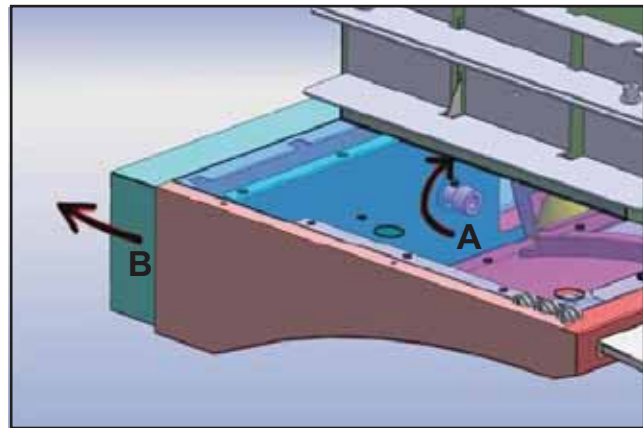
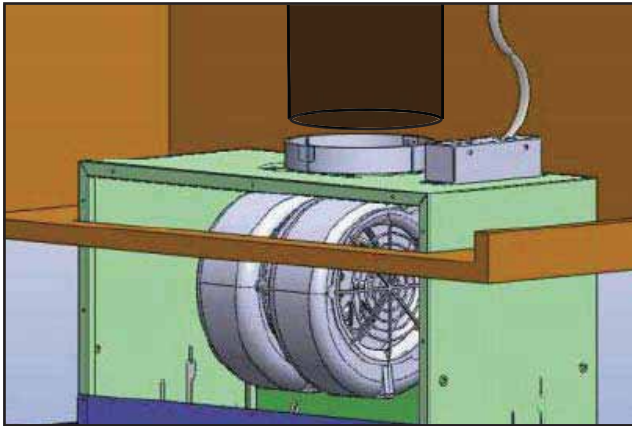


Fig.10

9) Un panneau de remplissage est inclus pour composer avec les différentes profondeurs d'armoire. Deux vis de serrage sont situées à l'intérieur de la hotte sur les côtés gauche et droit à l'arrière de la hotte, Fig.10A. Tournez chaque vis de serrages dans le sens des aiguilles d'une montre pour pousser le panneau de remplissage vers le mur, Fig.10B. Serrez les vis de serrage jusqu'à ce que le panneau de remplissage touche au mur et qu'il soit bien fixé en place. Consultez les spécifications de la page 8 pour les profondeurs d'armoire possible.

**Installation – Installation de la hotte**

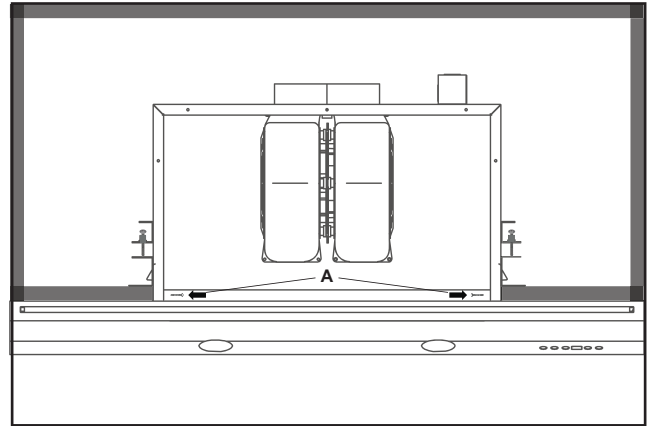


**Fig.11**

10) Placez le conduit circulaire de 6" par-dessus le collier du ventilateur et fixez le tout avec du ruban à conduit en aluminium. Si vous utilisez la hotte en mode de reprise d'air, allez à la page 13.

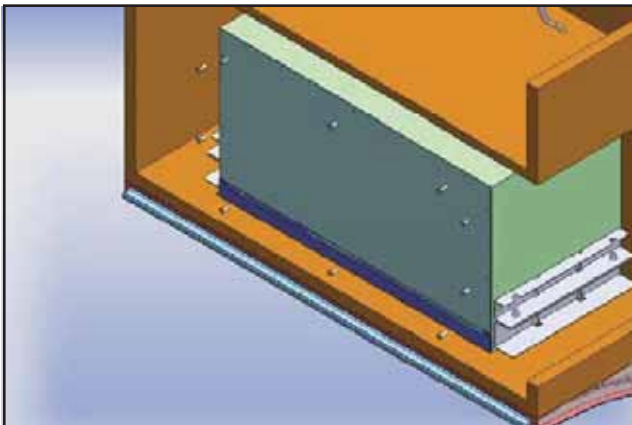
Installez le câblage électrique. Note : Un raccord de câble (non inclus) pourrait également être exigé par les normes et réglementations locales. Informez-vous des exigences et des normes locales. Achetez et installez le connecteur approprié si nécessaire.

Assurez-vous qu'aucun matériel d'emballage ne se trouve à l'intérieur de la hotte. Allumez la hotte, assurez-vous qu'il n'y a pas de fuites où il y a du ruban à conduit et assurez-vous du bon fonctionnement de toutes les fonctions.



**Fig.12A**

11) Secure (2) 1 "vis à bois (A) dans les trous de vis sur les côtés gauche et droit de l'ouverture du filtre. Ainsi, pourra le corps de la hotte à la base du cabinet et de prévenir le capot de se déplacer après installation.



**Fig.12B**

12) Remettez le panneau avant sur la hotte et fixez-le en place à l'aide des (10) vis que vous aviez préalablement enlevées à l'étape 2.

La configuration de reprise sans conduit a été conçue pour les applications où il est impossible d'installer un conduit d'aération. Lorsque transformée, la hotte fonctionne comme une hotte de reprise d'air plutôt que comme un système d'évacuation d'air. Les vapeurs et fumées de cuisson sont aspirées et filtrées par un ensemble optionnel de filtres à charbon. L'air est ensuite purifié et redirigé à l'intérieur de la maison.

Nous recommandons de TOUJOURS évacuer l'air à l'extérieur de la maison en utilisant le conduit en place ou, s'il y a possibilité, en installant un nouveau conduit. La hotte est plus efficace lorsqu'utilisée comme système d'évacuation d'air. Vous ne devriez recourir à la configuration de reprise d'air que lorsqu'il est impossible d'installer un conduit d'aération.

Lorsque la configuration de reprise d'air est choisie, un filtre à charbon doit être installé sur le filtre à tamis décoratif. Commandez-les en vous référant au numéro de pièce ci-dessous. Le filtre à tamis décoratif est conçu pour capturer les résidus de cuisson et le filtre à charbon optionnel aide à la purification des vapeurs et fumées de la cuisson lors de la reprise d'air.

### ENSEMBLE DE REPRISE D'AIR (REQUIS SI AUCUN CONDUIT N'EST UTILISÉ)

L'ensemble comprend un filtre à charbon et un déflecteur d'air.

Modèle de hotte	Numéro de pièce	Filtres par paquet
ZGE (tous les modèles)	ZRC-00GE	1

1. Procurez-vous l'ensemble de reprise d'air en utilisant le numéro de pièce ci-dessus
2. Retirez le filtre à tamis décoratif de la hotte et placez le filtre à charbon au-dessus du filtre à tamis. Fixez le filtre à charbon au filtre à tamis en utilisant les supports à câble fournis, tel qu'illustré sur la Fig. 13.
3. Réinstallez le filtre à tamis décoratif.
4. Pour que la reprise d'air se fasse convenablement, un évent de reprise d'air doit être installé pour permettre à l'air recyclé d'être relâché dans la cuisine, Fig. 14. Un conduit doit être installé du ventilateur à l'évent. L'évent de reprise d'air peut être placé sur le dessus de l'armoire, ou dans le plafond ou vide sanitaire.
5. Allumez l'indicateur de changement du filtre sur le tableau de commande (voir page 15).
6. Le filtre à charbon doit être remplacé après 120 heures d'utilisation (ou approximativement tous les 3-4 mois à raison de 1 heure d'utilisation quotidienne). Le microprocesseur peut être réglé pour calculer le temps d'utilisation et vous indiquer quand changer le filtre, toutes les 120 heures d'utilisation.

### Remplacement du filtre à charbon

Modèle de hotte	Numéro de pièce	Quantité à commander
ZGE (Tous les modèles)	Z0F-C0GE	1

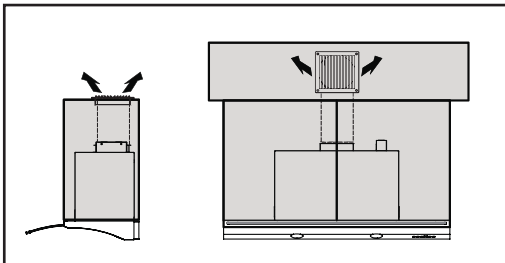


FIG.14

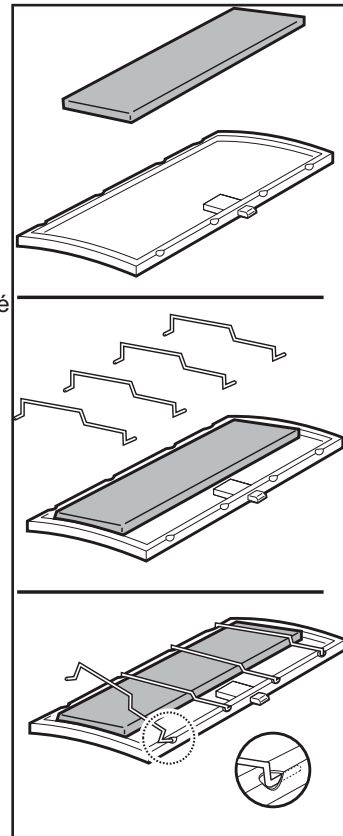
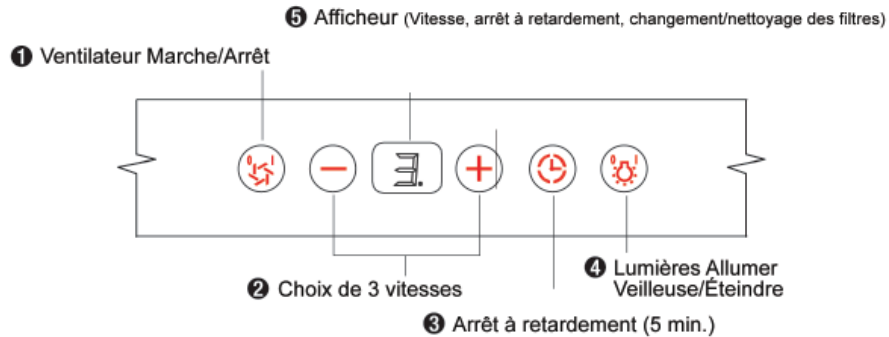




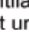



FIG.13

Installation - Reprise d'air sans conduit





- 1 Ventilateur : Marche/Arrêt**  
 En appuyant sur , le ventilateur est mis en marche ou arrêté. Lorsque vous l'allumez, le ventilateur se met en marche à la vitesse à laquelle il fonctionnait lorsque vous l'avez éteint. Lorsque vous l'éteignez, toutes les fonctions de l'appareil cessent de fonctionner, y compris les lumières.
- 2 Choix de vitesse**  
 Les 3 vitesses sont choisies en appuyant sur  pour diminuer la vitesse et sur  pour l'augmenter. L'afficheur indique la vitesse choisie. Vous pouvez également mettre l'appareil en marche en appuyant sur .
- 3 Arrêt à retardement**  
 Cette fonction est utilisée pour arrêter le ventilateur et éteindre les lumières automatiquement 5 minutes après son activation. En appuyant une fois sur  un point clignotera dans la partie inférieure droite de l'afficheur pour vous confirmer que la fonction a été activée. Le ventilateur changera à la vitesse et s'éteindra après 5 minutes.
- 4 Lumières Allumer/Veilleuse/Éteindre**  
 Appuyez une fois sur  pour allumer les lumières, une deuxième fois pour les mettre en veilleuse et une troisième fois pour les éteindre.
- 5 Afficheur**  
 Affiche la vitesse du ventilateur, l'arrêt à retardement, l'indicateur de nettoyage et de remplacement des filtres.

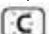
**NOTE :** En fermant le boîtier de verre, le ventilateur et les lumières s'éteindront. En l'ouvrant, le ventilateur et les lumières s'allumeront aux mêmes réglages. Les lumières peuvent fonctionner lorsque le boîtier de verre est fermé, mais celui-ci doit être ouvert pour faire fonctionner le ventilateur.

Le filtre à tamis décoratif doit être nettoyé fréquemment et comme recommandé pour maintenir l'efficacité du ventilateur. Si l'appareil n'est pas entretenu correctement, les résidus de cuisson s'amasseront dans les filtres et endommageront le ventilateur de la hotte et d'autres éléments fragiles. Des engorgements de graisse pourraient aussi avoir lieu dans le conduit et se solder par de plus grands risques d'incendie.






### Rappel de changement du filtre à charbon (si installé)


Lorsque la hotte est installée en mode de reprise d'air, elle est équipée d'un filtre à charbon qui purifie les vapeurs et fumées de cuisson et redirige l'air à l'intérieur de la maison. Ce filtre à charbon doit être remplacé toutes les 120 heures d'utilisation. Le filtre à charbon ne devrait jamais être nettoyé ou mis au lave-vaisselle.

La fonction de rappel de changement du filtre à charbon dans le microprocesseur doit être activée. Le microprocesseur, lorsque activé, compte le temps d'utilisation et vous rappelle, grâce au signe clignotant  lorsque vous devez remplacer le filtre à charbon.




### Rappel de changement du filtre à charbon (si installé)

Lorsque l'appareil est hors circuit, appuyez environ 5 secondes sur . L'afficheur change alors de  (mode d'évacuation) à  (mode de reprise d'air). Cette icône indique que la fonction de compte-minutes est activée et que le filtre à charbon est utilisé.

### Indicateur de remplacement du filtre à charbon :

Lorsque l'icône  se met à clignoter sur l'afficheur, le filtre à charbon doit être remplacé. Procurez-vous des filtres à charbon de remplacement chez Zephyr.

### Fonction de réinitialisation :

Une fois que le filtre a été remplacé (avec la hotte hors circuit), appuyez quelques secondes sur  et l'afficheur s'allumera. Appuyez environ 5 secondes pour que l'icône  disparaisse de l'afficheur . L'indicateur de changement du filtre est maintenant réinitialisé et un nouveau cycle de 120 heures commence.

#### Sélectionner le mode

Appuyez 5 secondes. Afficheur passe de <-> à <C>



#### Remplacement du filtre

L'icône <C> clignote



#### Pour réinitialiser

Appuyez 5 secondes. Afficheur passe de <-> à <C>



**Indicateur de nettoyage du filtre décoratif (filtre à tamis métallique)**

Que votre hotte soit installée en mode de reprise ou d'évacuation d'air, un filtre à tamis décoratif est installé par le fabricant. Ce filtre à tamis a pour fonction de filtrer les résidus de cuisson. Il ne nécessite aucun remplacement sur une base régulière, mais il doit être gardé propre. La fonction de rappel de nettoyage du filtre du microprocesseur indique automatiquement, à l'aide d'une icône qui clignote **XX**, quand le filtre doit être nettoyé, chaque 30 heures d'utilisation. Le filtre peut être nettoyé à la main, avec du détergent non abrasif, ou au lave-vaisselle. Si le filtre est très sale, il est recommandé de le faire tremper dans un détergent pour graisse avant de procéder au nettoyage.



**Indicateur de nettoyage du filtre à tamis décoratif**

Lorsque l'icône **F** se met à clignoter sur l'afficheur, le filtre en place doit être nettoyé. Cela se produira après 30 heures d'utilisation.

**Nettoyage du filtre**

L'icône <A> clignote

**Fonction de réinitialisation**

Une fois que le filtre a été nettoyé et réinstallé, réinitialisez l'indicateur de nettoyage du filtre (avec la hotte hors circuit). Appuyez environ 5 secondes sur la touche  pour que l'afficheur apparaisse. Appuyez encore 5 secondes pour que l'icône **F** disparaisse . La fonction de rappel de nettoyage du filtre est maintenant réinitialisée et un nouveau cycle de 30 heures commence.

**Pour réinitialiser**

Appuyez 5 secondes Afficheur passe de <-> à <C>



**Mise en garde de la Commission fédérale des communications:** Dans le but d'assurer une conformité continue, toute modification apportée sans l'approbation expresse du parti responsable de la conformité pourrait annuler l'autorisation de l'utilisateur de faire fonctionner cet appareil. Cet appareil respecte l'article 15 des réglementations FCC. Le fonctionnement doit respecter les deux réglementations suivantes : (1) cet appareil ne doit pas causer de brouillage nuisible et (2) cet appareil doit pouvoir recevoir tout type d'interférence, dont des interférences qui pourraient causer un fonctionnement involontaire.

**La commande à distance est vendue séparément comme accessoire en option. Achetez la pièce Zephyr portant le numéro 1400005**

Cette commande à distance peut fonctionner dans un environnement humide, mais pas lorsque laissée sur une surface trempée

**SYNCHRONISATION:** Pour créer un lien unique entre votre hotte de cuisinière et de contrôle à distance s'il vous plaît suivre les étapes ci-dessous:

1. Avec hotte appuyez et maintenez les "lumières" sur la hotte jusqu'à ce que la lettre "F" apparait sur l'écran.
2. Appuyez sur le "lumières" sur la télécommande, les lumières sur le capot se mettra en marche. La synchronisation est terminée.

### FONCTIONS DE CONTROLE A DISTANCE:

La commande à distance radioélectrique est munie d'un aimant pour un entreposage facile. la commande peut être placé sur n'importe quelle surface magnétique, comme un réfrigérateur ou le support à commande zephyr. la distance maximale de l'appareil à laquelle la commande fonctionne est de 15 pieds.

Ventilateur Marche/  
Choix de vitesses ①

② Ventilateur Marche/Arrêt



Arrêt à retardement  
de 5 min. ③

④ Ventilateur Marche/Arrêt

#### ① Ventilateur Allumer/Choix de vitesses

En appuyant sur le ventilateur est mis en marche. Appuyez de nouveau sur pour choisir l'une des trois vitesses de fonctionnement dési-

#### ② Ventilateur Marche/Arrêt

En appuyant sur le ventilateur se met en marche à la vitesse à laquelle vous l'aviez éteint. Appuyez de nouveau sur et toutes les

#### ③ Arrêt à retardement

En appuyant sur le ventilateur et les lumières entrent en mode d'arrêt à retardement. Un point clignotera dans la partie inférieure droite de l'afficheur pour vous confirmer que la fonction a été activée. La hotte changera à la vitesse 1 et s'éteindra après 5 minutes.

#### ④ Lumières : Allumer/Veilleuse/Éteindre

Appuyez une fois sur le bouton pour allumer les lumières, une deuxième fois pour les mettre en veilleuse et une troisième fois pour les éteindre.

### ENTRETIEN DE LA COMMANDE À DISTANCE:

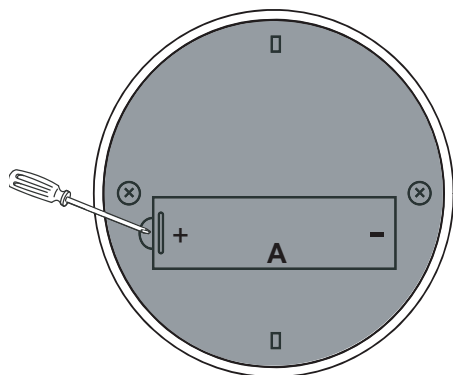
Nettoyez la commande à distance avec des détergents non abrasifs.

#### Suivez les instructions ci-dessous pour remplacer la pile.

Enlevez le couvercle du compartiment à pile (A) à l'aide d'un tournevis plat pour avoir accès à la pile.

Enlevez la pile et remplacez-la avec une pile de type A23 12V. L'extrémité négative devrait faire face au ressort à l'intérieur de la commande à distance.

Remettez le couvercle du compartiment en place et recyclez la vieille pile.



## ENTRETIEN DES SURFACES

Nettoyez régulièrement les surfaces de la hotte avec de l'eau savonneuse chaude et un chiffon de coton propre. N'utilisez pas de détergent abrasif ou corrosif, de laines d'acier ou de tampons à récurer; ils égratigneront et endommageront les surfaces.

Pour les taches plus tenaces, utilisez du produit dégraissant liquide.

Après le nettoyage, vous pouvez polir les surfaces avec des produits de polissage à acier inoxydable non abrasifs pour redonner de l'éclat et du lustre aux surfaces. Frottez toujours doucement, avec un chiffon de coton propre, et dans le sens du grain.

N'utilisez pas de produits à blanchir au chlore ou d'agents nettoyants « orange ».

### Filtres à tamis décoratifs

Le filtre à tamis installé par le fabricant a pour fonction de filtrer les résidus et la graisse de cuisson. Il ne nécessite aucun remplacement sur une base régulière, mais doit être gardé propre.

Le filtre devrait être nettoyé chaque 30 heures d'utilisation ou une fois par mois.

Enlevez-le et nettoyez-le à la main ou au lave-vaisselle avec de l'eau tiède. Vaporisez avec du détergent pour graisse et laissez tremper pour éliminer la saleté accumulée.

Séchez le filtre et réinstallez-le avant d'utiliser la hotte.

### Remplacement du filtre à tamis

Si le filtre s'use en raison de son âge ou d'une usage prolongé, remplacez-le avec la pièce portant le numéro suivant :

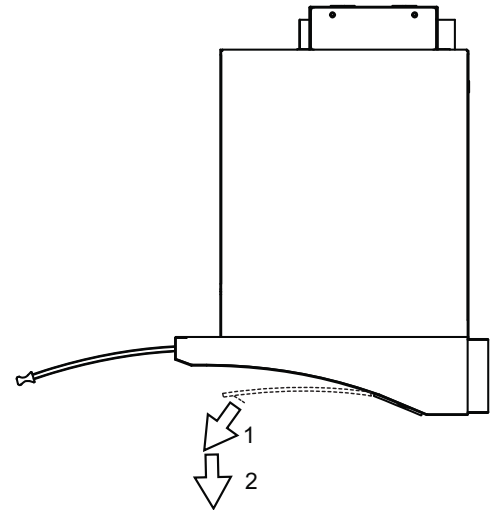
**Modèle de hotte:      No de pièce    Quantité à commander**

Tous les modèles ZGE    50200036            1

Pour enlever le filtre à tamis décoratif

1. Poussez sur les poignées à ressort

2. Tirez sur la poignée du filtre vers le bas pour enlever le filtre



## Remplacement des ampoules

**Attention : Les ampoules deviennent extrêmement chaudes lorsqu'allumées.**

**Veillez NE PAS les toucher avant de les avoir éteintes et laissées refroidir. Le contact avec les ampoules chaudes pourrait causer de sérieuses brûlures.**

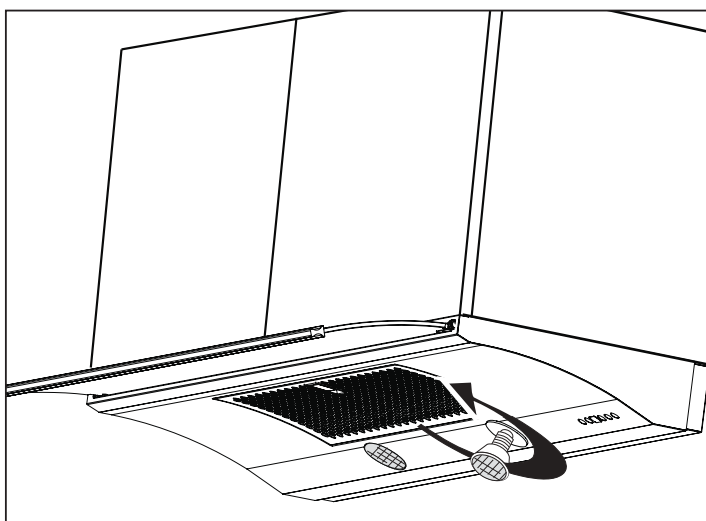
Assurez-vous que l'alimentation électrique est coupée et que les ampoules ne sont pas chaudes.

Enlevez les ampoules en les dévissant dans le sens contraire des aiguilles d'une montre. Note : les ampoules ne se dévissent pas; après une rotation de 60 degrés, elles s'arrêtent et tombent de la douille.

Lorsqu'il est difficile de retirer les ampoules après un usage prolongé, fixez une ventouse équivalant approximativement au diamètre de l'ampoule ou utilisez des gants en latex et tournez.

Les ampoules de remplacement sont disponibles dans les magasins spécialisés en éclairage. Procurez-vous des ampoules halogènes GU-10 50W (MR16).

Consultez la page 22 du présent guide pour obtenir les numéros de pièces Zephyr.



Entretien – Schéma de câblage



182766

Modèle ZGE-E30/36AS290

Tension 120V 60Hz 1.4A

Consommation d'énergie

Total: 167W

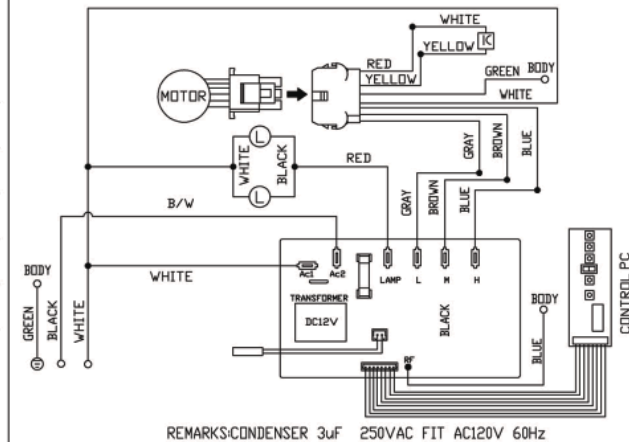
Lampe 50Wx2

Ventilateur: 67W

DATE:

Protégé thermiquement

Schéma de circuits



182766

Modèle ZGE-E30/36AS

Tension 120V 60Hz 3.1A

Consommation d'énergie

Total: 370W

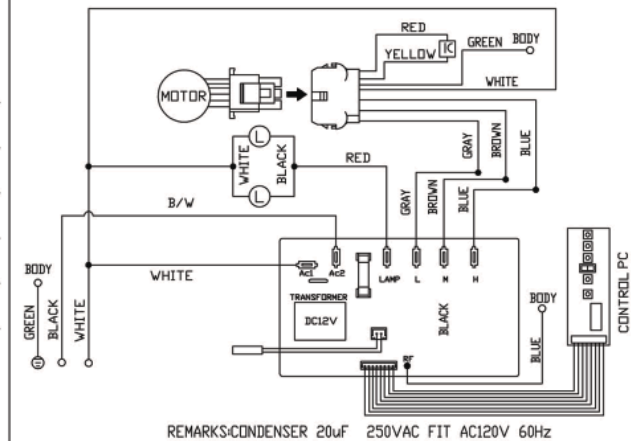
Lampe 50Wx2

Ventilateur: 270W

DATE:

Protégé thermiquement

Schéma de circuits



## PROCÉDURES DE DÉPANNAGE POUR LA HOTTE GENOVA

Problème	Cause	Solution
Après l'installation, l'appareil ne fonctionne pas.	1. Le bloc d'alimentation n'est pas allumé	1. Assurez-vous que l'alimentation du disjoncteur et de l'appareil est allumée
	2. La ligne électrique et le raccord de câble ne sont pas correctement branchés	2. Vérifiez que le branchement de l'appareil a été fait correctement.
	3. Les fils électriques du tableau de contrôle et de commande sont débranchés	3. Assurez-vous que les fils électriques entre les tableaux de contrôle et de commande sont branchés convenablement
	4. Les câbles du tableau de commande ne sont pas assez serrés.	4. Assurez-vous que les câbles du tableau de commande sont branchés convenablement.
	5. Tableau de contrôle/commande défectueux	5. Remplacez le tableau de contrôle/commande
Les lumières fonctionnent, mais le moteur ne tourne pas.	1. Le moteur est défectueux, possiblement bloqué	1. Remplacez le moteur.
	2. Le système de protection thermique détecte que le moteur est trop chaud pour fonctionner et l'éteint.	2. Le moteur fonctionnera normalement lorsque le système de protection thermique aura refroidi
	3. Le condensateur est endommagé.	3. Remplacez le condensateur
	4. Le câble du ventilateur n'est pas branché	4. Assurez-vous que le câble du ventilateur est branché dans le connecteur Molex
L'appareil vibre.	1. Le ventilateur n'est pas bien fixé en place.	1. Serrez solidement les vis du ventilateur en place.
	2. La roue du ventilateur est endommagée.	2. Remplacez le ventilateur.
	3. La hotte n'est pas bien fixée en place.	3. Vérifiez l'installation de la hotte.
Le moteur fonctionne, mais pas les lumières.	1. L'ampoule halogène est défectueuse.	1. Remplacez l'ampoule halogène.
	2. L'ampoule est desserrée.	2. Serrez l'ampoule.
	3. Les câbles du tableau de commande ne sont pas assez serrés.	3. Assurez-vous que les câbles du tableau de commande sont branchés convenablement.
La hotte ne fonctionne pas bien.	1. La hotte est possiblement installée trop haut par rapport à la cuisinière.	1. Ajustez la distance entre la surface de la cuisinière et la base de la hotte entre 24" et 32".
	2. Du vent provenant d'une fenêtre ou d'une porte ouverte avoisinante nuit à la ventilation.	2. Fermez toutes les portes et fenêtres pour éliminer les courants d'air.
	3. L'ouverture du conduit ou le conduit lui-même est bloqué.	3. Enlevez tout ce qui bloque l'ouverture ou le conduit d'aération.
	4. L'ouverture du conduit est contre le vent.	4. Ajustez l'orientation de l'ouverture du conduit.
	5. Mauvaises dimensions de conduit d'aération.	5. Remplacez le conduit par un conduit adéquat.
Le filtre en métal vibre.	1. Le filtre en métal est desserré.	1. Remplacez le filtre en métal.
	2. L'attache à ressort ne fonctionne pas convenablement.	2. Ajustez la poignée jusqu'à ce que l'attache à ressort fonctionne.
La commande à distance radioélectrique ne fonctionne pas	1. La pile est morte	1. Remplacez-la pile à l'aide d'une pile A23 12v.
	2. Mauvaise communication avec la hotte.	2. La commande à distance doit se trouver à moins de 15 pi de la hotte.
	3. La commande à distance a perdu la communication avec la hotte.	3. Réinitialisez la hotte et la commande à distance en coupant le courant du disjoncteur pendant 5 minutes. Placez la commande à distance sur le comptoir près de la hotte et remettez le disjoncteur sous tension.

## Listes des pièces et des accessoires

### DESCRIPTION

### N° DE PIÈCE

#### Pièces de remplacement

Ampoule GU10 50W (chaque)  
Filtre à tamis décoratif

Z0B-0020S  
50200036

#### Accessoires optionnels

Ensemble de reprise d'air  
Filtres à charbon de remplacement (chaque)  
Commande à distance radioélectrique

ZRC-00GE  
Z0F-C0GE  
14000005

Pour commander des pièces, visitez-nous en ligne au [www.zephyronline.com](http://www.zephyronline.com) ou communiquez avec nous par téléphone au 1-888-880-8368



# ZEPHYR

## Garantie limitée

### AGRAFEZ VOTRE REÇU ICI

Une preuve de la date d'achat originale est nécessaire pour obtenir du service lorsque le produit est sous garantie

**POUR OBTENIR DU SERVICE SOUS GARANTIE OU POUR TOUTE QUESTION LIÉE À L'ENTRETIEN, veuillez communiquer avec nous au 1-888-880-8368**

Zephyr Corporation (désigné aux présentes sous le nom de « nous ») garantit au premier acheteur (désigné aux présentes sous le nom de « vous » ou « votre ») de produits Zephyr (les « Produits ») que lesdits produits sont exempts de défauts de fabrication ou de main-d'œuvre selon les conditions suivantes :

**Garantie de trois ans sur les pièces :** Garantie de trois ans à partir de la date d'achat originale du Produit. Nous fournirons sans frais les Produits ou les pièces de remplacement qui comportaient des défauts de fabrication. Nous pourrions choisir, à notre seule discrétion, de réparer ou de remplacer des pièces avant de prendre la décision de remplacer le Produit.

**Garantie limitée d'un an sur la main-d'œuvre :** Garantie d'un an à partir de la date d'achat originale du Produit. Nous couvrirons sans frais les frais de main-d'œuvre afférents à la réparation du Produit ou des pièces de remplacement qui comportaient des défauts de fabrication. Un an après la date d'achat originale, vous serez responsable de tous les frais de main-d'œuvre associés à la présente garantie.

**Exclusions de la garantie :** Cette garantie ne couvre que la réparation ou le remplacement, à notre gré, de pièces ou de Produits défectueux et ne couvre aucun autre coût afférent aux Produits, dont, sans s'y limiter, les frais liés : (a) à l'entretien normal des Produits et au remplacement des pièces consommables, comme les ampoules, les filtres métalliques, les filtres à charbon et les fusibles; (b) à tout Produit ou pièce ayant été endommagé durant le transport ou étant le résultat d'un mauvais usage, d'une négligence, d'un accident, d'une installation incorrecte ou ne respectant pas les notices d'installation recommandées, d'un entretien ou d'une réparation inapproprié (dont ne nous sommes pas responsables); (c) à une utilisation commerciale ou ne correspondant pas à l'utilisation pour laquelle les Produits sont conçus; (d) à l'usure naturelle du fini, à l'usure due à un entretien inadéquat, à l'utilisation de produits nettoyants corrosifs ou abrasifs, de tampons nettoyeurs et de produits de nettoyage pour le four; (e) aux éclats, entailles ou fissures résultant d'un abus ou d'une mauvaise utilisation du Produit; (f) aux déplacements d'un technicien de service à votre domicile pour vous montrer comment utiliser les Produits; (g) aux dommages causés par un accident, un incendie, une inondation ou un cas fortuit. Si vous vous trouvez à l'extérieur du territoire que nous desservons, des frais supplémentaires pourraient s'appliquer pour la livraison des produits à nos points de service désignés pour une réparation sous garantie ou vous pourriez avoir à déboursier les frais de déplacement du technicien à votre domicile pour que le Produit soit réparé, enlevé ou réinstallé. Un an après la date d'achat originale du Produit, vous êtes également responsable de tous les frais de main-d'œuvre associés à la présente garantie.

**Restrictions de la garantie. NOTRE OBLIGATION DE RÉPARER OU DE REMPLACER, À NOTRE GRÉ, LE PRODUIT CONSTITUE VOTRE SEUL ET UNIQUE RECOURS SOUS LA PRÉSENTE GARANTIE. NOUS NE NOUS PORTONS PAS RESPONSABLES POUR TOUT DOMMAGE INDIRECT, ACCESSOIRE OU PARTICULIER RÉSULTANT OU AYANT UN LIEN AVEC L'UTILISATION OU LE RENDEMENT DES PRODUITS. LES GARANTIES EXPRESSES DE LA SECTION PRÉCÉDENTE SONT EXCLUSIVES ET TIENNENT LIEU DE TOUTE AUTRE GARANTIE EXPRESSE. PAR LES PRÉSENTES, NOUS REJETONS ET EXCLUONS TOUTE AUTRE GARANTIE EXPRESSE POUR LES PRODUITS ET TOUTES LES GARANTIES TACITES PRÉVUES PAR LA LOI, DONT CELLES RELATIVES À LA QUALITÉ MARCHANDE OU À L'ADÉQUATION DU PRODUIT POUR UNE UTILISATION PARTICULIÈRE.** Certains États ou provinces n'autorisent pas les restrictions sur la durée d'une garantie implicite ou l'exclusion ou la restriction des dommages indirects ou accessoires; par conséquent, les exclusions et restrictions mentionnées ci-dessus pourraient ne pas s'appliquer à votre cas. Dans la mesure où une loi applicable interdit l'exclusion de garanties implicites, la durée de toute garantie implicite applicable se limite à la période de deux ans décrite ci-dessus. L'unique objectif de toute description orale ou écrite est de présenter les Produits et celle-ci ne devrait pas être interprétée comme une garantie expresse. Avant d'utiliser ou de permettre l'utilisation des Produits, vous devrez déterminer si les Produits conviennent aux utilisations prévues et vous devrez assumer tout risque et toute responsabilité relatifs à ces utilisations. Nous nous réservons le droit d'utiliser des pièces reconstruites ou remises à neuf pour remplacer l'une des fonctionnalités dans le cadre de la présente garantie ou de l'une des parties de la présente garantie. L'acheteur original ne peut transférer la présente garantie et celle-ci n'est valide qu'aux États-Unis et au Canada.

**Pour obtenir du service sous la garantie :** Pour avoir droit à du service sous garantie, vous devez : (a) nous avertir en utilisant l'adresse ou le numéro de téléphone inscrit ci-dessous dans les soixante jours suivant la détection du défaut; (b) donner le numéro du modèle, le numéro d'identification de la pièce ainsi que le numéro de série; et (c) décrire la nature de tout défaut de la pièce ou du Produit. Au moment de faire la demande de service sous garantie, vous devrez présenter votre preuve d'achat et la preuve de la date d'achat originale. Si nous déterminons que les exclusions de la garantie énumérées ci-dessus s'appliquent ou si vous vous trouvez dans l'incapacité de nous fournir la documentation nécessaire pour obtenir du service, vous serez responsable de tous les frais d'expédition, de déplacement, de main-d'œuvre ou de tout autre coût afférent au service.

Veuillez consulter notre site Web au [www.zephyronline.com](http://www.zephyronline.com) pour savoir si des révisions ont été apportées à la garantie.

**Zephyr Corporation Service Department, 2277 Harbor Bay Parkway, Alameda, CA 94502 1-888-880-8368**