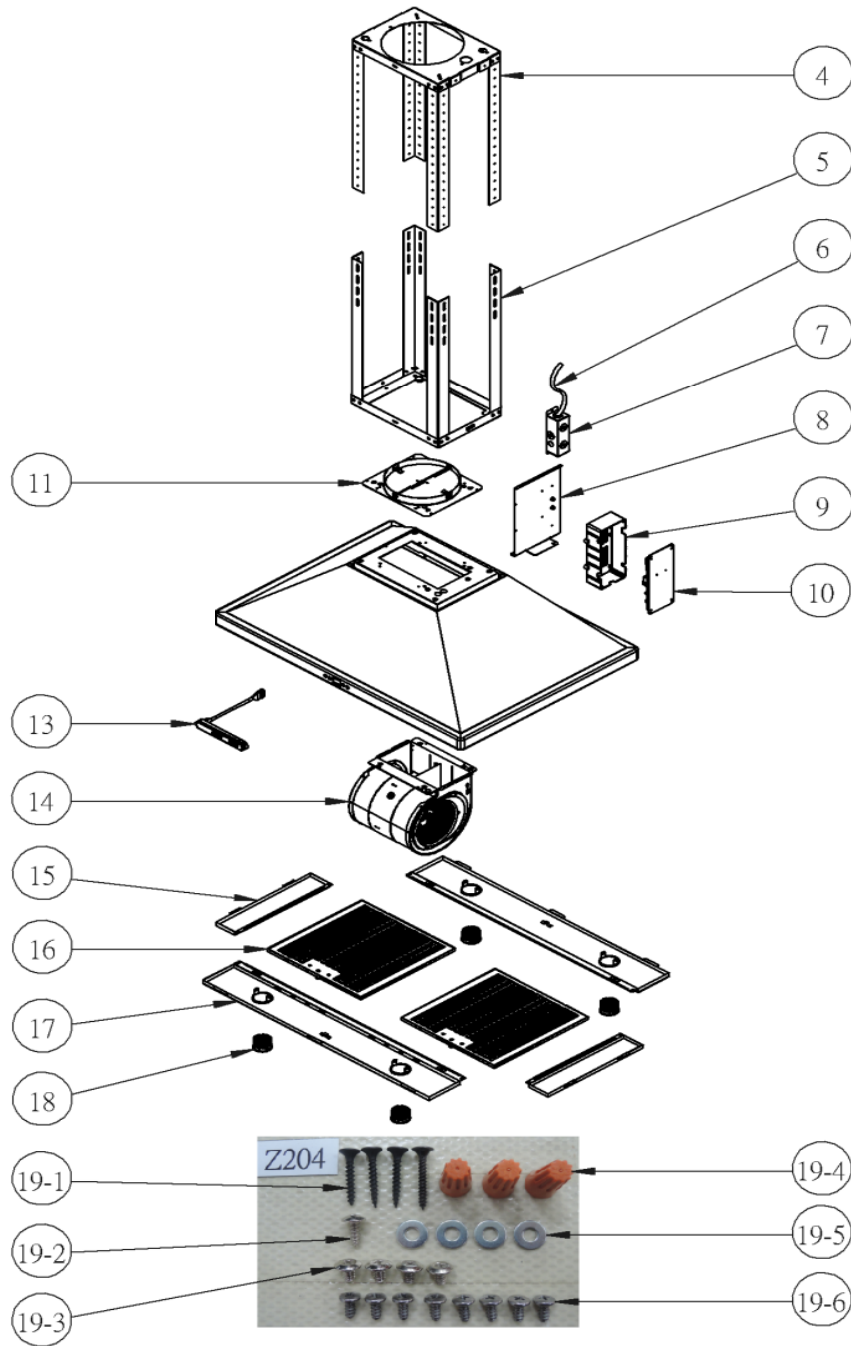
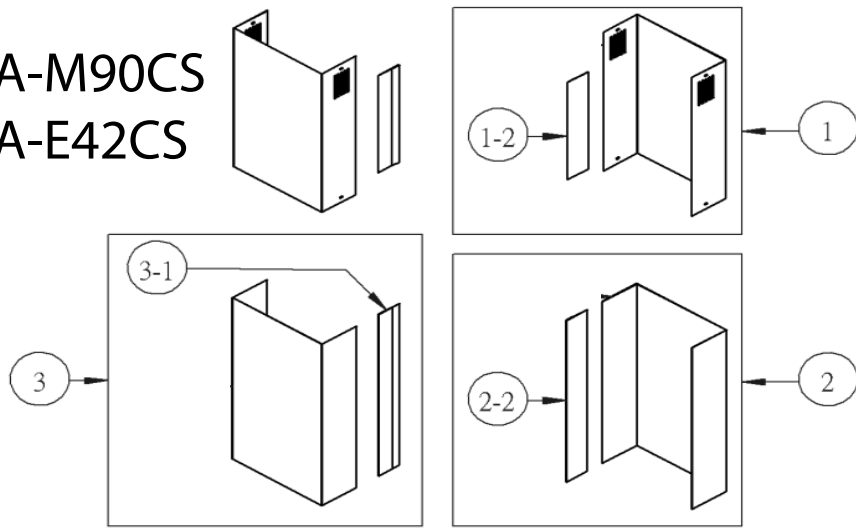


ZNA-M90CS
ZNA-E42CS



ZNA-M90CS, ZNA-E42CS

Ref #	Part #	Description	Qty.
1	50050157	Duct Cover, Upper	2
1-2	54220003	Magnet, Upper Duct Cover	2
2	50050158	Duct Cover, Lower	1
2-2	54220004	Magnet, Lower Duct Cover	1
3	50050159	Duct Cover, Lower w/Logo	1
3-1	54220004	Magnet, Lower Duct Cover	1
4	54110096	Support Frame, Upper	1
5	54110097	Support Frame, Lower	1
6	11030070	Wires, Electrical	1
7	56200080	Box, Electrical	1
8	54140095	Plate, Component	1
9	54200019	Box, Component	1
10	11010043	Control Board	1
11	54050080	Collar, 8" Round	1
13	11000067	Switch Assembly	1
14	12120064	Motor	1
15	50120084	Panel, Side (ZNA-M90CS)	2
15	50120085	Panel, Side (ZNA-E42CS)	2
16	50210023	Filter, Baffle	2
17	50110153	Panel, Light (ZNA-M90CS)	2
17	50110154	Panel, Light (ZNA-E42CS)	2
18	Z0B-0032	Bloom LED Bulb, 3W	4
19	05000110	Hardware Packet	1
19-1	01090001	Screw, M6 x 1"	4
19-2	01070021	Screw, M4 x 12mm	1
19-3	01020011	Screw, 3/16 x 1/4	4
19-4	15000002	Wire Nut	3
19-5	02170001	Washer	4
19-6	01070010	Screw, M4 x 8mm	8
21	81010004	Template, Ceiling	1