

Its sophisticated features and performance set the industry value standard. Its three-speed, 250-cfm blowers quietly clear the air while convenient dishwasher-safe aluminum filters efficiently remove airborne residues. Sleek,

integrated controls simplify cleanup, and the dual-level halogen light bulbs let you set a low-key mood when the time is right. Now available with Bloom™ GU10 LED upgrade option.



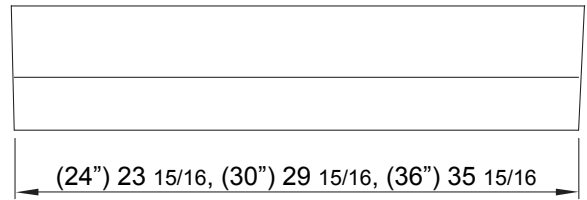
Stainless Steel



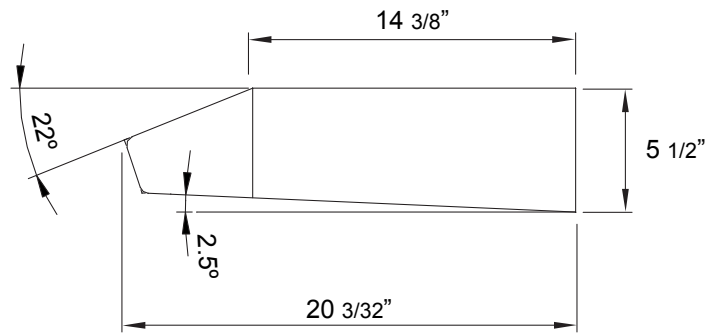
Black



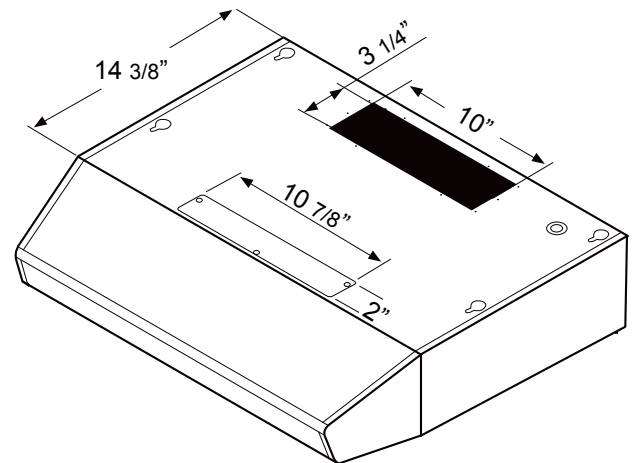
White



Front



Side



Top

MODEL	AK1124W AK1124S	AK1100B AK1100W AK1100S	AK1136B AK1136W AK1136S
Size	24" (23-15/16")	30" (29-15/16")	36" (35-15/16")
Blower CFM (Min. - Max.)	150 - 250	150 - 250	150 - 250
Sones (Min. - Max.)	1.8 - 3.5	1.8 - 3.5	1.8 - 3.5
FEATURES			
Controls	Mechanical Slide	Mechanical Slide	Mechanical Slide
Speed Levels	3	3	3
Auto Delay-Off	No	No	No
Lighting	Halogen, 35W x2	Halogen, 35W x2	Halogen, 35W x2
Dual-Level Lighting	Yes	Yes	Yes
Filters	Aluminum Mesh x2	Aluminum Mesh x2	Aluminum Mesh x2
Recirculating Option	Yes	Yes	Yes
DUCT SPECIFICATIONS			
Vertical Internal Blower	3-1/4" x 10"	3-1/4" x 10"	3-1/4" x 10"
Horizontal Internal Blower	3-1/4" x 10"	3-1/4" x 10"	3-1/4" x 10"
AC POWER	120V, 60Hz at Max. 1.3A	120V, 60Hz at Max. 1.3A	120V, 60Hz at Max. 1.3A
OPTIONAL ACCESSORIES			
Recirculating Kit	OAK11-21001	OAK11-21001	OAK11-21001
Bloom™ GU10 LED	ZOB0040	ZOB0040	ZOB0040
MOUNTING HEIGHT RANGE*	24" - 32"	24" - 32"	24" - 32"
WARRANTY	3 years parts, 1 year labor	3 years parts, 1 year labor	3 years parts, 1 year labor

*Mounting height refers to distance between top of a 36" tall cooking surface and bottom of hood.