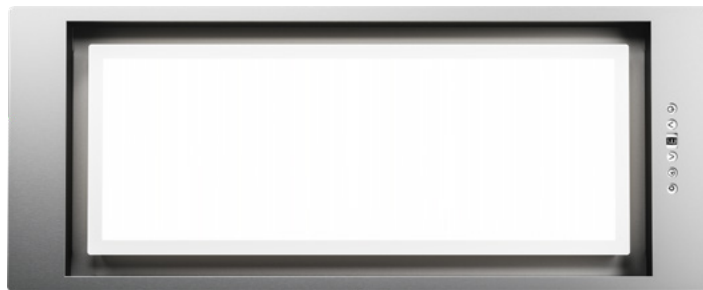


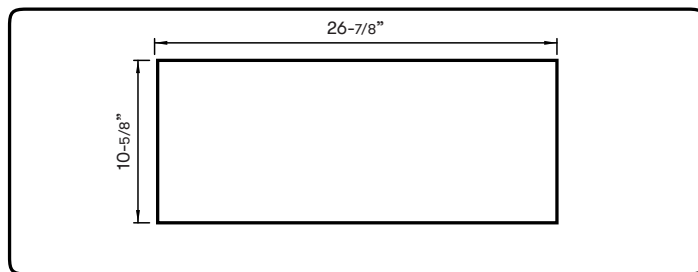
ACT™

Min. - Max. CFM	INTERNAL BLOWER STANDARD	INTERNAL BLOWER with ACT™ AIRFLOW CONTROL TECHNOLOGY™*	
		200 - 600	200 - 390
Min. - Max. Sones	1.4 - 6		

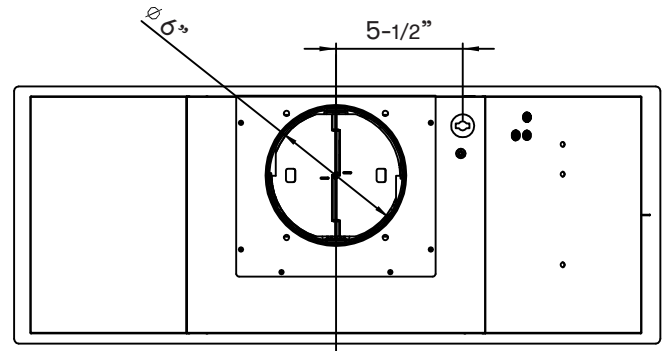
*AIRFLOW CONTROL TECHNOLOGY™ (ACT™) is an exclusive feature built into specific Zephyr hoods which can limit the maximum blower CFM to meet local code requirements.



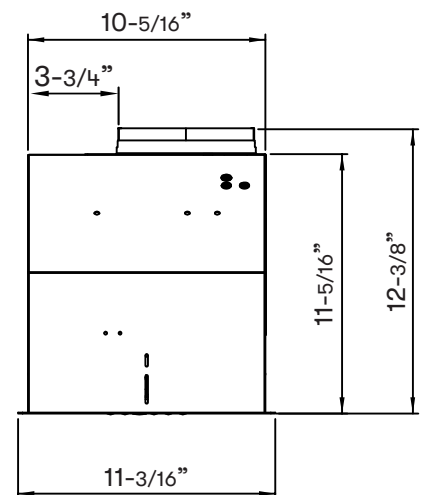
Shown with 30" adjustable depth liner, AK0800AS



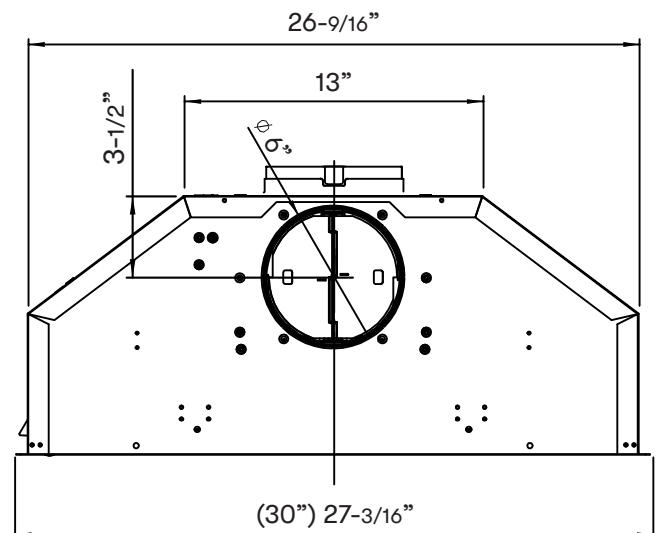
Cabinet Bottom Cut-Out Size (W x D): 26-7/8" x 10-5/8"



TOP



SIDE



BACK

MODEL

Stainless Steel	AK8500AS
Size	28" (27-3/16")

BLOWER PERFORMANCE

Blower CFM (Min. - Max.)	200 - 600
Sones (Min. - Max.)	1.4 - 6
ACT 390 CFM (Min. - Max.)	200 - 390
ACT 290 CFM (Min. - Max.)	200 - 290

FEATURES

ACT™ Technology	390, 290
Controls	Electronic Touch
Speed Levels	6*
Auto Delay-Off	Yes
CleanAir Function	Yes
Lighting	Glo LED PAS Panel
Dual-Level Lighting	Yes
Filters	Aluminum Mesh x1
Perimeter Aspiration System	Yes
Recirculating Option	Yes
ADA Compliant	Yes, with remote option

DUCT SPECIFICATIONS

Vertical Internal Blower	6" Round
Horizontal Internal Blower	6" Round
AC POWER	120V, 60Hz at Max. 3A

OPTIONAL ACCESSORIES

30" Liner (17-1/2" - 20-1/2" Depth)	AK0800AS
36" Liner (17-1/2" - 20-1/2" Depth)	AK0836AS
Recirculating Kit	ZRC-0085
Remote Control	14000005
Make-Up Air Kit	MUA006A

MOUNTING HEIGHT RANGE**

Electric Cooking Surface	20" - 36"
Gas Cooking Surface	24" - 36"

WARRANTY

3 years parts, 1 year labor

*When ACT™ is enabled the maximum speed levels will change. ACT 390 = 3 speeds and ACT 290 = 2 speeds.

**Mounting height refers to distance between top of a 36" tall cooking surface and bottom of hood.

DID YOU KNOW?

The Perimeter Aspiration System moves airflow away from the central area of the hood and evenly distributes it through narrow openings around the perimeter of the hood. This ventilation method increases air velocity and improves the capture of cooking contaminants.

ACT™

Airflow Control Technology™ (ACT™)

is an exclusive feature built into specific Zephyr hoods which can limit the maximum blower CFM to meet local code requirements.

Specifications subject to change, check zephyronline.com for up-to-date information.
Zephyr Ventilation | 2277 Harbor Bay Parkway, Alameda, CA 94502 | 888.880.VENT

MAY21.0101

