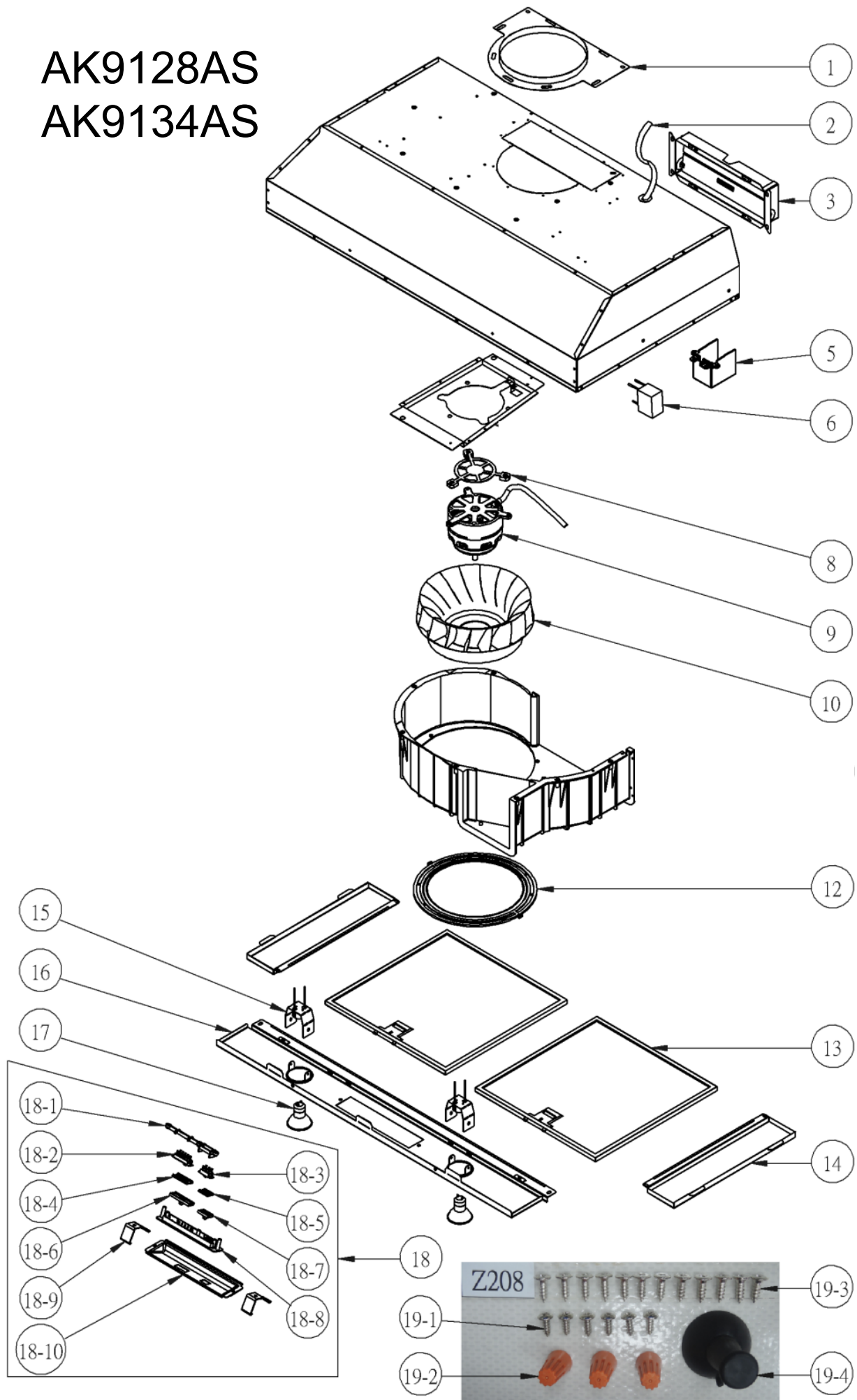


AK9128AS AK9134AS



AK9128AS, AK9134AS

Ref #	Part #	Description	Qty.
1	54050065	Collar, 7" Round	1
2	11030015	Wires, Electrical	1
3	54060011	Collar w/Damper, 3 1/4"x10" Rectangular	1
5	54200011	Electrical Junction Box	1
6	12050024	Capacitor	1
8	54140060	Rubber Motor Spacer	1
9	12120078	Motor	1
10	54250022	Blower Wheel	1
12	56210040	Cover, Blower Wheel	1
13	50200059	Filter, Metal Mesh	2
14	50120087	Panel, Side (AK9134AS)	2
15	50500145	Light Socket Assembly	2
16	50110157	Light Panel (AK9128AS)	1
16	50110158	Light Panel (AK9134AS)	1
17	Z0B0023	Bulb, Halogen, GU-10, 35W	2
18	11000057	Switch Assembly	1
18-1	56240018	Spacer, Switch	1
18-2	11040009	Switch, Motor	1
18-3	11040010	Switch, Light	1
18-4	56220033	Gasket, Motor Switch	1
18-5	56220034	Gasket, Light Switch	1
18-6	56210057	Cover, Motor Switch	1
18-7	56210058	Cover, Light Switch	1
18-8	54140059	Bracket, Switch	1
18-9	54150013	Clip, Switch	2
18-10	56210059	Cover, Switch Housing	1
19	05000112	Hardware Packet	1
19-1	01070009	Screw, M4x6mm	6
19-2	15000002	Wire Nut	3
19-3	01020025	Screw, #8x1/2"	12
19-4	15000004	Suction Cup	1