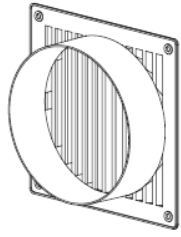


THIS KIT INCLUDES:



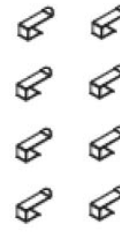
(1) return air vent



(4) return air vent screws



(2) charcoal filter



(8) C clips



(1) 7" to 6" adapter

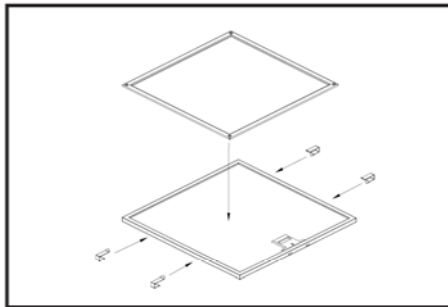


FIG. 1

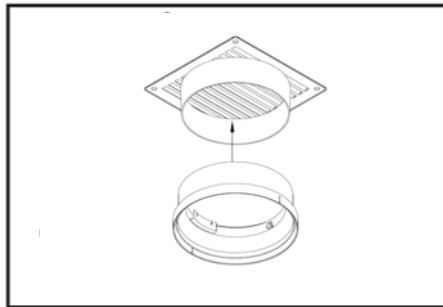


FIG. 2

1. Remove mesh filter from hood and place charcoal on the top of mesh filter. Secure charcoal filter by 4 C clips from recirculation kit, 2 C clips for each elongated side of charcoal filter, FIG.1.
2. Reinstall mesh filter.
3. Charcoal filter must be replaced after every 120 hours of use or approximately every 3 to 4 months based on an average daily use of 1 hour of cooking time.
4. Install 7" to 6" adapter to the return air vent and use tape to secure. FIG.2.

To install the return air vent to top of the cabinet:

(for installations where cabinet does not extend to ceiling)

1. Cut a 6 1/2" round opening in top or the cabinet where the ducting will connect to the return air vent and 7" to 6" adapter. FIG.3.
2. Connect 7" round ducting from blower collar to return air vent collar. Return air vent collar will go around the ducting. Secure with duct tape.
3. Secure return air vent to top of cabinet with (4) screws.

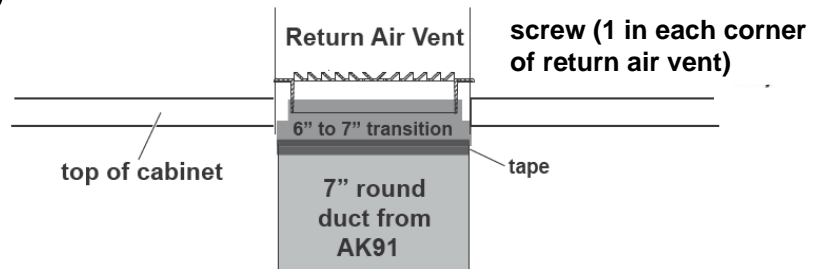


FIG. 3

To install the return air vent to a soffit or ceiling:

(for installations where top of cabinet is flush with the ceiling)

1. Cut a 6 1/2" round opening in soffit ceiling where the ducting will connect to the return air vent and 7" to 6" adapter. FIG.4.
2. Connect 7" round ducting from blower collar to return air vent collar. Return air vent collar will go around the ducting. Secure with duct tape.
3. Secure return air vent to soffit or ceiling with (4) screws.

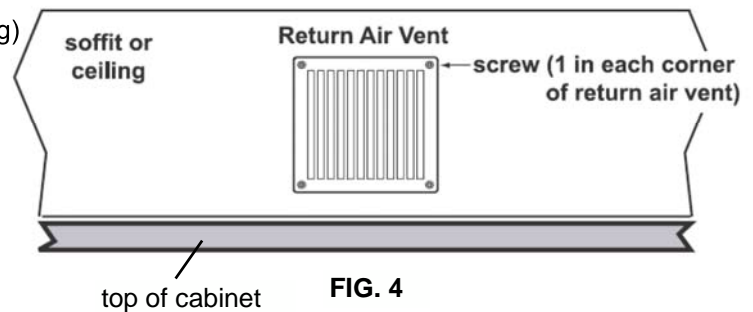


FIG. 4

note: Return air vent deflectors should face the sides to properly vent the air. FIG.5

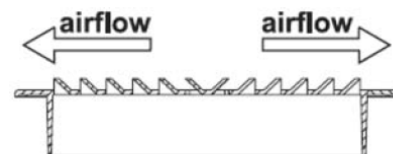


FIG. 5