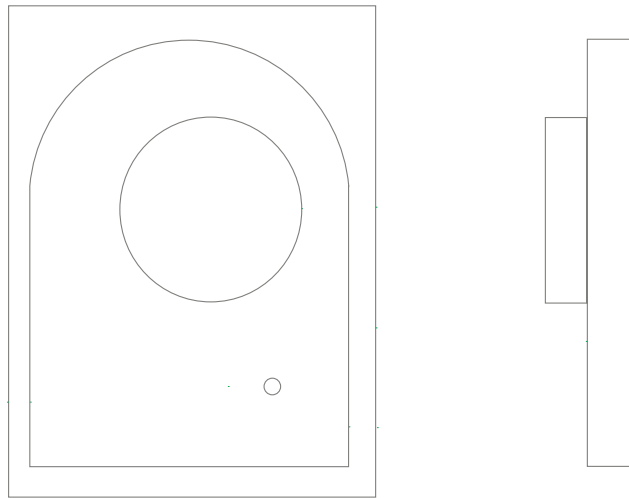


Use, Care, and Installation Guide

External Blower

CBE-1000



Model number: CBE-1000
Serial number: _____
Date of Purchase: _____
Sales Dealer: _____

READ AND SAVE THESE INSTRUCTIONS

WARNING

TO REDUCE THE RISK OF FIRE OR ELECTRIC SHOCK, DO NOT USE THIS FAN WITH ANY SOLID-STATE SPEED CONTROL DEVICE.

WARNING

TO REDUCE THE RISK OF FIRE, ELECTRIC SHOCK, OR INJURY TO PERSONS, OBSERVE THE FOLLOWING:

- a. Use this unit only in the manner intended by the manufacturer. If you have questions, contact the manufacturer.
- b. Before servicing or cleaning unit, switch power off at service panel and lock the service disconnecting means to prevent power from being switched on accidentally.
When the service disconnecting means cannot be locked, securely fasten a prominent warning device, such as tag, to the service panel.

CAUTION

For General Ventilating Use Only. Do not Use to Exhaust Hazardous or Explosive Materials and Vapors.

WARNING

TO REDUCE THE RISK OF A RANGE TOP GREASE FIRE:

- a. Never leave surface units unattended at high settings. Boilovers cause smoking and greasy spillovers that may ignite. Heat oils slowly on low or medium settings.
- b. Always turn hood ON when cooking at high heat or when cooking flambeing food (i.e. Crepes Suzette, Cherries Jubilee, Peppercorn Beef Flambe)
- c. Clean ventilating fans frequently Grease should not be allowed to accumulate on fan or filter.
- d. Use proper pan size. Always use cookware appropriate for the size of the surface element.

WARNING

TO REDUCE THE RISK OF INJURY TO PERSONS IN THE EVENT OF A RANGE TOP GREASE FIRE, OBSERVE THE FOLLOWING:

- a. SMOTHER FLAMES with a close-fitting lid, cookie sheet, or metal tray, then turn off the burner. BE CAREFUL TO PREVENT BURNS.
If the flames do not go out immediately, EVACUATE AND CALL THE FIRE DEPARTMENT.
- b. NEVER PICK UP A FLAMING PAN - You may be burned.
- c. DO NOT USE WATER, including wet dishcloths or towels - a violent steam explosion will result.
- d. Use an extinguisher ONLY if:
 1. You know you have a class ABC extinguisher, and you already know how to operate it.
 2. The fire is small and contained in the area where it started.
 3. The fire department is being called.
 4. You can fight the fire with your back to an exit.
 5. Based on "Kitchen Fire Safety Tips" published by NFPA.

WARNING

TO REDUCE THE RISK OF FIRE, ELECTRIC SHOCK OR INJURY TO PERSONS, OBSERVE THE FOLLOWING:

- a. Installation Work and Electrical Wiring Must be Done by Qualified Person (s) In Accordance with all Applicable Codes and Standards, Including Fire-Rated Construction.
- b. Sufficient air is needed for proper combustion and exhausting of gases through the flue (chimney) of fuel burning equipment to prevent back drafting. Follow the heating equipment manufacturer's guideline and safety standards such as those published by the National Fire Protection Association (NFPA), and the American Society for Heating, Refrigeration, and Air Conditioning Engineers (ASHRAE) and the local code authorities
- c. When cutting or drilling into wall or ceiling, do not damage electrical wiring and other hidden utilities.
- d. Ducted fans must always vent to the outdoors.

WARNING

TO REDUCE THE RISK OF FIRE, USE ONLY METAL DUCTWORK.

CAUTION

To reduce risk of fire and to properly exhaust air, be sure to duct air outside - Do not vent exhaust air into spaces within walls or ceilings or into attics, crawl spaces or garages.

CBE-1000 external blower is to be used only with compatible Zephyr hoods. Please refer to hood manual for external blower compatibility.

NOTE:

The following instructions explain the mounting procedures for the CBE-1000 external blower. Please refer to your hood manual for instructions on preparing the hood for use with external blower.

Fig-5

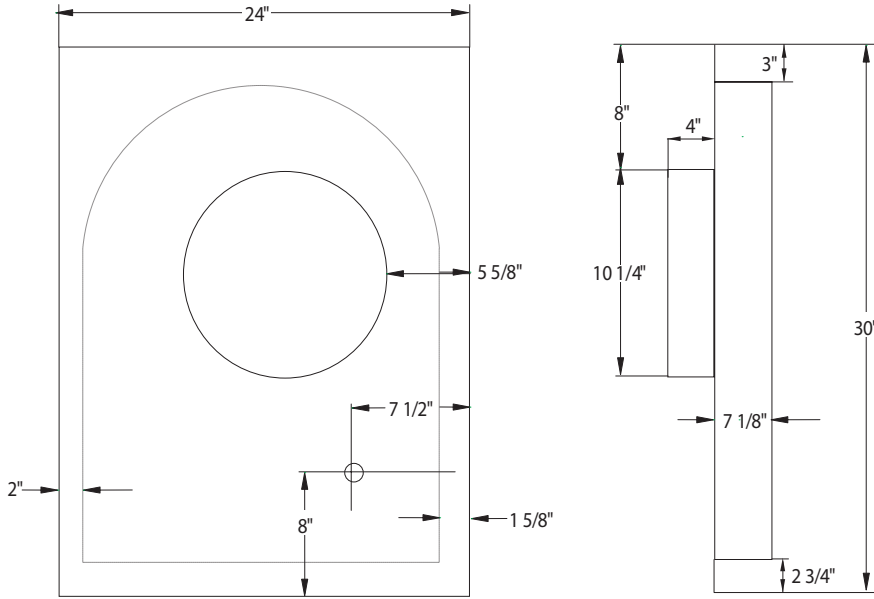
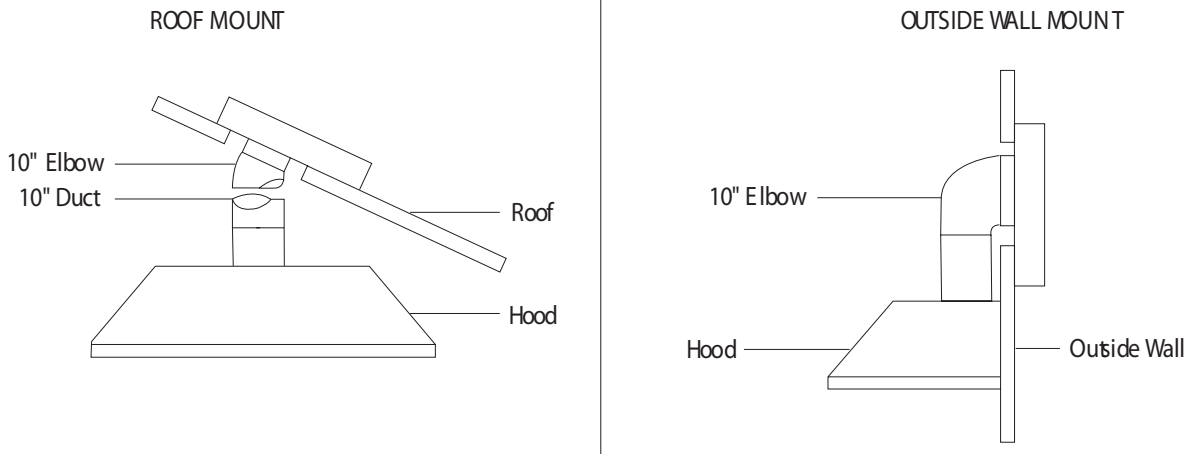


Fig-1

TYPICAL INSTALLATION

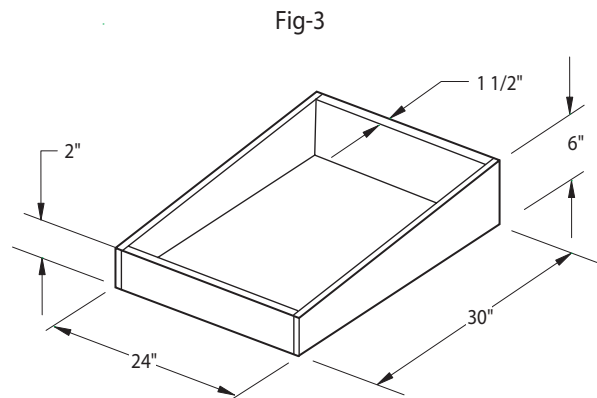
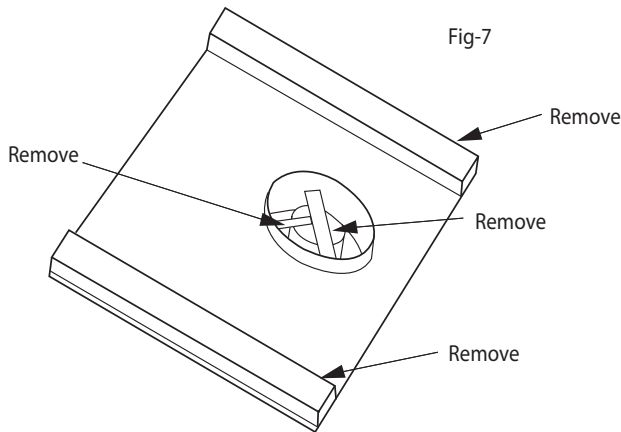
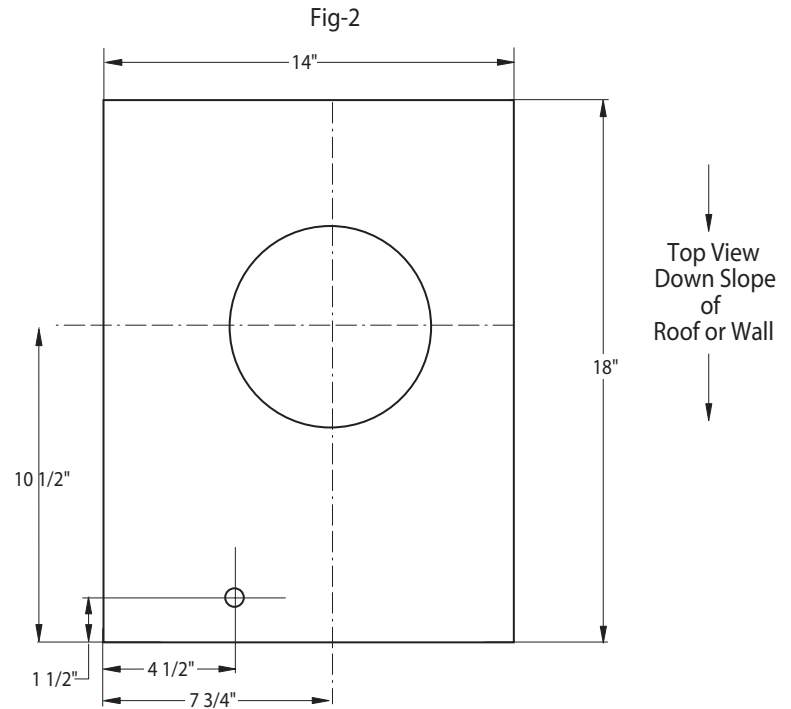


Recommended for use only over conventional domestic gas and electric ranges.

Installation - External Blower

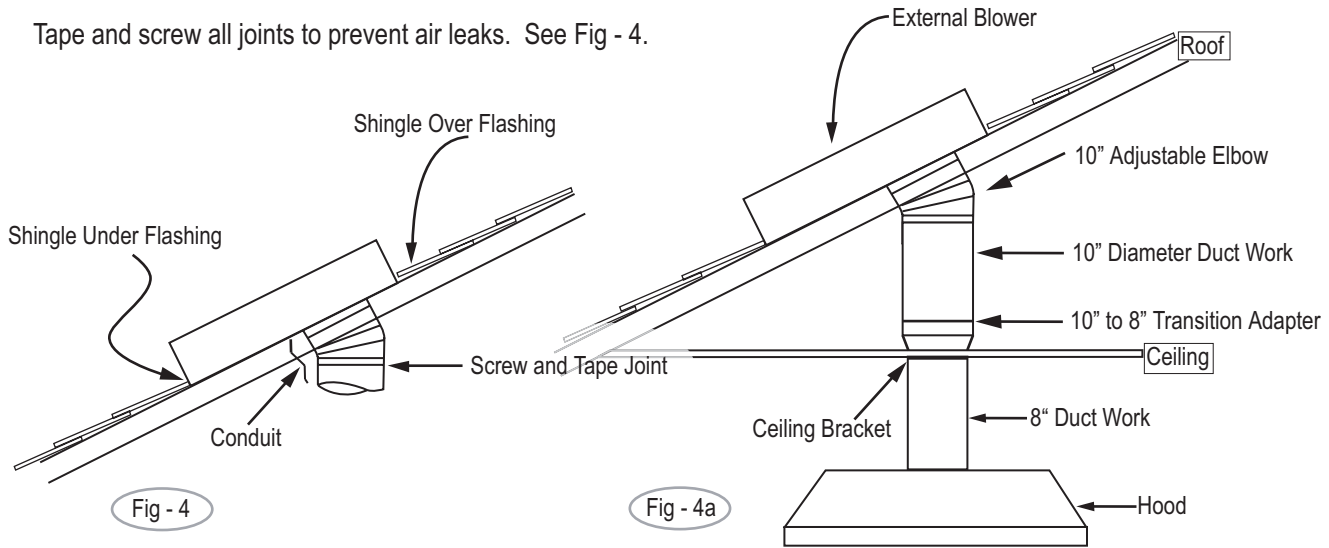
1. Remove and discard shipping brackets and wood support (attached to sides of motor and inlet collar). Fig. - 7
BEFORE INSTALLING, check to see if blower wheel turns freely and does not rub on motor brackets. Check damper door to be sure it moves freely and spring returns door to closed position.
2. Provide 14" x 18" hole through the roof or wall as shown in Fig. - 2. For reference, location of 10" duct connection and wiring connection is shown.
3. Install blower on roof or wall, with discharge (screened end) pointing down, according to standard roofing procedures.
NOTE: Front discharge edge should be on top of shingles and rear and side edges under shingles. Unit must be sealed between roof or wall and under side of flange with roofing mastic to prevent leaks.

For installation on a flat roof, or roofs with pitch of less than 1 1/2' in 12", install blower on curb as shown in Fig. - 3. Position curb on sloping roof with 2" dimension facing down slope. Position curb on flat roofs so that discharge points away from prevailing wind.



4. Connect the blower to exhaust system with a 10" diameter metal duct only. Use 10" adjustable elbow to adjust to roof angle. **IMPORTANT: You must run 10" round duct work from the external blower to the ceiling. Before the duct work passes through the ceiling bracket, use a 10" to 8" transition adapter and run 8" duct work to the opening on the hood. The 8" duct work run should not exceed 60" in length. (see Fig 4a)**

Tape and screw all joints to prevent air leaks. See Fig - 4.



5. Remove top cover of blower to access wiring connections. Retain mounting screws.
6. Run electrical conduit per local code to conduit outlet in bottom plate of blower (use liquid tight connection). Other end of conduit will connect to external blower wiring box in your hood. See installation instructions earlier in manual for wiring location.
7. Run (5) wires in conduit (1 black, 1 white, 1 blue, 1 red and 1 green ground) between the blower and hood. **Check for local code compliance for style and gauge of wires.** The ground wire shall have a suitable gauge according to the Electrical Code and Local Regulations. See Fig. -6 for wiring details. These wires will connect to the external blower wiring box on top of the hood.

CAUTION: Before wiring the unit, switch power off at service panel and lock the service disconnecting means to prevent power from being switched on accidentally.

8. Replace cover onto blower from step 5 and secure with screws provided. All screws must be in place on cover.

Fig - 6

CBE-1000: WIRING DIAGRAM



CBE-1000: 1/2 HP 3 - Speed Motor. 115V AC, 60Hz /15 Amp Circuit Required