

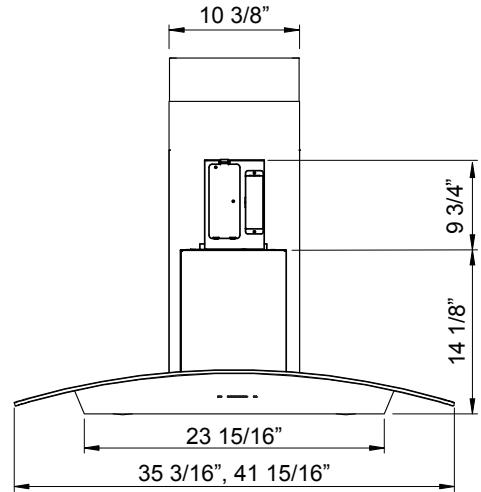
The delicate curve of a smoke-gray glass canopy arching over your island cooktop will add an elegance to your everyday cooking experience. The Ravenna features our sleek black stainless steel finish with an an-

ti-smudge Titanium coating for extra durability and easy cleaning. Complete with our exclusive Airflow Control Technology™ (ACT™), ICON Touch® Controls, BriteStrip™ LED lighting and a powerful, yet quiet, 600 CFM blower.

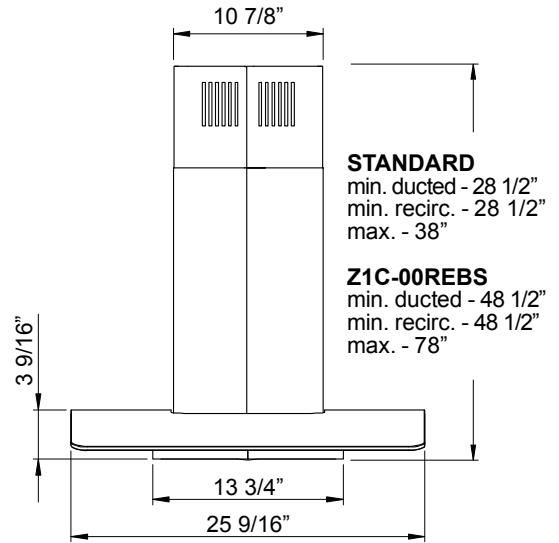
ACT™

| Min. - Max. CFM | INTERNAL BLOWER STANDARD | INTERNAL BLOWER with ACT™ AIRFLOW CONTROL TECHNOLOGY™* | |
|-------------------|--------------------------|--|-----------|
| | 200 - 600 | 200 - 390 | 200 - 290 |
| Min. - Max. Sones | 1 - 6 | 1 - 4 | 1 - 3 |

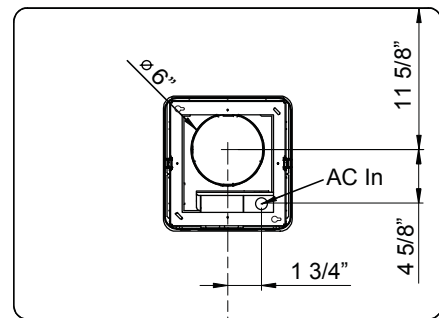
*AIRFLOW CONTROL TECHNOLOGY™ (ACT™) is an exclusive feature built into specific Zephyr hoods which can limit the maximum blower CFM to meet local code requirements.



FRONT



SIDE



C/L

TOP

MODELBlack Stainless Steel
w/ Smoke-Gray Glass

ZRE-M90ABSGG

ZRE-E42ABSGG

| | | |
|------------------------------------|-----------|-----------|
| Size | 36" | 42" |
| Blower CFM (Min. - Max.) | 200 - 600 | 200 - 600 |
| Sones (Min. - Max.) | 1 - 6 | 1 - 6 |
| ACT 390 CFM (Min. - Max.) | 200 - 390 | 200 - 390 |
| ACT 390 Sones (Min. - Max.) | 1 - 4 | 1 - 4 |
| 290 CFM (Min. - Max.) | 200 - 290 | 200 - 290 |
| ACT 290 Sones (Min. - Max.) | 1 - 3 | 1 - 3 |

FEATURES

| | | |
|------------------------------------|------------------------|------------------------|
| ACT™ Technology | Yes | Yes |
| Controls | ICON Touch® | ICON Touch® |
| Speed Levels | 5* | 5* |
| Auto Delay-Off | Yes | Yes |
| Lighting | BriteStrip™ LED, x2 | BriteStrip™ LED, x2 |
| Dual-Level Lighting | Yes | Yes |
| Filters | Aluminum Mesh x2 | Aluminum Mesh x2 |
| Recirculating Option | Yes | Yes |
| Quick-Lock Installation | Yes | Yes |
| Magnetic Duct Covers | Yes | Yes |
| Duct Cover Extension Option | Yes, Up to 12' Ceiling | Yes, Up to 12' Ceiling |

DUCT SPECIFICATIONS

| | | |
|-----------------------------------|-----------------------|-----------------------|
| Vertical Internal Blower | 6" Round | 6" Round |
| Horizontal Internal Blower | NA | NA |
| AC POWER | 120V, 60Hz at Max. 4A | 120V, 60Hz at Max. 4A |

OPTIONAL ACCESSORIES

| | | |
|-----------------------------|------------|------------|
| Recirculating Kit | ZRC-00RE | ZRC-00RE |
| Duct Cover Extension | Z1C-00REBS | Z1C-00REBS |
| Make-Up Air Kit | MUA006A | MUA006A |

| | | |
|--------------------------------|-----------|-----------|
| MOUNTING HEIGHT RANGE** | 26" - 34" | 26" - 34" |
|--------------------------------|-----------|-----------|

| | | |
|-----------------|-----------------------------|-----------------------------|
| WARRANTY | 3 years parts, 1 year labor | 3 years parts, 1 year labor |
|-----------------|-----------------------------|-----------------------------|

| CEILING HEIGHT | | 8' | 8.5' | 9' | 9.5' | 10' | 10.5' | 11' | 12' |
|----------------------|--------------------------|-------------|-----------|-----------|-------------|-----------|-----------|-----------|-----------|
| STANDARD DUCT COVER | Ducted Mounting Height** | 26" - 31.5" | 27" - 34" | 33" - 34" | NA | NA | NA | NA | NA |
| | Recirc Mounting Height** | 26" - 31.5" | 27" - 34" | 33" - 34" | NA | NA | NA | NA | NA |
| DUCT COVER EXTENSION | Ducted Mounting Height** | NA | NA | NA | 26" - 29.5" | 26" - 34" | 26" - 34" | 26" - 34" | 30" - 34" |
| | Recirc Mounting Height** | NA | NA | NA | 26" - 29.5" | 26" - 34" | 26" - 34" | 26" - 34" | 30" - 34" |

*When ACT™ is enabled the maximum speed levels will change. ACT 390 CFM = 4 speeds and ACT 290 CFM = 3 speeds.

**Mounting height refers to distance between top of a 36" tall cooking surface and bottom of hood.

ACT™ AIRFLOW CONTROL TECHNOLOGY™ (ACT™)
is an exclusive feature built into specific Zephyr hoods which can limit the maximum blower CFM to meet local code requirements.

Specifications subject to change, check zephyronline.com for up-to-date information.
Zephyr Ventilation | 2277 Harbor Bay Parkway, Alameda, CA 94502 | 888.880.VENT

MAR18.0201

