

Use, Care and Installation Guide

Tempest I , II Stainless Steel Duct Cover

AK0720 - 30"

AK0726 - 36"

AK0722 - 42"

AK0728 - 48"

AK0724 - 54"

| | | |
|---|-------|----------|
| LIST OF MATERIALS | _____ | 2 |
| SPECIFICATIONS | _____ | 3 |
| INSTALLATION | _____ | 4 |
| CLEANING AND CONTACT INFORMATION | _____ | 5 |

Table of Contents

-
- 1 - Center Panel
 - 2 - Side Panels
 - 12 - Philips Head Metal Screws

Note: If any parts are missing, please call
1-888-880-8368 for replacements.

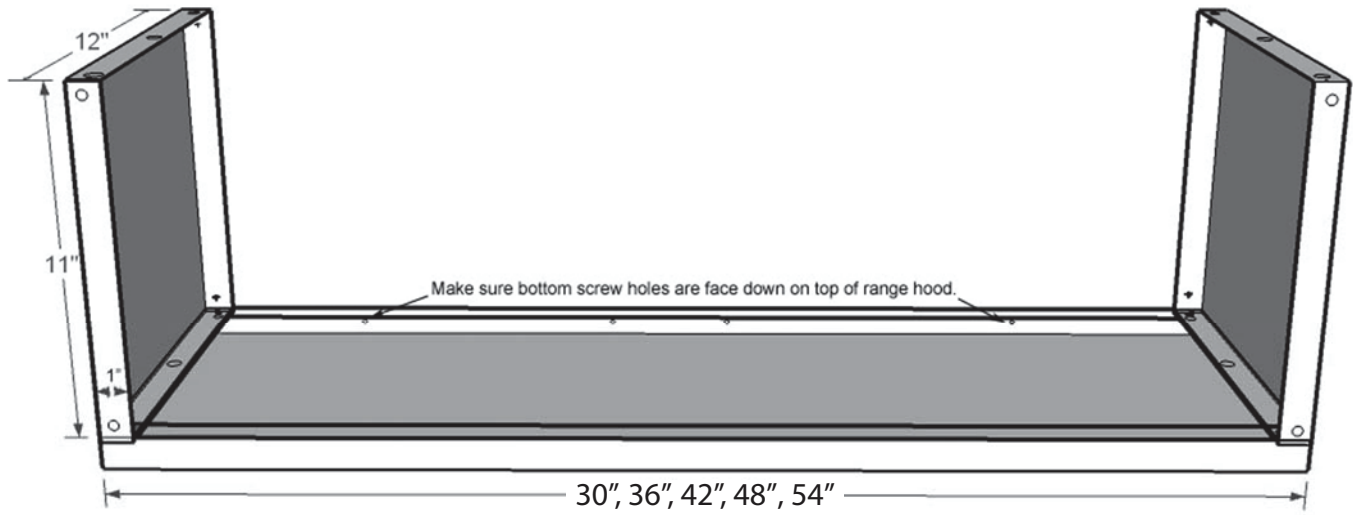
For use with Tempest I

AK7000
AK7036
AK7042

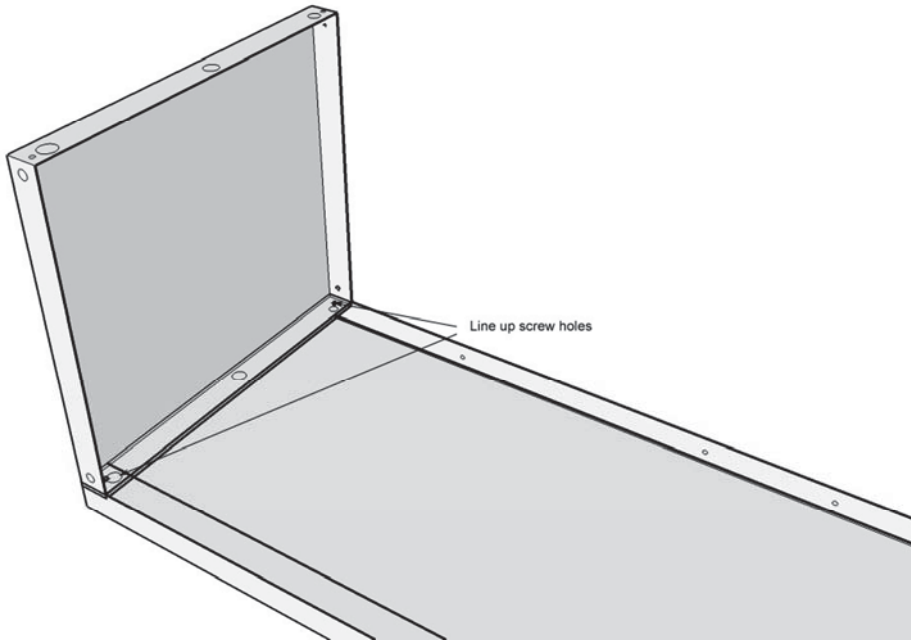
For use with Tempest II

AK7500
AK7536
AK7542
AK7548
AK7554

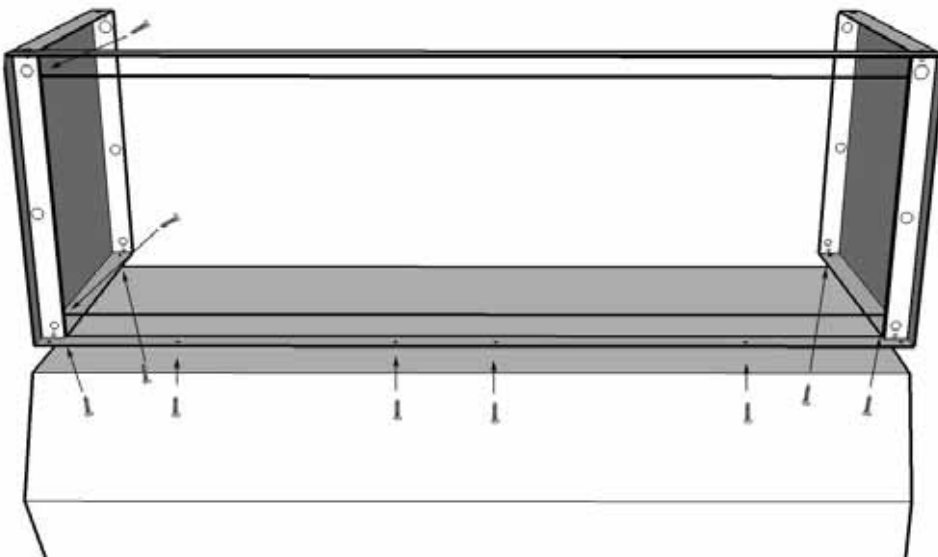
Specifications



1. Line up screw holes and attach the left and right side panels to the center panel with screws provided.



2. Place assembled duct cover on top of hood. Make sure the screw holes of the center panel are facing down and line up with the holes on top of hood.
3. Attach the duct cover to the top of hood by securing the rest of the screws to it from within the inside of the hood.



Cleaning of the duct cover should be done frequently to preserve the life of the stainless steel. Cleaning should typically be done once a month depending on your cooking habits.

When cleaning, use a non abrasive cleaner, do not use “orange” cleaner. Abrasive cleaners may scratch the surface and discolor the stainless steel.

You may also polish the stainless steel by using stainless steel polish. Make sure when polishing to go along with the grain of the duct cover.

Zephyr Ventilation
2277 Harbor Bay Parkway
Alameda, CA 94502
888-880-8368