

Use, Care, and Installation Guide

Pisa

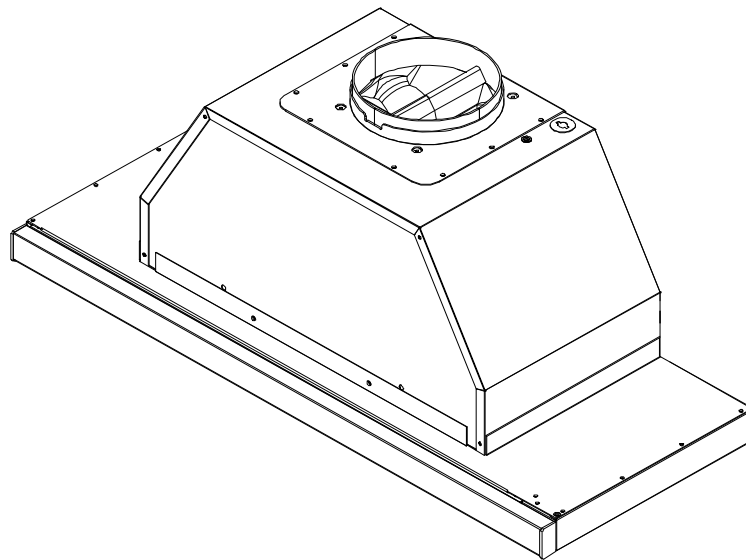
ZPI-E24AG
ZPI-E24AG290

ZPI-E24AW
ZPI-E24AW290

ZPI-E30AG
ZPI-E30AG290

ZPI-E30AW
ZPI-E30AW290

ZPI-E36AG
ZPI-E36AG290



Model number: _____

Serial Number: _____

NOV17.0701 © Zephyr Ventilation LLC.



SAFETY NOTICE	2-3
LIST OF MATERIALS	4
INSTALLATION	
Ducting Calculation Sheet.....	5
Mounting Height & Clearance.....	6
Ducting Options.....	7
Hood Specifications.....	8
Preparing the Cabinet.....	9
Horizontal Ducting Conversion.....	10
Installing the Hood.....	11 - 13
Recirculation Kit.....	14
FEATURES & CONTROLS	
Slide Controls.....	15
MAINTENANCE	
Hood and Filter Cleaning.....	16
Lights.....	17
WIRING DIAGRAMS	18
TROUBLESHOOTING	19
LIST OF PARTS AND ACCESSORIES	20
WARRANTY	21
PRODUCT REGISTRATION	22

Important Safety Notice

WARNING

TO REDUCE THE RISK OF FIRE OR ELECTRIC SHOCK, DO NOT USE THIS FAN WITH ANY SOLID-STATE CONTROL DEVICE.

WARNING

TO REDUCE THE RISK OF FIRE ELECTRIC SHOCK, OR INJURY TO PERSONS, OBSERVE THE FOLLOWING:

- a. Use this unit only in the manner intended by the manufacturer, if you have questions, contact the manufacturer.
- b. Before servicing or cleaning unit, switch power off at service panel and lock panel to prevent power from being switched on accidentally. When the service disconnecting means cannot be locked, securely fasten a prominent warning device, such as a tag, to the service panel.

CAUTION

For general ventilating use only. Do not use to exhaust hazardous or explosive materials and vapors. Take care when using cleaning agents or detergents. Suitable for use in household cooking area.

WARNING

TO REDUCE THE RISK OF RANGE TOP GREASE FIRE:

- a. Never leave surface units unattended at high settings. Boilovers cause smoking and greasy spillovers that may ignite. Heat oils slowly on low or medium settings.
- b. Always turn hood ON when cooking at high heat or when flaming food
- c. Clean ventilating fans frequently. Grease should not be allowed to accumulate on fan or filter.
- d. Use proper pan size. Always use cookware appropriate for the size of the surface element.
- e. Keep fan, filters and grease laden surfaces clean.
- f. Use high setting on hood only when necessary.
- g. Don't leave hood unattended when cooking.
- h. Always use cookware and utensils appropriate for the type of and amount of food being prepared.

WARNING

TO REDUCE THE RISK OF INJURY TO PERSONS IN THE EVENT OF A RANGE TOP FIRE, OBSERVE THE FOLLOWING:

- a. SMOTHER FLAMES with a close-fitting lid, cookie sheet, or metal tray, then turn off the burner. BE CAREFUL TO PREVENT BURNS. If the flames do not go out immediately, EVACUATE AND CALL THE FIRE DEPARTMENT.
- b. NEVER PICK UP A FLAMING PAN – You may be burned.
- c. DO NOT USE WATER, including wet dishcloths or towels – a violent steam explosion will result.
- d. Use an extinguisher ONLY if:
 - 1. You know you have a Class ABC extinguisher, and you already know how to operate it.
 - 2. The fire is small and contained in the area where it started.
 - 3. The fire department is being called.
 - 4. You can fight the fire with your back to an exit

WARNING

TO REDUCE THE RISK OF FIRE, ELECTRIC SHOCK OR INJURY TO PERSONS, OBSERVE THE FOLLOWING:

- a. Installation work and electrical wiring must be done by qualified person(s) in accordance with all applicable codes and standards. Including fire-rated construction.
- b. Sufficient air is needed for power combustion and exhausting of gases through the flue (chimney) of fuel burning equipment to prevent back-drafting. Follow the heating equipment manufacturer's guideline and safety standards such as those published by the National Fire Protection Association (NFPA) and the American Society for Heating, Refrigeration and Air Conditioning Engineers (ASHRAE) and the local code authorities.
- c. When cutting or drilling into wall or ceiling, do not damage electrical wiring and other hidden utilities.
- d. Ducted fans must always vent to the outdoors.
- e. NEVER place a switch where it can be reached from a tub or shower.
- f. Make sure the power is off before installing, wiring or maintenancing.

WARNING

TO REDUCE THE RISK OF FIRE, USE ONLY METAL DUCTWORK.

CAUTION

To reduce risk of fire and to properly exhaust air outside - Do not vent exhaust air into spaces within walls, ceilings, attics, crawl spaces or garages. Hood not intended for installation over an outdoor grill.

OPERATION

Always leave safety grilles and filters in place. Without these components, operating blowers could catch onto hair, fingers and loose clothing.

The manufacturer declines all responsibility in the event of failure to observe the instructions given here for installation, maintenance and suitable use of the product. The manufacturer further declines all responsibility for injury due to negligence and the warranty of the unit automatically expires due to improper maintenance.

***NOTE: Please check www.zephyronline.com for revisions before doing any custom work.**

ELECTRICAL REQUIREMENTS

Important:

Observe all governing codes and ordinances.

It is the customer's responsibility:

- To contact a qualified electrical installer.
- To assure that the electrical installation is adequate and in conformance with National Electrical Code, ANSI/NFPA 70 latest edition* or CSA standards C22.1-94, Canadian Electrical Code, Part 1 and C22.2 No.0-M91 - latest edition** and all local codes and ordinances.

If codes permit and a separate ground wire is used, it is recommended that a qualified electrician determine that the ground path is adequate.

Do not ground to a gas pipe.

Check with a qualified electrician if you are not sure the range hood is properly grounded.

Do not have a fuse in the neutral or ground circuit.

*National Fire Protection Association Batterymarch Park, Quincy, Massachusetts 02269

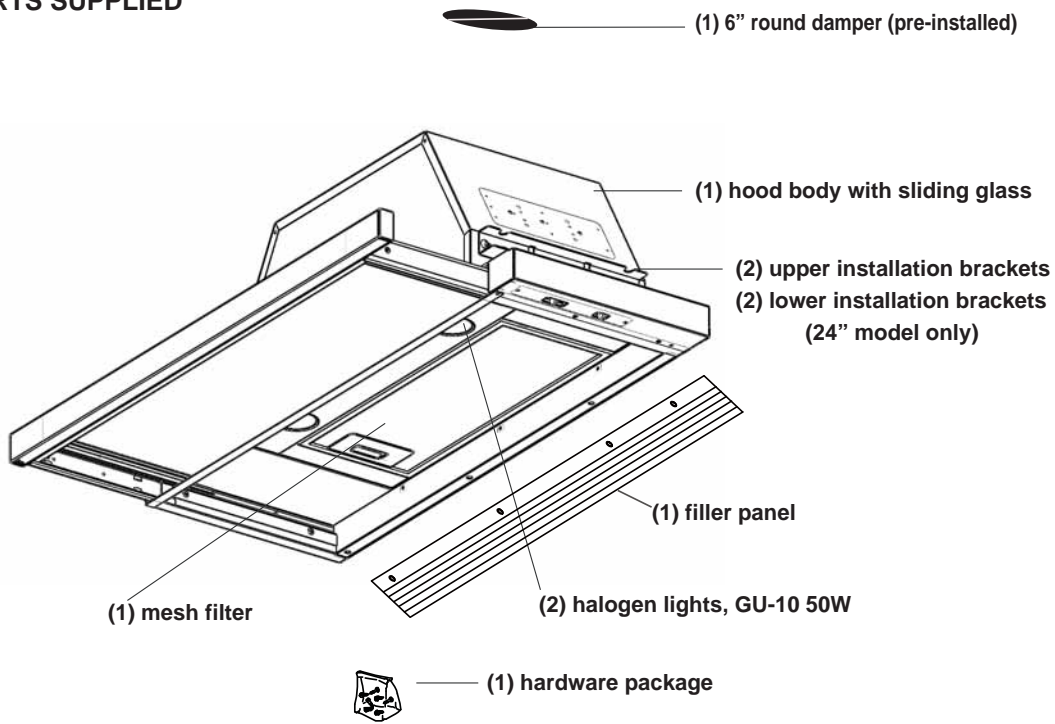
** CSA International 8501 East Pleasant Valley Road, Cleveland, Ohio 44131-5575

This appliance requires a 120V 60Hz electrical supply and connected to an individual properly grounded branch circuit protected by a 15 or 20 ampere circuit breaker or time delay fuse. Wiring must be 2 wire with ground. Please also refer to Electrical Diagram on product.

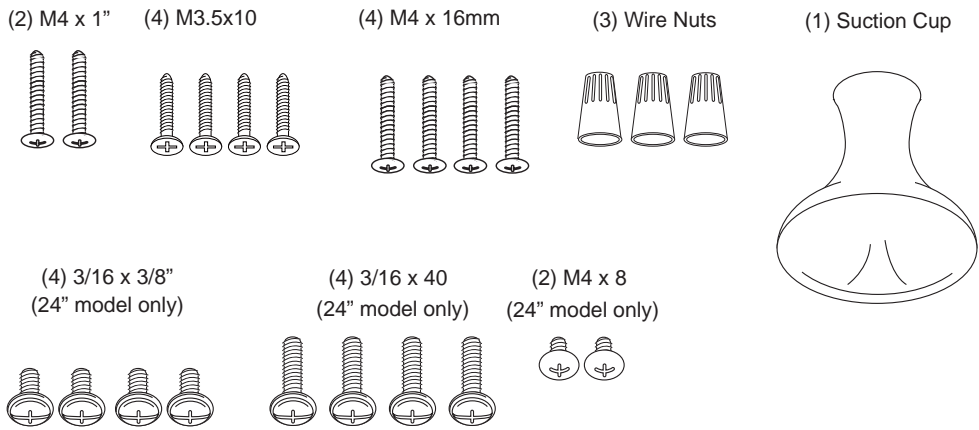
A cable locking connector (not supplied) might also be required by local codes. Check with local requirements, purchase and install appropriate connector if necessary.

List of Materials

PARTS SUPPLIED



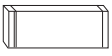
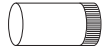
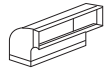
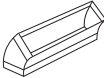

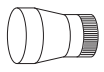
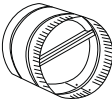
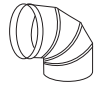

HARDWARE PACKAGE CONTENTS



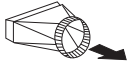
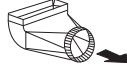
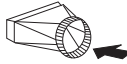
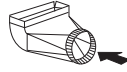
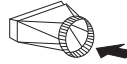
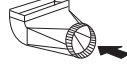
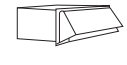
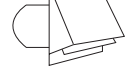

PARTS NOT SUPPLIED

- Ducting, conduit and all installation tools
- Cable connector (if required by local codes)
- Recirculation Kit

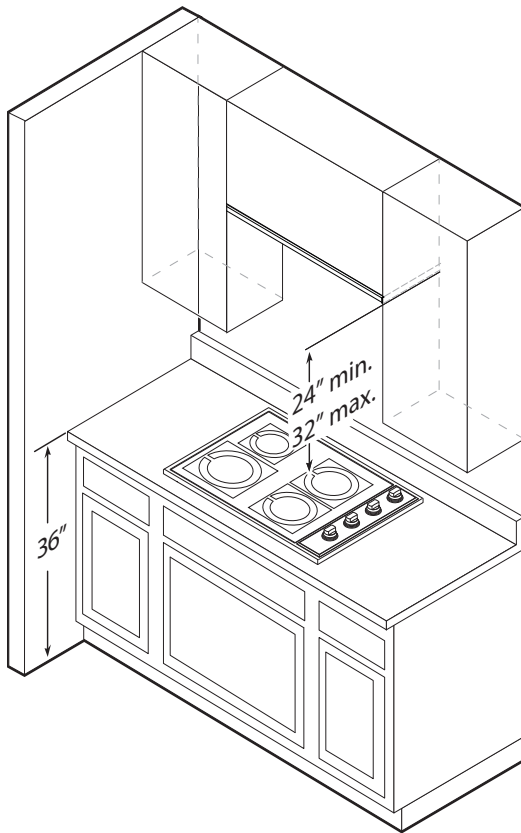
Installation – Ducting Calculation Sheet

Duct pieces	Equivalent number length x used =	Total
 3-1/4" x 10" Rect., straight	1 Ft. x () =	Ft.
 6", 7", 8", 10" Round, straight	1 Ft. x () =	Ft.
 3-1/4" x 10" Rect. 90° elbow	15 Ft. x () =	Ft.
 3-1/4" x 10" Rect. 45° elbow	9 Ft. x () =	Ft.
 3-1/4" x 10" Rect. 90° flat elbow	24 Ft. x () =	Ft.
 7" to 6" or 8" to 7" Round tapered reducer	25 Ft. x () =	Ft.
 6", 7", 8" Round in-line damper	15 Ft. x () =	Ft.
 6", 7", 8", 10" Round, 90° elbow	15 Ft. x () =	Ft.
 6", 7", 8", 10" Round, 45° elbow	9 Ft. x () =	Ft.
Subtotal column 1 =		Ft.

Maximum Duct Length: For satisfactory air movement, the total duct length should not exceed 100 equivalent feet.

Duct pieces	Equivalent number length x used =	Total
 3-1/4" x 10" Rect. to 6" round transition	5 Ft. x () =	Ft.
 3-1/4" x 10" Rect. to 6" round transition 90° elbow	20 Ft. x () =	Ft.
 6" round to 3-1/4" x 10" rect. transition	1 Ft. x () =	Ft.
 6" round to 3-1/4" x 10" rect. transition 90° elbow	16 Ft. x () =	Ft.
 7" round to 3 1/4" x 10" rect. transition	8 Ft. x () =	Ft.
 7" round to 3-1/4" x 10" rect. transition 90° elbow	23 Ft. x () =	Ft.
 3-1/4" x 10" Rect. wall cap with damper	30 Ft. x () =	Ft.
 6", 7", 8", 10" Round, wall cap with damper	30 Ft. x () =	Ft.
 6", 7", 8", 10" Round roof cap	30 Ft. x () =	Ft.
Subtotal column 2 =		Ft.
Subtotal column 1 =		Ft.
Total ductwork =		Ft.

Installation – Mounting Height & Clearance



Mounting height from top of cooking surface to bottom of hood should be no less than 24" and no more than 32".

It is important to install the hood at the proper mounting height. Hoods mounted too low could result in heat damage and fire hazard while hoods mounted too high will be hard to reach and will lose performance and efficiency.

If available, also refer to range manufacturer's height clearance requirements and recommended hood mounting height above range. Always check your local codes for any differences.

DAMAGE-SHIPMENT / INSTALLATION:

- Please fully inspect unit for damage before installation.
- If the unit is damaged in shipment, return the unit to the store in which it was bought for repair or replacement.
- If the unit is damaged by the customer, repair or replacement is the responsibility of the customer.
- If the unit is damaged by the installer (if other than the customer), repair or replacement must be made by arrangement between customer and installer.

DUCTING

A minimum of 6" round ducting must be used to maintain maximum air flow efficiency.

Always use rigid type metal ducts only. Flexible ducts could restrict air flow by up to 50%.

Use calculation worksheet to compute total duct work.

ALWAYS, when possible, reduce the number of transitions and turns. If a long duct run is required, increase duct size from 6" to 7" or 8".

If turns or transitions are required: Install as far away from opening and as far apart, between 2, as possible.

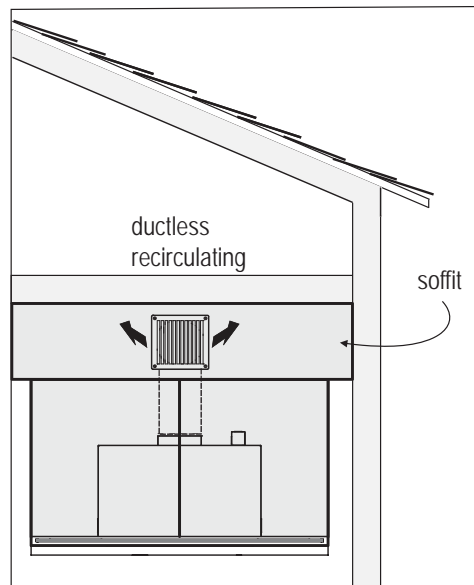
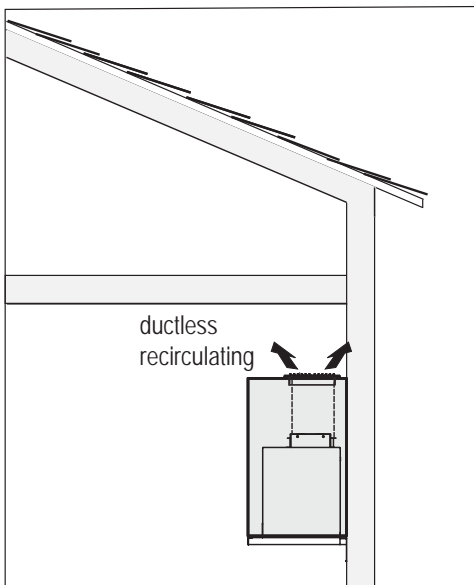
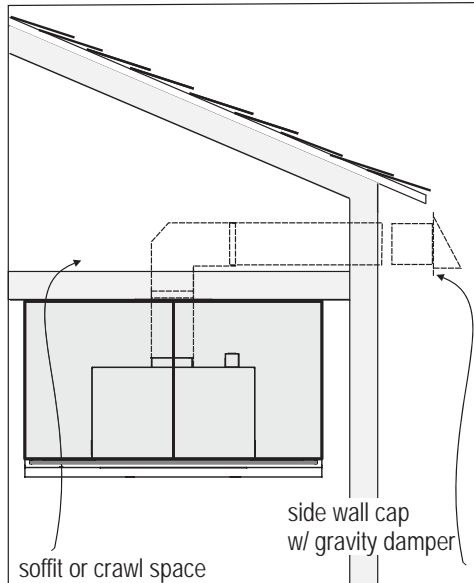
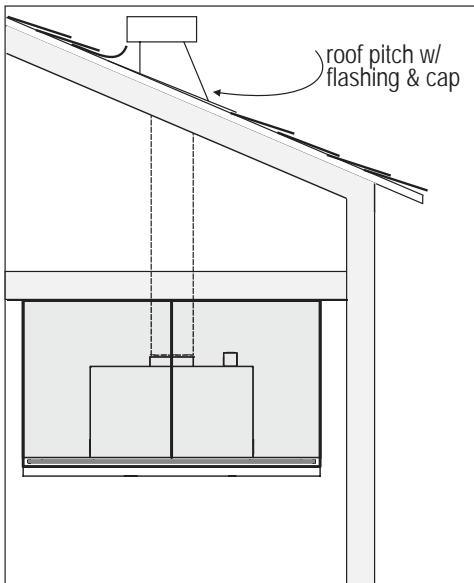
WARNING FIRE HAZARD

NEVER exhaust air or terminate duct work into spaces between walls, crawl spaces, ceiling, attics or garages. All exhaust must be ducted to the outside.

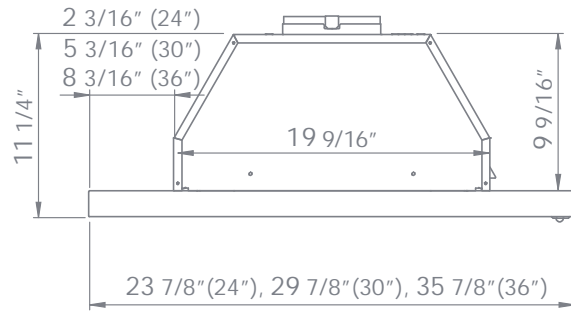
Use single wall rigid Metal ductwork only.

Fasten all connections with sheet metal screws and tape all joints w/ certified Silver Tape or Duct Tape.

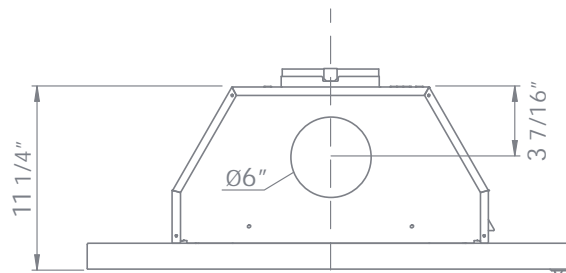
Ducting Options Example



Installation – Hood Specifications

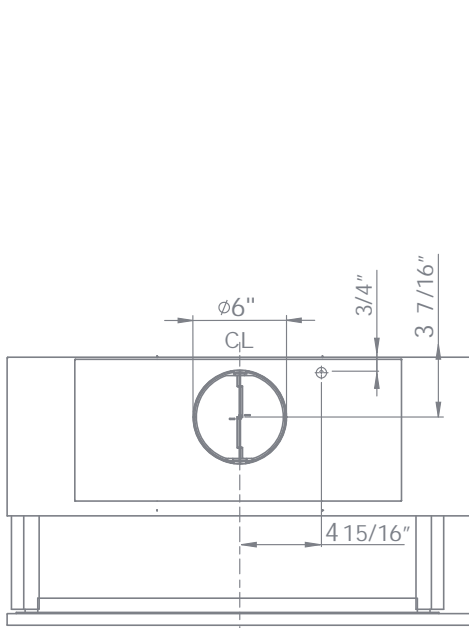


FRONT

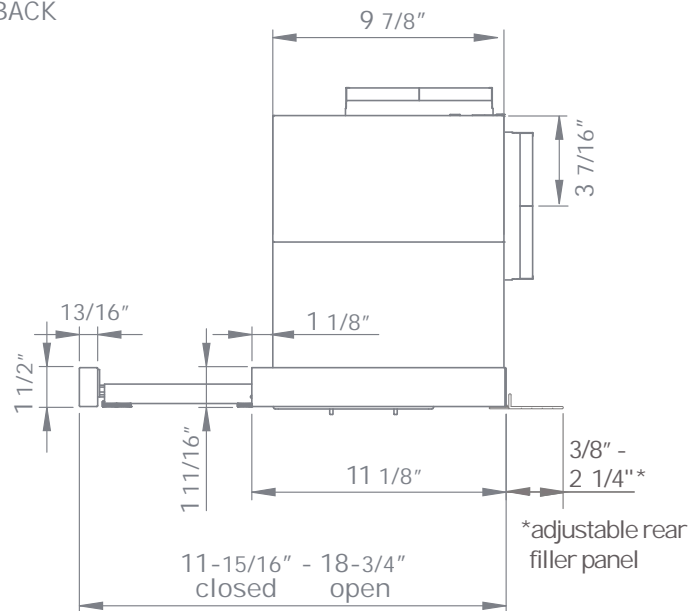


C/L

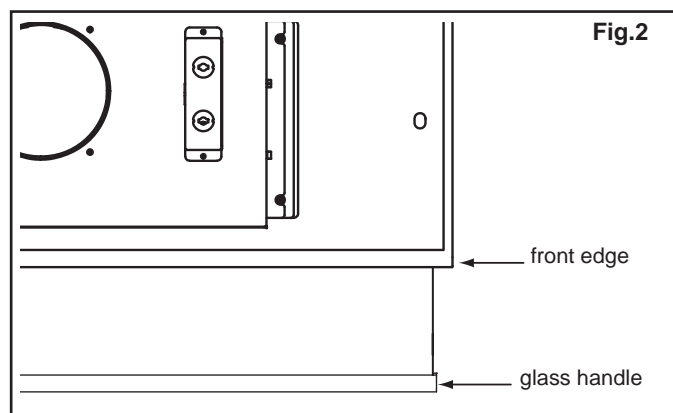
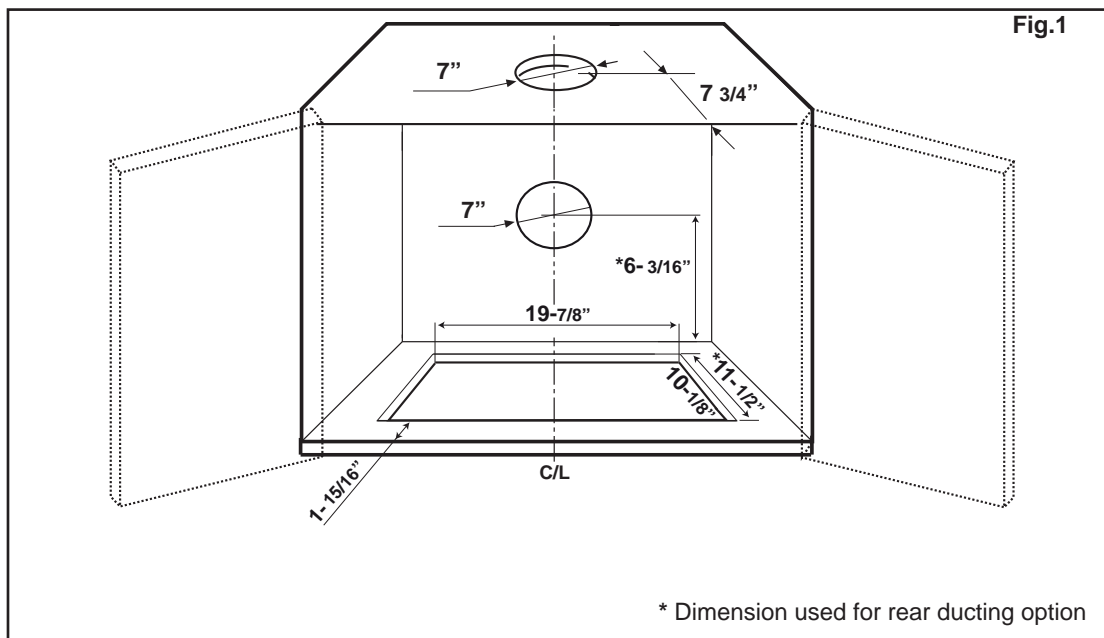
BACK



TOP

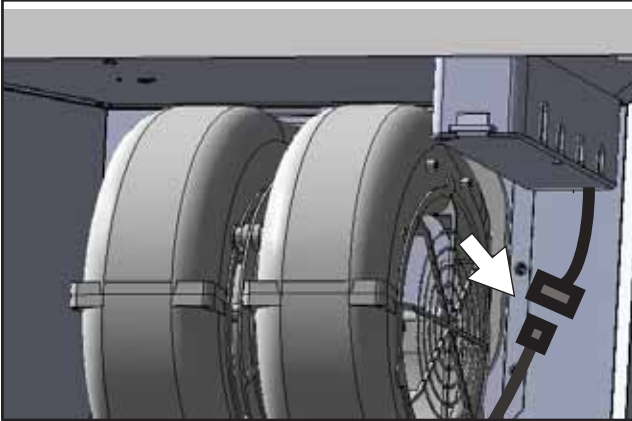


SIDE

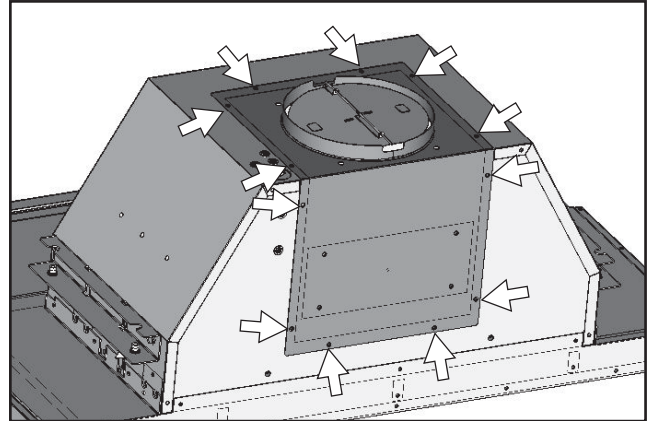


1. Determine and mark center line on wall and cabinet bottom with a pencil.
2. If the cabinet bottom is recessed, wood blocking must be installed to ensure proper alignment of the hood with the cabinet bottom. Wood blocking should be flush within cabinet bottom.
3. Follow the dimensions in Fig.1 and cut-out the bottom of your cabinet to create an opening for the hood to fit through. For frameless cabinet measure 1-15/16" from the front of cabinet door. For framed cabinet measure 1-15/16" from front of cabinet bottom.

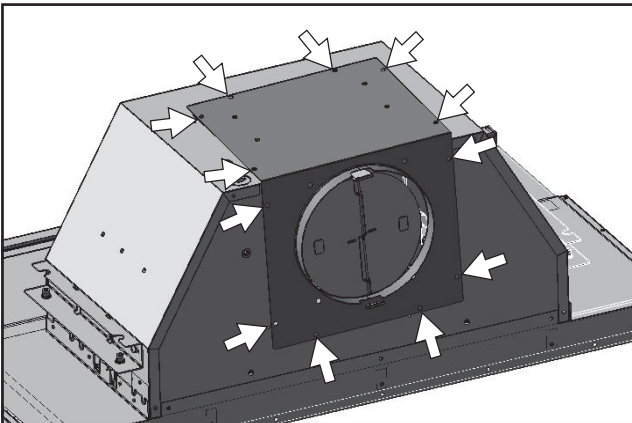
6" ROUND VERTICAL TO HORIZONTAL DUCTING CONVERSION



1) Remove aluminum mesh filter. From inside the hood, disconnect blower plug located toward the right side interior of hood body.



2) Remove (6) screws from top of hood and (6) screws from back of hood attaching blower plate to hood body.



3) Remove blower and blower plate from hood body and reposition blower to hood body so blower collar protrudes from back of hood body. Re-install blower plate to hood body using the (12) screws previously removed from step 2. Re-connect blower plug.

⚠ WARNING: Electrical wiring must be done by a qualified person(s) in accordance with all applicable codes and standards. This range hood must be properly grounded. Turn off electrical power at service entrance before wiring.

1) Prepare electrical wiring and ducting in cabinet. Location of junction box and blower outlet can be found on page 8.

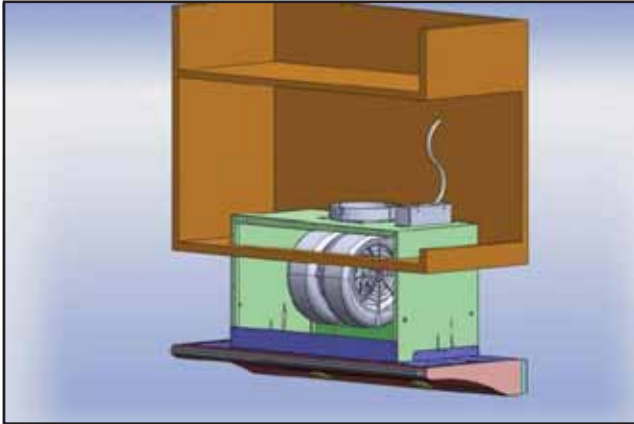


Fig.3

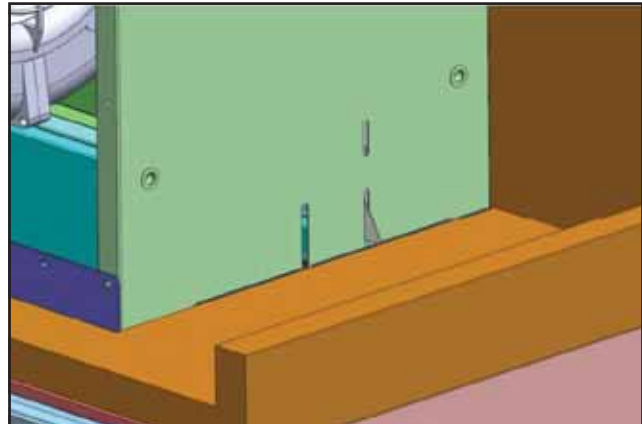


Fig.4

2) Open cabinet doors. Lift range hood and slide it through the opening located in the bottom of the cabinet, Fig.3. Make sure opening matches the dimensions on page 9, Fig.1.

3) There are spring clips located on the left and right sides of the hood body which will temporarily hold the hood in place, Fig.4.

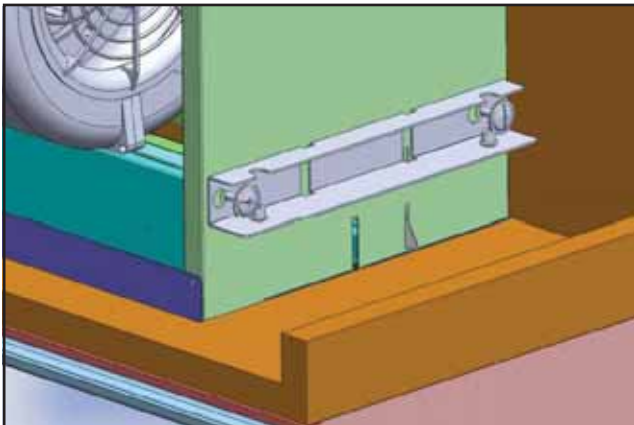


Fig.5

4) **24" Models Only.** Secure upper brackets to left and right sides of hood body by using (2) 3/16 x 3/8" screws for each bracket. Fig.5. Make sure the (2) captive nut screws holes on the bracket are facing downward.

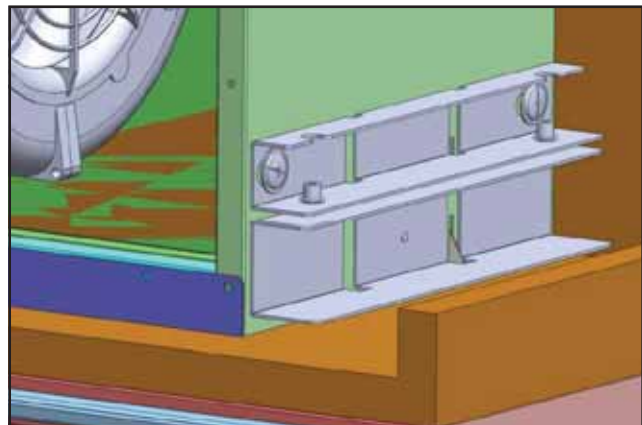


Fig.6

5) **24" Models Only.** Place lower installation brackets under upper installation brackets located on left and right sides of hood body, Fig.6. Note: The wider portion of the lower installation bracket should be at the bottom.

Installation – Installing the Hood

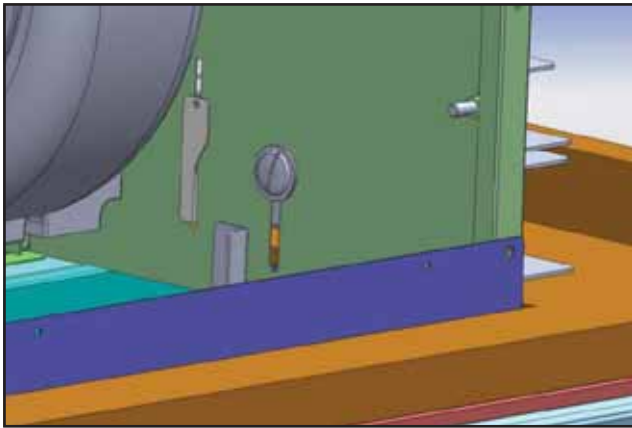


Fig.7

6) **24" Models Only.** From inside the hood, secure (1) M4x8 screw into each lower installation bracket. The position of this screw is adjustable to accommodate various cabinet bottom thicknesses, Fig.7.

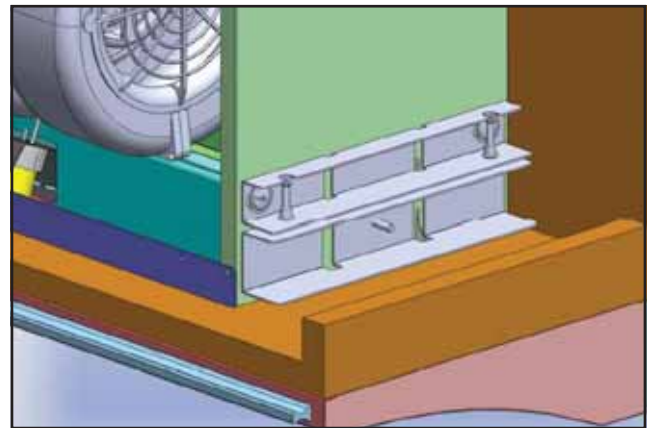
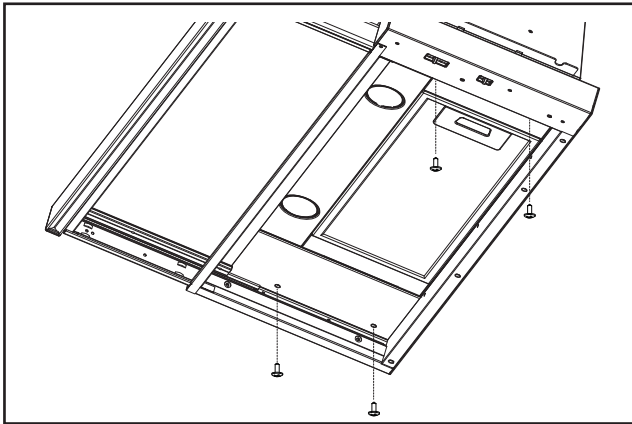
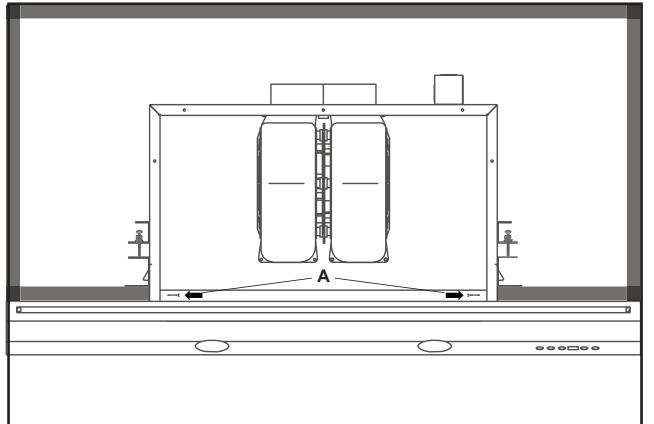


Fig.8

7) **24" Models Only.** Install (2) 3/16x40 screws into the captive nuts of each upper installation bracket. Tighten screws to adjust the height of the range hood until there is no gap between the cabinet and front edge of the hood, Fig.8.



8) **30" & 36" Models Only.** Secure hood body to cabinet base by (4) M4 x 16mm screws through the bottom of range hood.



9) Secure (2) 1" wood screws (A) into the screw holes on the left and right sides of the filter opening.

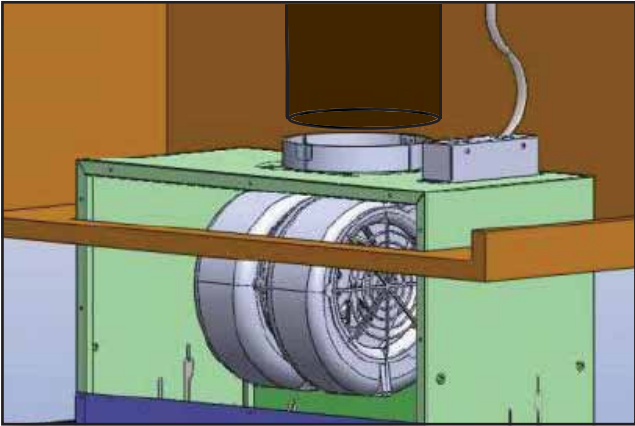
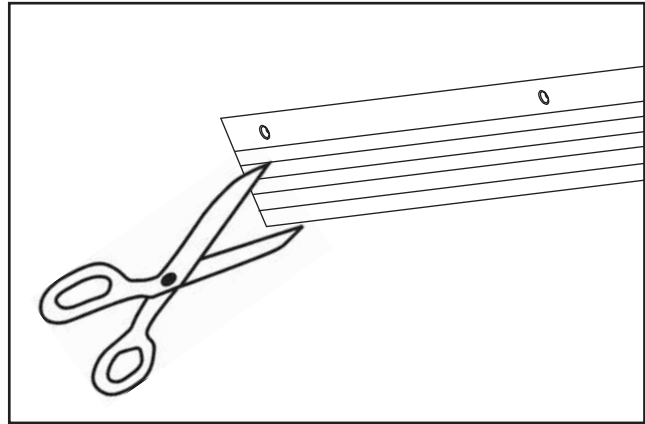


Fig.9

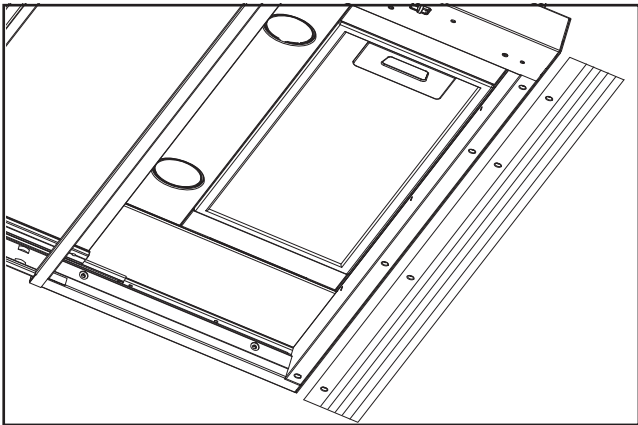
- 10) Place 6" round ducting over blower collar and secure with aluminum duct tape. If using hood in ductless recirculating mode turn to page 14.

Install electrical wiring. Note: A cable lock (not included) may be required by local codes. Check with local requirements and codes, purchase and install appropriate connector if necessary.

Make sure no packing material is inside hood. Power up hood check for leaks around duct tape and verify all functions.



- 11) Measure distance between back of range hood and wall (if any) and cut filler panel to the appropriate depth using a utility knife or heavy-duty scissors.



- 12) Install filler panel to bottom of hood by (4) 3.5x10 screws for 30" model or (5) 3.5x10 screws for 36" model.

Ductless recirculation is intended for applications where an exhaust duct work is not possible to be installed. When converted, the hood functions as a recirculating hood rather than an exhaust hood. Fumes and exhaust from cooking are drawn and filtered by an optional charcoal filter. The air is then purified and recirculated back within the home.

We recommend to ALWAYS exhaust air outside of the home by employing existing or installing new duct work, if possible. The hood is most effective and efficient as an exhaust hood. Only when the exhaust option is not possible should you recourse to converting the hood into a recirculating hood.

When converted to be a recirculating hood, a charcoal filter is required on top of the decorative mesh filter. Order according to its part number below. The decorative mesh filter is intended to capture residue from cooking and the optional charcoal filter helps to purify fumes exhausted from cooking for recirculation.

RECIRCULATING KIT (REQUIRED IF NOT DUCTED OUTSIDE THE HOME)

Kit includes charcoal filter, brackets and return air vent.

Hood Model	Part No.	Filters in Pkg.
ZPI	ZRC-00PI	1

1. Purchase recirculating kit per the part number above.
2. Remove decorative mesh filter from hood and place charcoal filter on top of mesh filter. Secure charcoal filter by 4 C clips from ZRC-00PI recirculation kit, 2 C clips for each elongated side of charcoal filter. Fig. 12
3. Reinstall decorative mesh filter.
4. In order to recirculate the air properly, a return air vent must be installed to allow recycled air to be returned to the kitchen, Fig. 11. Ducting must be run from the blower to the return air vent. The return air vent can be positioned on top of the cabinet or in a soffit/ceiling.
5. Charcoal filter must be replaced after every 120 hours of use or approximately every 3 to 4 months based on an average daily use of 1 hour of cooking time)

Charcoal Filter Replacement

Hood Model	Part No.	Qty to Order
ZPI	ZOF-C0PI	1

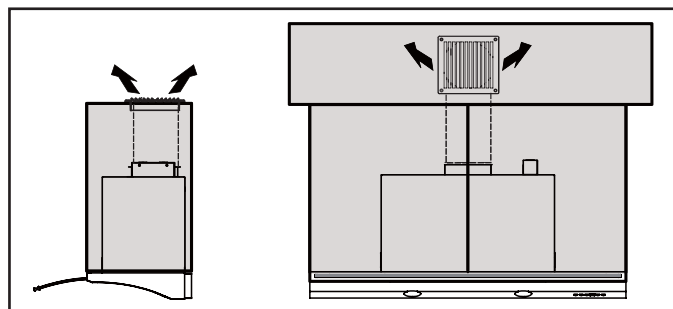


Fig.11

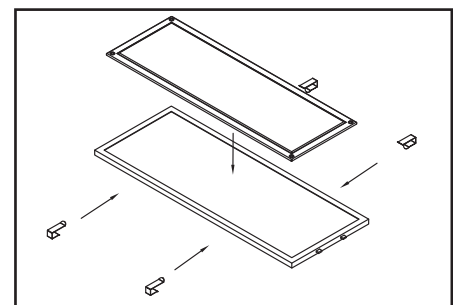


Fig.12

❶ Blower On/Off Speed Selection

❷ Lights Off/Dim/Bright



❶ BLOWER ON/OFF/SPEED SELECTION

0 is off, I is low speed, II is medium speed and III is high speed.

❷ LIGHTS OFF/DIM/BRIGHT

0 is off, I is dim, and II is bright.

**NOTE: Blower and lights will automatically shut off when the glass is closed and turn back on when the glass is opened.
Blower and lights will not operate when the glass is closed.**

SURFACE MAINTENANCE:

Do not use corrosive detergents, abrasive detergents or oven cleaners.
 Do not use any product containing chlorine bleach or any product containing chloride.
 Do not use steel wool or abrasive scrubbing pads which will scratch and damage surface.

Cleaning Stainless Steel

Clean periodically with warm soapy water and clean cotton cloth or micro fiber cloth. Always rub in the direction of the stainless steel grain. To remove heavier grease build up use a liquid degreaser detergent.

After cleaning use a non-abrasive stainless steel polish/cleaners, to polish and buff out the stainless luster and grain. Always scrub lightly, with clean cotton cloth or micro fiber cloth and buff in the direction of the stainless steel grain.

Decorative Mesh Filters

The mesh filter installed by the factory is intended to filter out residue and grease from cooking. It need not be replaced on a regular basis but is required to be kept clean.

Filter should be cleaned after every 30 hours of use or once a month.

Remove and clean by hand or in dishwasher on low heat. Spray degreasing detergent and leave to soak if heavily soiled.

Dry filter and re-install before using hood.

Replacing Mesh Filter

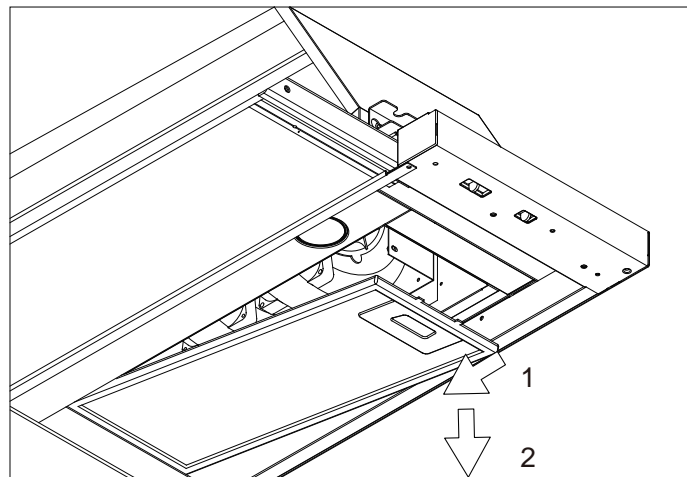
Should filter wear out due to age and prolonged use, replace with the following part number:

Hood Model:	Part No.	Qty. to Order.
ZPI	50200054	1

Replace any damaged filter that has punctured or broken mesh or damaged frame.

To remove decorative mesh filter:

1. Push in filter latch.
2. Tilt filter down and remove from hood.



REPLACING LIGHT BULBS

CAUTION: Light bulb becomes extremely hot when turned on.

DO NOT touch bulb until switched off and cooled. Touching hot bulbs could cause serious burns.

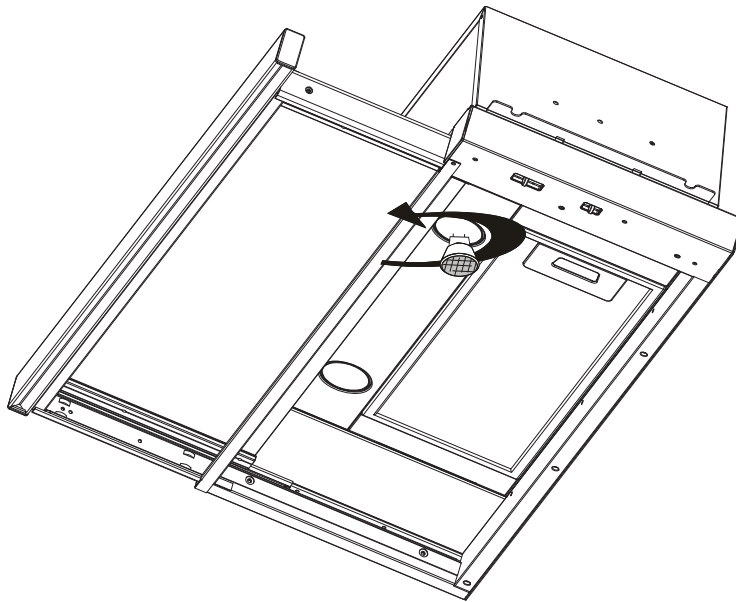
Make sure all power is turned off and bulbs are not hot.

Remove by turning bulb counter-clockwise. Note: Bulb does not unscrew; it turns 60 degrees, stops and falls out.

If bulbs are difficult to turn due to prolonged use, firmly attach a glass suction cup approximately the diameter of the bulb or use a rubber/latex glove to grip the bulb and turn counter clockwise.

Replacement bulbs are available at specialty lighting stores. Purchase type (MR16) GU-10 50W halogen.

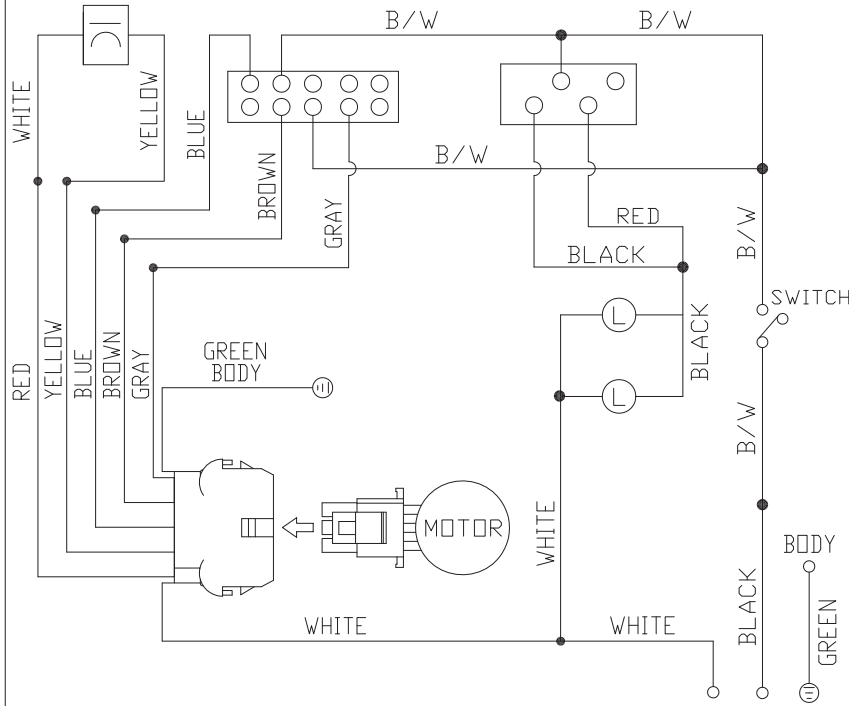
For Zephyr part numbers please turn to page 20 of the manual.



Wiring Diagrams

MODEL	VOLTS	HZ	MAX AMPS
ZPI-EXXX-290	120	60	2
ZPI-EXXX			3.3

CIRCUIT DIAGRAM



ZPI-EXXX-290: CONDENSER 3uF 250 VAC FIT AC120V 60Hz
 ZPI-EXXX: CONDENSER 20uF 250 VAC FIT AC120V 60Hz

TROUBLESHOOTING PROCEDURES FOR ZPI

Issue	Cause	What to do
After installation, the unit doesn't work.	1. The power source is not turned ON.	1. Make sure the circuit breaker and the unit's power is ON.
	2. The power line and the cable locking connector is not connecting properly.	2. Check the power connection with the unit is connected properly.
	3. Glass canopy is closed.	3. Glass canopy must be open to operate blower and lights.
	4. The switch board and control board wirings are disconnected.	4. Make sure the wirings between the switch board and control board are connected properly.
	5. The switch board or control board is defective.	5. Change the switch board or control board.
Light works, but blower is not turning.	1. The blower is defective, possible seized.	1. Change the blower.
	2. The thermally protected system detects if the blower is too hot to operate and shuts the blower down.	2. The blower will function properly after the thermally protected system cool down.
	3. Damaged capacitor.	3. Change the capacitor.
	4. The blower wire is not connected.	4. Make sure the blower wire is plugged into the molex connector.
The unit is vibrating.	1. The blower is not secure in place.	1. Tighten the blower screws in place.
	2. Damaged blower wheel.	2. Change the blower.
	3. The hood is not secured in place.	3. Check the installation of the hood.
The blower is working, but the lights are not.	1. Defective halogen bulb.	1. Change the halogen bulb.
	2. The light bulb is loose.	2. Tighten the light bulb.
	3. The light socket wires are disconnected.	3. Check the light socket wire connections.
The hood is not venting out properly.	1. The hood might be hanging too high from the cook top.	1. Adjust the distance between the cook top and the bottom of the hood within 24" and 32" range.
	2. Wind from opened windows or opened doors in the surrounding area is affecting the ventilation of the hood.	2. Close all the windows and doors to eliminate the outside wind flow.
	3. Blockage in the duct opening or duct work.	3. Remove all the blocking from the duct work or duct opening.
	4. The direction of duct opening is against the wind.	4. Adjust the duct opening direction.
	5. Using the wrong size of ducting.	5. Change the ducting to correct size.
Metal filter is vibrating.	1. Mesh filter is loose.	1. Change the mesh filter.
	2. Handle spring clip does not work properly	2. Adjust the handle until the spring clip works

List of Parts and Accessories

DESCRIPTION	PART#
Replacement Parts	
Light Bulb GU10 50W Halogen (each)	Z0B0020
Aluminum Mesh Filter	50200054
Optional Accessories	
Recirculating Kit	ZRC-00PI
Replacement Charcoal Filter (each)	Z0F-C0PI
Light Bulb GU10 LED (each)	Z0B0040

To order parts, visit us online at <http://store.zephyronline.com> or call us at 1.888.880.8368



STAPLE YOUR RECEIPT HERE
Proof of the original purchase
date is needed to obtain
service under warranty

TO OBTAIN SERVICE UNDER WARRANTY OR FOR ANY SERVICE RELATED QUESTIONS, please call:
1-888-880-8368

Zephyr Ventilation, LLC (referred to herein as “we” or “us”) warrants to the original consumer purchaser (referred to herein as “you” or “your”) of Zephyr products (the “Products”) that such Products will be free from defects in materials or workmanship as follows:

Three Year Limited Warranty for Parts: For three years from the date of your original purchase of the Products, we will provide, free of charge, Products or parts (including LED light bulbs, if applicable) to replace those that failed due to manufacturing defects. We may choose, in our sole discretion, to repair or replace parts before we elect to replace the Products.

One Year Limited Warranty for Labor: For one year from the date of your original purchase of the Products, we will provide, free of charge, the labor cost associated with repairing the Products or parts to replace those that failed due to manufacturing defects. After the first year from the date of your original purchase, you are responsible for all labor costs associated with this warranty.

Warranty Exclusions: This warranty covers only repair or replacement, at our option, of defective Products or parts and does not cover any other costs related to the Products including but not limited to: (a) normal maintenance and service required for the Products and consumable parts such as fluorescent, incandescent or halogen light bulbs, mesh and charcoal filters and fuses; (b) any Products or parts which have been subject to freight damage, misuse, negligence, accident, faulty installation or installation contrary to recommended installation instructions, improper maintenance or repair (other than by us); (c) commercial use of the Products or use otherwise inconsistent with its intended purpose; (d) natural wear of the finish of the Products or wear caused by improper maintenance, use of corrosive and abrasive cleaning products, pads, and oven cleaner products; (e) chips, dents or cracks caused by abuse or misuse of the Products; (f) service trips to your home to teach you how to use the Products; (g) damage to the Products caused by accident, fire, floods, acts of God; or (h) Custom installations or alterations that impact serviceability of the Products. If you are outside our service area, additional charges may apply for shipping costs for warranty repair at our designated service locations and for the travel cost to have a service technician come to your home to repair, remove or reinstall the Products. After the first year from the date of your original purchase, you are also responsible for all labor costs associated with this warranty.

Limitations of Warranty. OUR OBLIGATION TO REPAIR OR REPLACE, AT OUR OPTION, SHALL BE YOUR SOLE AND EXCLUSIVE REMEDY UNDER THIS WARRANTY. WE SHALL NOT BE LIABLE FOR INCIDENTAL, CONSEQUENTIAL OR SPECIAL DAMAGES ARISING OUT OF OR IN CONNECTION WITH THE USE OR PERFORMANCE OF THE PRODUCTS. THE EXPRESS WARRANTIES IN THE PRECEDING SECTION ARE EXCLUSIVE AND IN LIEU OF ALL OTHER EXPRESS WARRANTIES. WE HEREBY DISCLAIM AND EXCLUDE ALL OTHER EXPRESS WARRANTIES FOR THE PRODUCTS, AND DISCLAIM AND EXCLUDE ALL WARRANTIES IMPLIED BY LAW, INCLUDING THOSE OF MERCHANTABILITY AND FITNESS FOR A PARTICULAR PURPOSE. Some states or provinces do not allow limitations on the duration of an implied warranty or the exclusion or limitation of incidental or consequential damages, so the above limitations or exclusions may not apply to you. To the extent that applicable law prohibits the exclusion of implied warranties, the duration of any applicable implied warranty is limited to the same two-year period described above. Any oral or written description of the Products is for the sole purpose of identifying the Products and shall not be construed as an express warranty. Prior to using, implementing or permitting use of the Products, you shall determine the suitability of the Products for the intended use, and you shall assume all risk and liability whatsoever in connection with such determination. We reserve the right to use functionally equivalent refurbished or reconditioned parts or Products as warranty replacements or as part of warranty service. This warranty is not transferable from the original purchaser and applies in the United States and Canada.

To Obtain Service Under Limited Warranty: To qualify for warranty service, you must: (a) notify us at the address or telephone number stated below within 60 days of the discovery of the defect; (b) give the model number and part identification number and serial number; and (c) describe the nature of any defect in the Product or part. At the time of the request for warranty service, you must present evidence of your proof of purchase and proof of the original purchase date. If we determine that the warranty exclusions listed above apply or if you fail to provide the necessary documentation to obtain service, you will be responsible for all shipping, travel, labor and other costs related to the services.

Please check our website for any revisions, www.zephyronline.com.

Zephyr Ventilation Service Department, 2277 Harbor Bay Parkway, Alameda, CA 94502 1-888-880-8368

AUG14.0401

PRODUCT REGISTRATION

Congratulations on your Zephyr range hood purchase! Please take a moment to register your new range hood at www.zephyronline.com/registration

IT'S IMPORTANT

Prompt registration helps in more ways than one.

- Ensures warranty coverage should you need service.
- Ownership verification for insurance purposes.
- Notification of product changes or recalls.



Zephyr Ventilation | 2277 Harbor Bay Pkwy. | Alameda, CA 94502 | 1.888.880.8368

Pisa

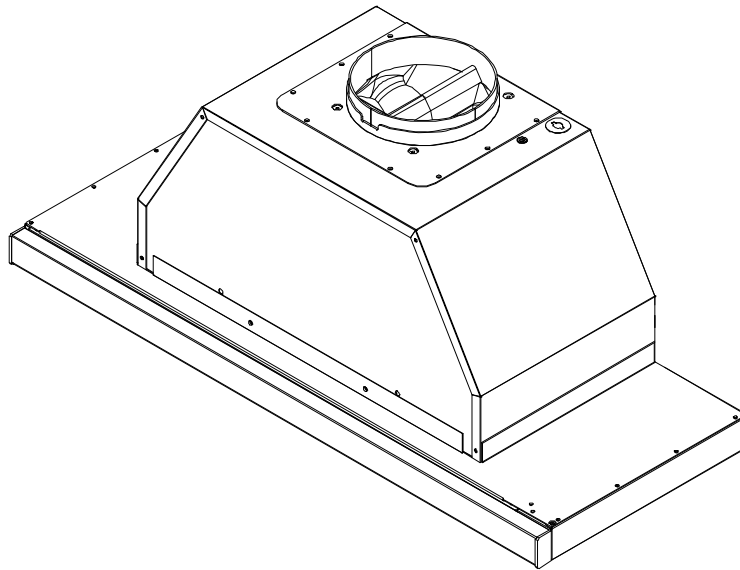
ZPI-E24AG
ZPI-E24AG290

ZPI-E24AW
ZPI-E24AW290

ZPI-E30AG
ZPI-E30AG290

ZPI-E30AW
ZPI-E30AW290

ZPI-E36AG
ZPI-E36AG290



Numéro de modèle : _____

Numéro de série : _____

NOV17.0701 © Zephyr Ventilation LLC.



MISE EN GARDE DE SÉCURITÉ	2-3
LISTE DU MATÉRIEL	4
INSTALLATION	
Feuille de calcul pour le conduit	5
Espace libre et hauteur de montage.....	6
Options d'installation pour le conduit.....	7
Spécifications de la hotte.....	8
Préparation de l'armoire.....	9
Conversion pour conduit horizontal.....	10
Montage de la hotte	11-13
Trousse de recirculation d'air.....	14
COMMANDES	
Curseurs	15
ENTRETIEN	
Nettoyage de la hotte et du filtre	16
Lumières	17
SCHÉMA DE CÂBLAGE	18
DÉPANNAGE	19
LISTE DES PIÈCES ET ACCESSOIRES	20
GARANTIE	21
ENREGISTRMENT DU PRODUIT	22

AVERTISSEMENT

POUR RÉDUIRE LES RISQUES D'INCENDIE OU DE DÉCHARGE ÉLECTRIQUE, N'UTILISEZ PAS CET APPAREIL AVEC UN TABLEAU DE COMMANDE À SEMI-CONDUCTEURS.

AVERTISSEMENT

POUR RÉDUIRE LES RISQUES D'INCENDIE, DE DÉCHARGE ÉLECTRIQUE OU DE BLESSURE, RESPECTEZ CES CONSIGNES :

- N'utilisez cet appareil que de la manière prévue par le fabricant. Si vous avez des questions, communiquez avec le fabricant.
- Avant de procéder au nettoyage ou à l'entretien de l'appareil, éteignez l'alimentation du panneau électrique et bloquez le dispositif de déconnexion pour éviter que l'alimentation électrique ne soit accidentellement rallumée. Si le dispositif de sectionnement d'électricité ne peut être bloqué, attachez un avertissement (comme une étiquette) bien en vue sur le tableau électrique.

ATTENTION

Pour ventilation générale seulement. N'utilisez pas cet appareil pour évacuer des vapeurs et des matériaux explosifs ou dangereux. Prenez garde lors de l'utilisation d'agents nettoyants ou de détergents. Ne devrait être utilisé que dans la cuisine de votre maison.

AVERTISSEMENT

POUR RÉDUIRE LES RISQUES DE FEU DE GRAISSE SUR LA SURFACE DE CUISSON :

- Ne laissez jamais l'appareil sans surveillance lors de son utilisation à haute température. Les débordements par bouillonnement causent de la fumée et des déversements de graisse qui peuvent prendre feu. Faites chauffer l'huile à des températures basses ou moyennes.
- Allumez toujours la hotte lorsque vous cuisinez à haute température ou que vous faites flamber des aliments.
- Nettoyez fréquemment les ventilateurs de la hotte. La graisse ne devrait jamais s'accumuler dans les ventilateurs ou les filtres.
- Utilisez des poêlons aux dimensions adéquates. Utilisez toujours une batterie de cuisine correspondant aux dimensions de l'élément.
- Assurez-vous que le ventilateur, les filtres et les surfaces où la graisse pourrait s'accumuler sont toujours propres.
- Utilisez le réglage haut de la hotte seulement lorsque nécessaire.
- Ne laissez pas la hotte sans surveillance lorsque vous cuisinez.
- Utilisez toujours une batterie de cuisine et des ustensiles convenant au type et à la quantité de nourriture que vous préparez.

AVERTISSEMENT

POUR RÉDUIRE LES RISQUES DE BLESSURE LORS D'UN INCENDIE SUR LA SURFACE DE CUISSON :

- ÉTOUFFEZ LES FLAMMES avec un couvercle, une plaque à biscuits ou un plateau de métal et éteignez ensuite le brûleur. PRENEZ GARDE AUX RISQUES DE BRÛLURE. Si les flammes ne disparaissent pas, ÉVACUEZ LES LIEUX ET APPELEZ LE SERVICE D'INCENDIE.
- NE PRENEZ JAMAIS UN POÊLON EN FEU – Vous pourriez vous brûler.
- N'UTILISEZ PAS D'EAU, ou un linge à vaisselle mouillé – une violente explosion de vapeur s'ensuivra.
- Utilisez un extincteur SEULEMENT si :
 - Vous savez que vous possédez un extincteur de classe ABC et vous savez vous en servir.
 - Le feu est faible et ne s'est pas répandu depuis son point d'origine.
 - Vous avez appelé le service d'incendie.
 - Vous pouvez sortir facilement de l'endroit où vous combattez le feu.

AVERTISSEMENT

POUR RÉDUIRE LES RISQUES D'INCENDIE, DE DÉCHARGE ÉLECTRIQUE OU DE BLESSURE, SUIVEZ LES CONSIGNES SUIVANTES :

- Les travaux d'installation et de câblage électrique doivent être faits par une personne qualifiée selon les stipulations de tous les normes et standards en vigueur, dont les normes des constructions ayant une cote de résistance au feu.
- Pour prévenir les contre-explosions, une certaine quantité d'air est nécessaire pour la combustion et l'évacuation des gaz par le carneau (cheminée) de l'appareil de combustion. Respectez les directives du fabricant d'outillage de chauffage et les normes de sécurité comme celles publiées par la NFPA (Association nationale des services d'incendie), par la Société américaine des ingénieurs en chauffage, réfrigération et climatisation (ASHRAE) et par les normes des autorités locales.
- Lorsque vous coupez ou percez un mur ou un plafond, assurez-vous de ne pas endommager le câblage électrique ou toute autre installation technique dissimulée.
- Les ventilateurs canalisés doivent toujours évacuer l'air à l'extérieur.
- N'installez JAMAIS un interrupteur à une distance atteignable depuis un bain ou une douche.
- Assurez-vous que l'alimentation électrique est éteinte avant de procéder à l'installation, au câblage ou à l'entretien de l'appareil

ATTENTION

POUR RÉDUIRE LES RISQUES D'INCENDIE, N'UTILISEZ QUE DES CONDUITS D'AÉRATION EN MÉTAL.

ATTENTION

Pour réduire les risques d'incendie et pour évacuer l'air convenablement, assurez-vous de canaliser l'air à l'extérieur de la maison. N'installez pas l'échappement du conduit dans les espaces entre les murs, le plafond, le grenier, les vides sanitaires ou le garage.

FONCTIONNEMENT

Laissez toujours les grilles de sûreté et les filtres en place. Sans ces éléments, les ventilateurs en marche pourraient accrocher des cheveux, des doigts ou des vêtements amples.

Le fabricant se dégage de toute responsabilité dans les cas de non-respect des instructions transmises dans le présent manuel pour l'installation, l'entretien et l'utilisation adéquate du produit. Le fabricant se dégage également de toute responsabilité pour des blessures qui résulteraient de la négligence lors de l'utilisation. De plus, la garantie prend fin automatiquement lors de l'entretien inapproprié de l'appareil.

*NOTE : Veuillez consulter le www.zephyronline.com pour obtenir des révisions avant de procéder à des travaux sur commande.

EXIGENCES ÉLECTRIQUES

Important :

Respectez tous les codes et règlements en vigueur.

Il est de la responsabilité du client de :

- Communiquer avec un installateur-électricien qualifié.
- S'assurer que l'installation électrique est adéquate et qu'elle respecte le Code national de l'électricité, la plus récente édition* du ANSI/NFPA 70 ou des normes du CSA C22.1-94, le Code canadien de l'électricité, section 1, la plus récente édition** du code C22.2 No.0-M91 ainsi que tous les codes et règlements en vigueur.

Si les codes permettent l'utilisation d'un fil de garde isolé et que vous en utilisez un, il est recommandé qu'un électricien qualifié détermine si le cheminement du fil est adéquat.

N'effectuez pas la mise à la terre à un tuyau de gaz.

Demandez à un électricien qualifié si vous n'êtes pas certain que la hotte a été mise à la terre adéquatement.

N'introduisez aucun fusible dans le circuit neutre ou de mise à la terre.

*National Fire Protection Association Batterymarch Park, Quincy, Massachusetts 02269

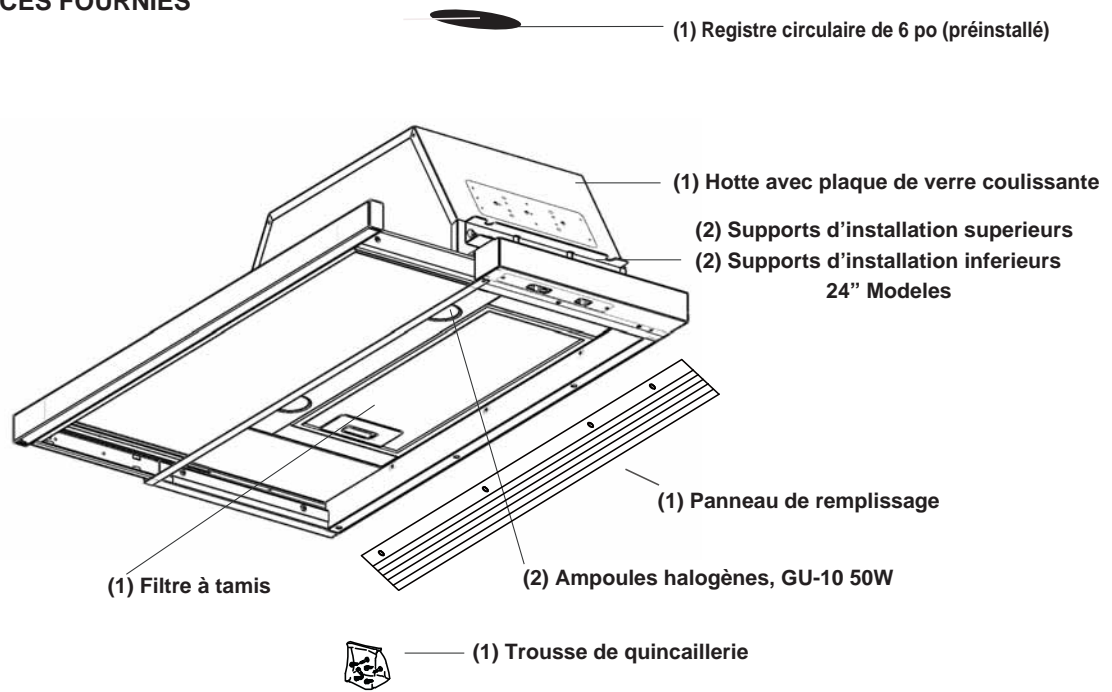
** CSA International 8501 East Pleasant Valley Road, Cleveland, Ohio 44131-5575

Cet appareil requiert une alimentation électrique de 120V 60Hz. Il doit être connecté à un circuit terminal individuel dûment mis à la terre, protégé par un disjoncteur de circuit ou un fusible temporisé de 15 ou 20 ampères. Le câblage doit compter 2 fils avec mise à la terre. Veuillez vous référer au Diagramme électrique étiqueté sur l'appareil.

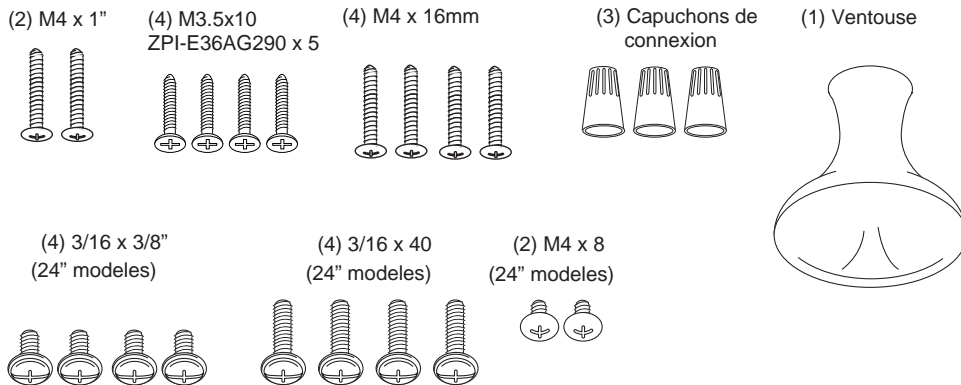
Un raccord de câble (non inclus) pourrait également être exigé par les normes et réglementations locales. Informez-vous des exigences et des normes locales. Achetez et installez le connecteur approprié si nécessaire.

Liste du matériel

PIÈCES FOURNIES

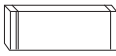

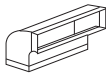
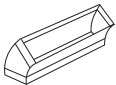
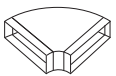
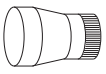

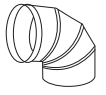



CONTENU DE LA TROUSSE DE QUINCAILLERIE

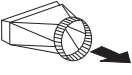
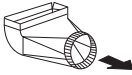
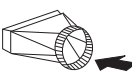


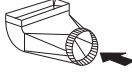
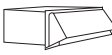
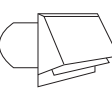



PIÈCES NON FOURNIES

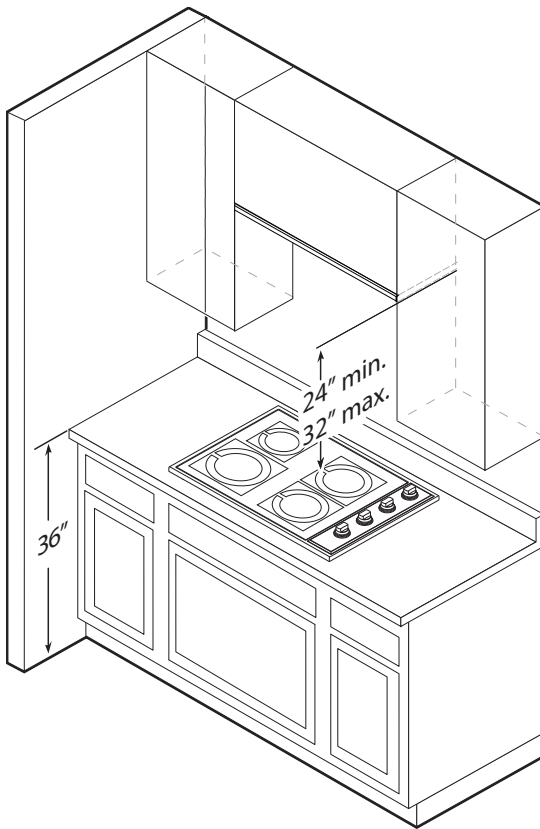
- Conduit et tous les outils d'installation
- Raccord de câble (si exigé par les codes en vigueur)

Pièces de conduit		Longueur x Nombre utilisé =	Total
	3-1/4" x 10" rect., droit	1 pi x () =	pi
	6", 7", 8", 10" circ., droit	1 pi x () =	pi
	3-1/4" x 10" rect., coude à 90°	15 pi x () =	pi
	3-1/4" x 10" rect., coude à 45°	9 pi x () =	pi
	3-1/4" x 10" rect., coude plat à 90°	24 pi x () =	pi
	7" to 6" or 8" to 7" circ. reducteur conique	25 pi x () =	pi
	6", 7", 8" circ. bouchone de l'air	15 pi x () =	pi
	6", 7", 8", 10" circ., coude à 90°	15 pi x () =	pi
	6", 7", 8", 10" coude à 45°	9 pi x () =	pi
Sous-total - colonne 1 =			pi

Longueur maximale du conduit d'aération :
Pour un mouvement d'air convenable, la longueur totale d'un conduit d'aération ne devrait pas compter plus que l'équivalent de 100 pieds.

Pièces de conduit		Longueur x Nombre utilisé =	Total
	6" circ. à rect. de 3-1/4" x 10"	5 pi x () =	pi
	6" circ. à rect. de 3-1/4" x 10", coude à 90°	20 pi x () =	pi
	6" circ. à rect. de 3-1/4" x 10"	1 pi x () =	pi
	6" circ. à rect. de 3-1/4" x 10", coude à 90°	16 pi x () =	pi
	7" circ. à rect. de 3-1/4" x 10"	8 pi x () =	pi
	7" circ. à rect. de 3-1/4" x 10", coude à 90°	23 pi x () =	pi
	3-1/4" x 10" embout mural rect./registre	30 pi x () =	pi
	6", 7", 8", 10" embout mural circ./registre	30 pi x () =	pi
	6", 7", 8", 10" chapeau de toiture circ.	30 pi x () =	pi
Sous-total - colonne 2 =			pi
Sous-total - colonne 1 =			pi
Total du conduit =			pi

Installation – Feuille de calcul pour le conduit d'aération



La hauteur de montage minimale ne devrait pas être moins de 24 po et plus de 32 po.

Il est important d'installer la hotte à la hauteur de montage adéquate. Les hottes installées trop basses pourraient être endommagées par la chaleur en plus de présenter des risques d'incendie plus élevés tandis que les hottes installées trop hautes seront difficiles à atteindre et verront leur efficacité et leur rendement réduits.

Si elles sont disponibles, consultez les exigences de hauteur d'espace libre requise par le fabricant de la cuisinière ainsi que la hauteur recommandée de montage de la hotte au-dessus de la surface de cuisson. Informez-vous toujours des normes et des réglementations locales en vigueur pour toute différence par rapport aux normes du fabricant.

ENDOMMAGEMENT LORS DE LA LIVRAISON/INSTALLATION :

- Veuillez vous assurer que toutes les pièces de l'appareil ne sont pas endommagées avant l'installation.
- Si l'appareil est endommagé durant la livraison, retournez l'appareil à l'endroit où vous l'avez acheté pour réparation ou remplacement.
- Si l'appareil est endommagé par le client, la réparation ou le remplacement est à la charge du client.
- Si l'appareil est endommagé par l'installateur (si autre que le client), le client et l'installateur doivent en venir à une entente pour la réparation ou le remplacement.

CONDUIT D'AÉRATION

Un conduit circulaire de 6" doit être utilisé pour assurer une circulation d'air maximale.

N'utilisez que des conduits en métal rigide. Les conduits souples peuvent réduire la circulation d'air de 50 %.

Utilisez la feuille de calcul pour obtenir la longueur totale du conduit.

Lorsqu'il est possible de le faire, diminuez TOUJOURS le nombre de pièces et de changements de direction. Si un long tronçon de conduit est nécessaire, augmentez le diamètre du conduit de 6" à 7" ou 8".

Si des changements de direction ou des adaptateurs sont nécessaires, installez-les le plus loin possible de l'ouverture et le plus éloigné possible l'un de l'autre.

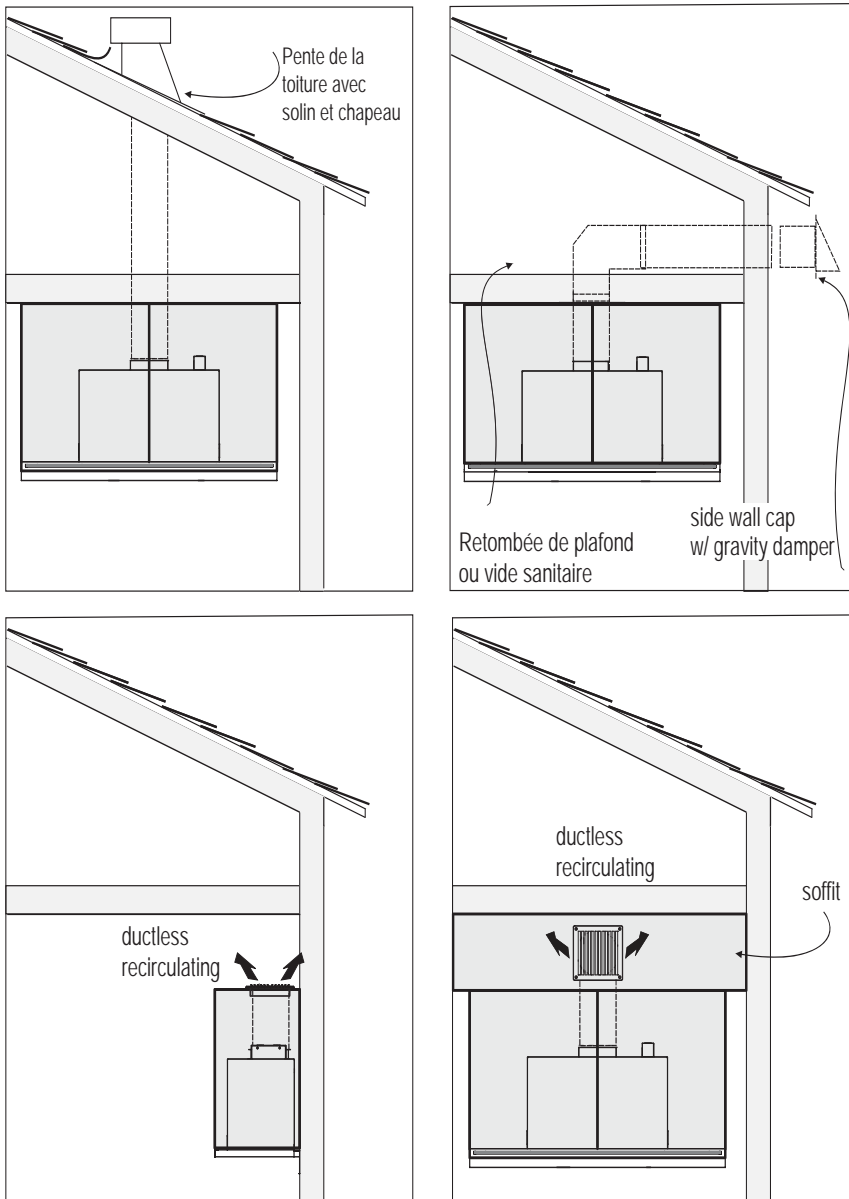
AVERTISSEMENT DE RISQUE D'INCENDIE

N'évacuez ou ne terminez JAMAIS l'échappement du conduit dans les espaces entre les murs, les vides sanitaires, le plafond, le grenier, ou le garage. Tous les échappements doivent être dirigés à l'extérieur de la maison.

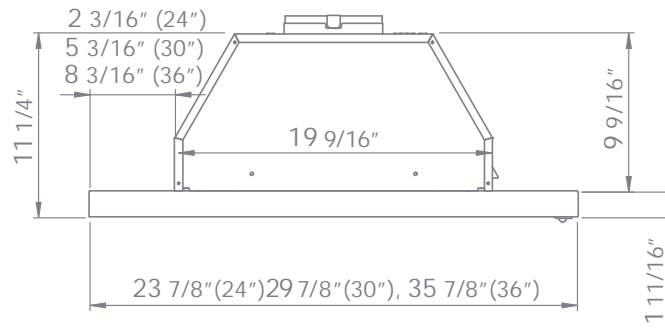
N'utilisez que des conduits en métal pour cloison simple.

Fixez toutes les pièces du conduit avec des vis à tôle et isolez tous les joints avec du ruban adhésif en toile ou du ruban réflecteur certifié.

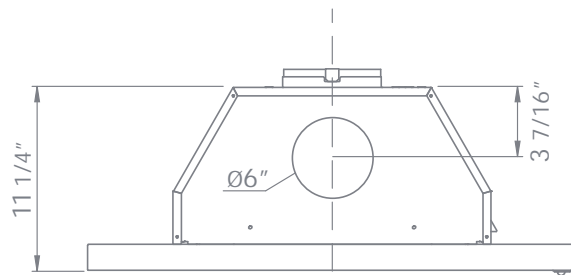
Quelques options pour le conduit d'aération



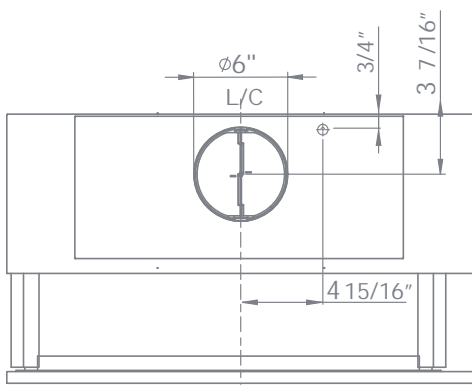
Installation – Spécifications de la hotte



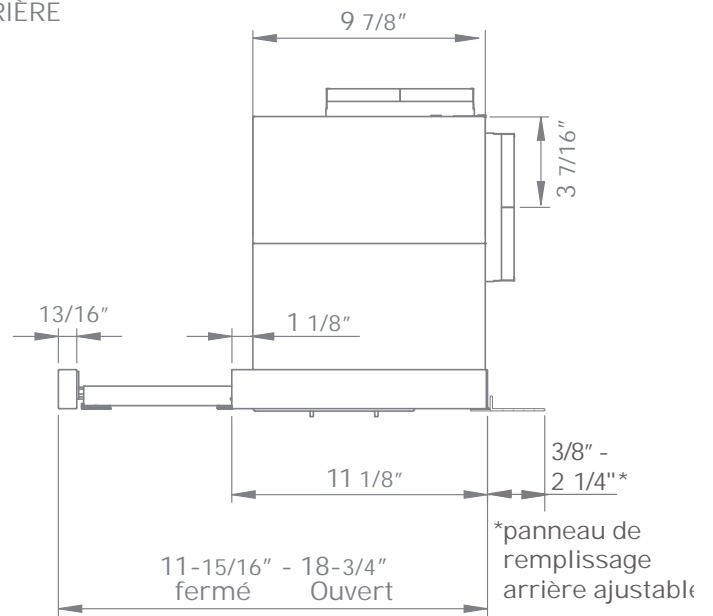
DEVANT



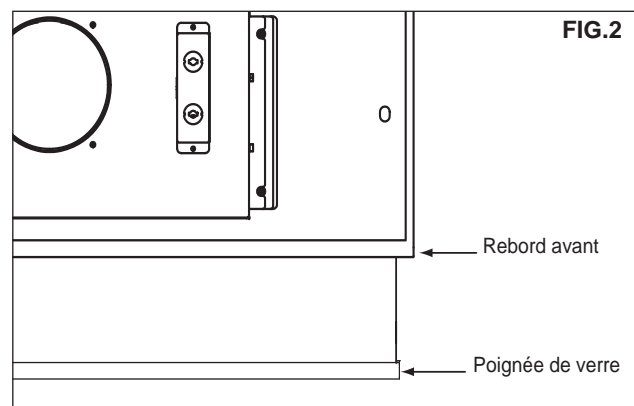
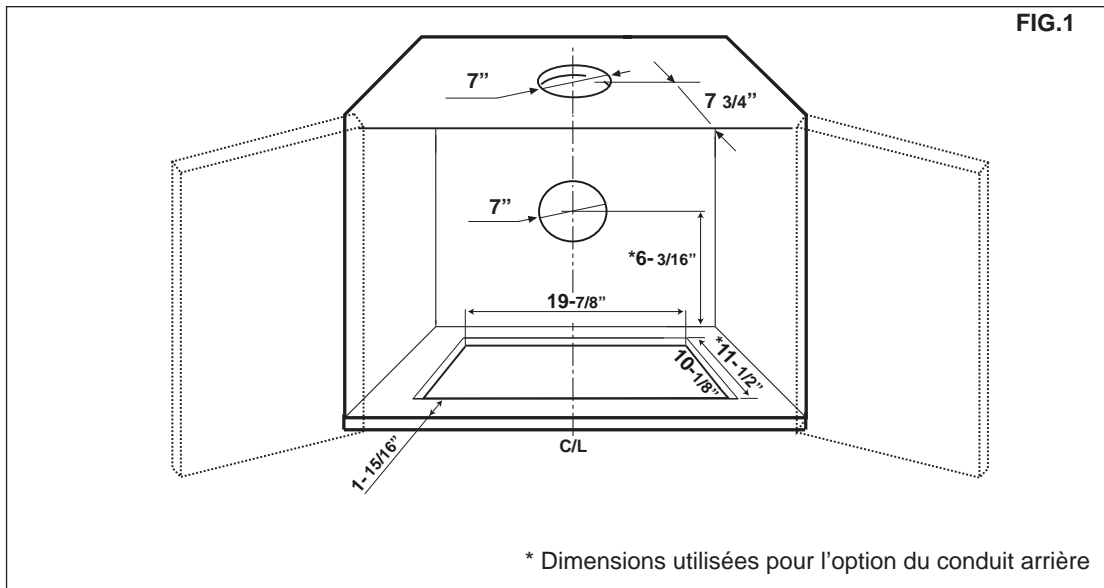
L/C
 ARRIÈRE



DESSUS

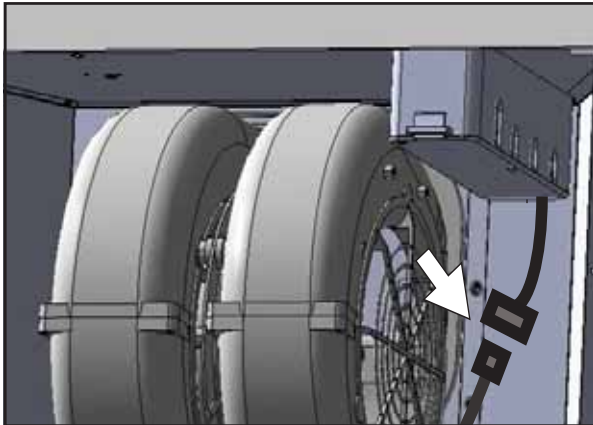


CÔTÉ

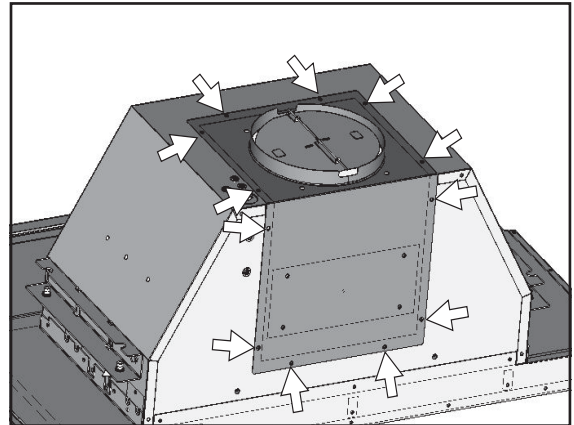


1. Déterminez l'emplacement de la ligne centrale et tracez-la sur le mur et le dessous de l'armoire avec un crayon.
2. Si le dessous de l'armoire est enfoncé, vous devez installer des pièces de renforcement en bois pour vous assurer de l'alignement adéquat de la hotte avec le dessous de l'armoire. Les morceaux de bois doivent être de niveau avec le dessous de l'armoire.
3. Consultez les dimensions de la Fig. 1 et faites un trou dans la partie inférieure de l'armoire afin de créer une ouverture pouvant accueillir la hotte. Pour les armoires sans charpente, mesurez une distance de 1-15/16 po à partir de l'avant de la partie inférieure de l'armoire.

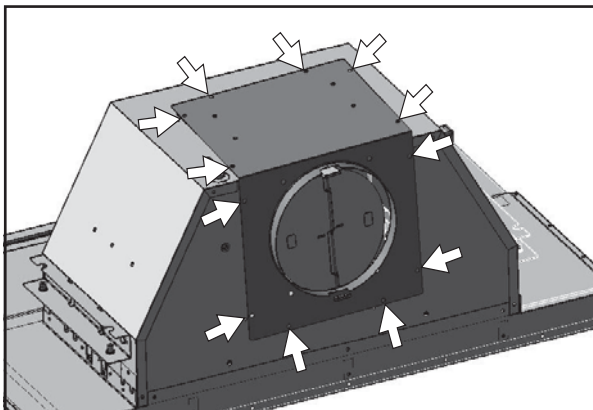
CONVERSION VERTICALE D'UN CONDUIT CIRCULAIRE HORIZONTAL DE 6 PO



- 1) Enlevez le filtre à tamis en aluminium. Depuis l'intérieur de la hotte, débranchez le câble du ventilateur, situé du côté droit de la hotte



- 2) Enlevez les six (6) vis de la partie supérieure de la hotte et les six (6) vis de l'arrière de la hotte qui retiennent la plaque du ventilateur au bâti de la hotte.



- 3) Retirez le ventilateur et la plaque du ventilateur de la hotte et replacez le ventilateur dans la hotte de façon à ce que le collier du ventilateur sorte à l'arrière du bâti de la hotte. Réinstallez la plaque du ventilateur au bâti de la hotte en utilisant les douze (12) vis préalablement enlevées à l'étape 2. Rebranchez le ventilateur.

⚠ AVERTISSEMENT: Le câblage électrique doit être effectué par une ou des personnes qualifiées selon les stipulations de tous les normes et standards en vigueur. Éteignez l'alimentation électrique à l'entrée de service avant de procéder au câblage.

- 1) Préparez le câblage électrique et le conduit dans l'armoire. Les emplacements de la boîte de connexion et de la prise du ventilateur sont indiqués à la page 8.

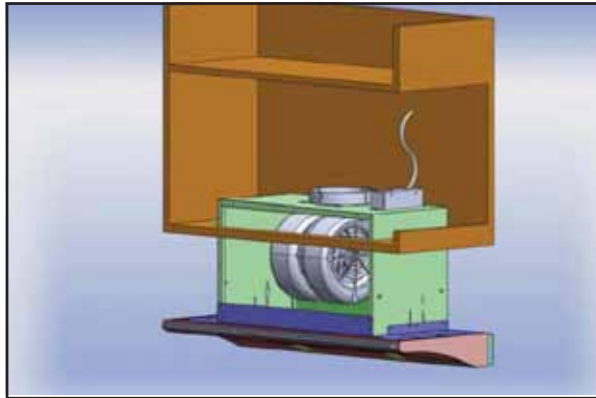


FIG.3

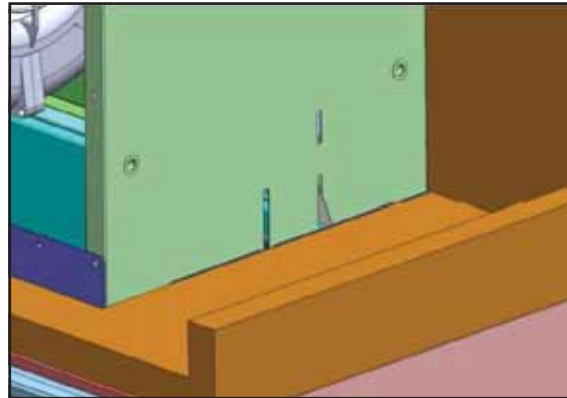


FIG.4

- 2) Ouvrez les portes de l'armoire. Soulevez la hotte et faites-la glisser dans l'ouverture sous l'armoire (Fig. 3). Assurez-vous que l'ouverture correspond aux dimensions indiquées à la page 9 (Fig.1).
- 3) Des attaches à ressort sont situées des côtés gauche et droit du bâti de la hotte. Ces attaches retiendront temporairement la hotte en place (Fig. 4).

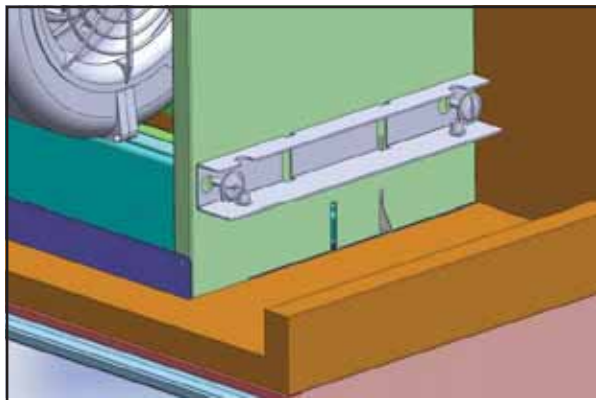


FIG.5

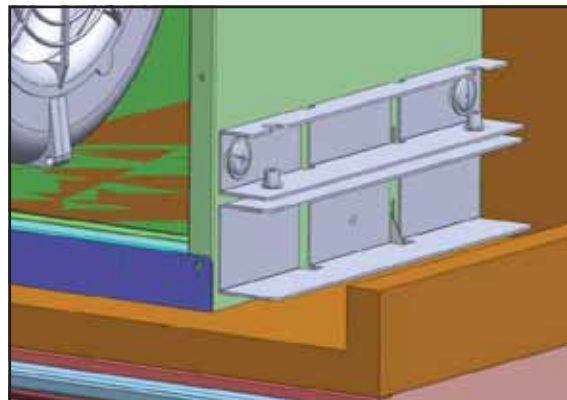


FIG.6

- 4) Fixez les supports superieurs des cotes gauche et droit du bati de la hotte a l'aide de deux (2) vis de 3/16 x 3/8 po chacun (Fig.5). Assurez-vous que les deux (2) trous des ecrous prisonniers du support sont orientes vers le bas.
- 5) Fixez les supports d'installation inferieurs sous les supports d'installation superieurs, situes des cotes gauche et droit du bati (Fig.6).

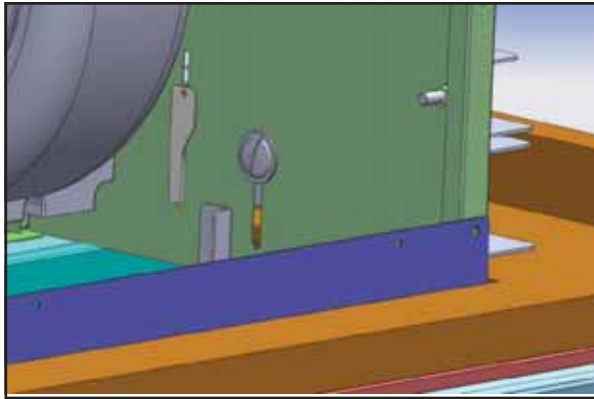


FIG.7

6) 24" Modele. Depuis l'intérieur de la hotte, fixez une (1) vis M4x8 dans chaque support d'installation inferieur. La position de cette vis s'ajuste en fonction de l'épaisseur de l'armoire (Fig.7).

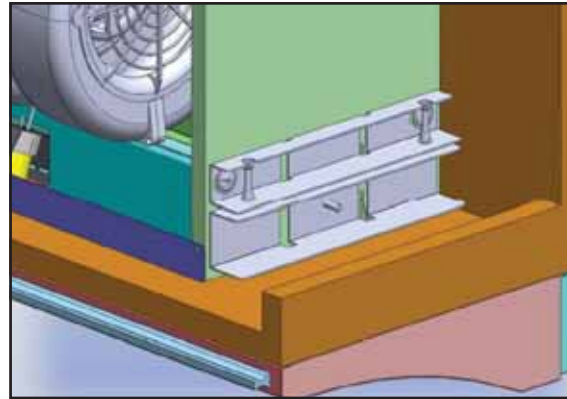
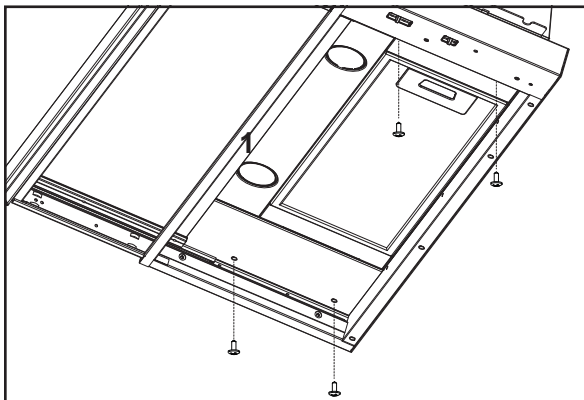
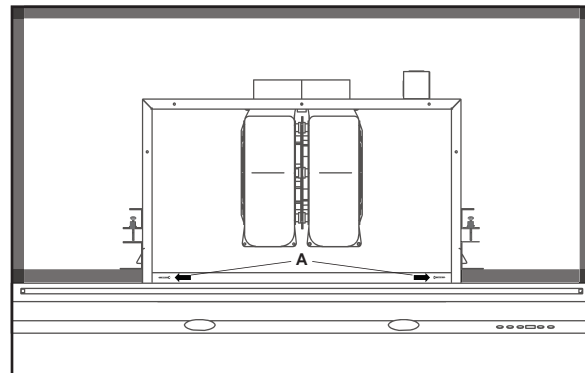


FIG.8

7) 24" Modele. Installez deux (2) vis 3/16x40 dans les ecrous prisonniers de chaque support d'insatllation superieur. Serrez les vis our aduster la hauteur de la hotte jusqu'a ce qu'il n'ait plus d'espace entre le dessous de l'armoire et l'avant de la Hotte (fig. 8)



8) Outre corps de la hotte sécurisé à la base de l'armoire par (4 vis) M4 x 16mm à travers le fond de la hotte.



9) Fixez deux (2) vis à bois (A) dans les trous à vis des côtés gauche et droit de l'ouverture du filtre.

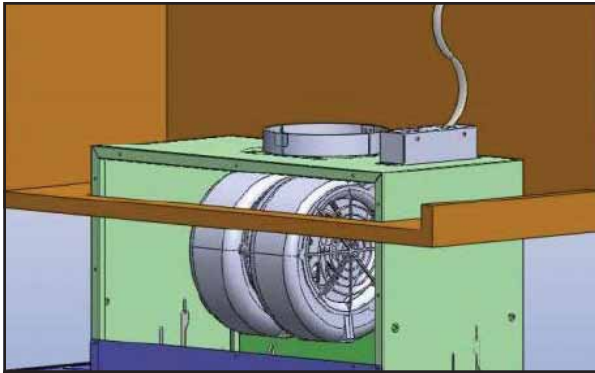
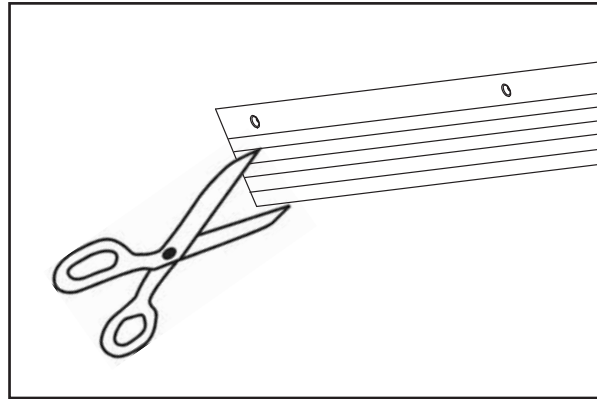


FIG.9

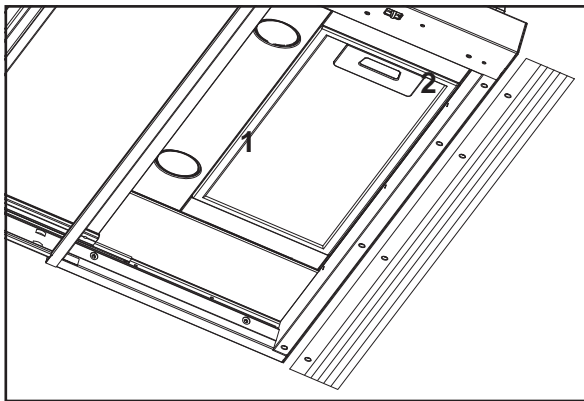
- 10) Placez le conduit circulaire de 6 po sur le collier du ventilateur et fixez-le avec du ruban à conduit en aluminium. Si vous utilisez la hotte avec le mode de recirculation d'air, allez à la page 13.

Installez les composantes électriques. Note : Les codes locaux peuvent exiger l'utilisation d'un raccord de câble (non inclus). Consultez les codes et exigences en vigueur, puis achetez et installez le connecteur approprié s'il le faut.

Assurez-vous qu'il ne reste aucun élément d'emballage à l'intérieur de la hotte. Allumez la hotte pour vérifier s'il y a des fuites autour de connexions et assurez-vous que la hotte est fonctionnelle.



- 11) Mesurez la distance entre l'arrière de la hotte et le mur (s'il y a lieu) et coupez avec un couteau tout usage ou avec des ciseaux robustes le panneau de remplissage d'une profondeur adéquate.



- 12) Fixez le panneau de remplissage à la partie inférieure de la hotte avec quatre (4) vis M3.5x10 de 30" et (5) vis M3.5x10 de 36".

La configuration de recirculation d'air a été conçue pour les applications où il est impossible d'installer un conduit d'aération. Lorsque transformée, la hotte fonctionne comme une hotte de recirculation d'air plutôt que comme un système d'évacuation d'air. Les vapeurs et fumées de cuisson sont aspirées et filtrées par un ensemble optionnel de filtres à charbon. L'air est ensuite purifié et redirigé à l'intérieur de la maison.

Nous recommandons de TOUJOURS évacuer l'air à l'extérieur de la maison en utilisant le conduit en place ou, s'il y a possibilité, en installant un nouveau conduit. La hotte est plus efficace lorsqu'utilisée comme système d'évacuation d'air. Vous ne devriez recourir à la configuration de recirculation d'air que lorsqu'il est impossible d'installer un conduit d'aération.

Lorsque la hotte est convertie avec la trousse de recirculation d'air, un filtre à charbon doit être installé sur le filtre à tamis décoratif. Commandez-le en vous référant au numéro de pièce ci-dessous. Le filtre à tamis décoratif est conçu pour capter les résidus de cuisson et le filtre à charbon optionnel aide à la purification des vapeurs et fumées de la cuisson lors de recirculation de l'air.

TROUSSE DE RECIRCULATION D'AIR (REQUIS SI AUCUN CONDUIT N'ÉVACUE L'AIR À L'EXTÉRIEUR)

La trousse comprend un filtre à charbon, des supports et un évent de retour d'air.

Modèle de hotte	Numéro de pièce	Filtres par paquet
ZPI	ZRC-00PI	1

1. Procurez-vous la trousse de recirculation d'air en utilisant le numéro de pièce ci-dessus.
2. Retirez le filtre à tamis décoratif de la hotte et installez le filtre à charbon sur le filtre à tamis. Fixez le filtre à charbon en place à l'aide de quatre attaches en C, fournies avec la trousse de recirculation d'air ZRC-00PI, soit deux attaches par côté long du filtre à charbon. Fig. 12
3. Réinstallez le filtre à tamis décoratif.
4. Pour assurer une recirculation adéquate de l'air, un évent de retour d'air doit être installé pour permettre à l'air recyclé de retourner dans la cuisine, Fig. 11. Le conduit doit aller du ventilateur à l'évent de retour d'air. L'évent de retour d'air peut être installé sur le dessus de l'armoire ou dans le plafond ou vide sanitaire.
5. Le filtre à charbon doit être remplacé après 120 heures d'utilisation (ou approximativement tous les 3-4 mois à raison de 1-2 heures d'utilisation quotidienne).

Remplacement du filtre à charbon

Modèle de hotte	Numéro de pièce	Quantité à commander
ZPI	ZRC-00PI	1

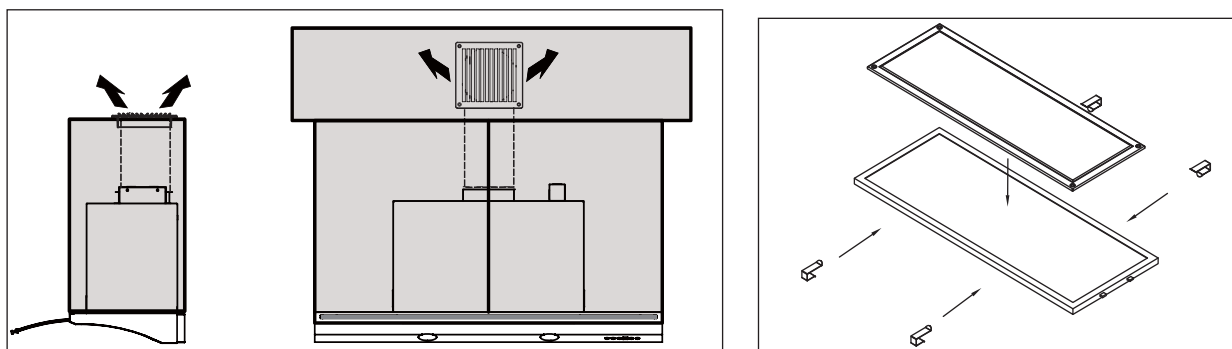
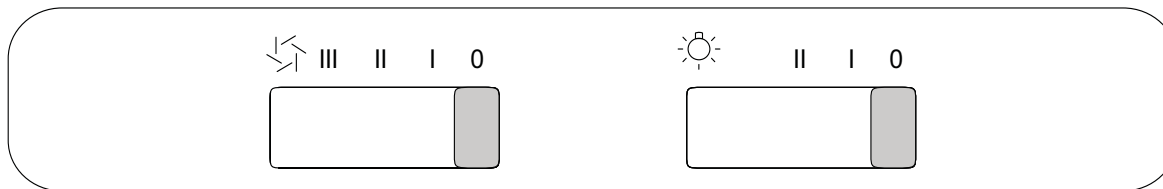


FIG.11

- ❶ Ventilateur : Marche/Arrêt Choix de vitesse ❷ Allumées/Veilleuse/Éteintes



❶ VENTILATEUR : MARCHE/ARRÊT CHOIX DE VITESSE

À 0, le ventilateur est éteint, à I il est à basse vitesse, à II il est à la vitesse moyenne et à III il est à la vitesse élevée.

❷ LUMIÈRES : NORMAL/VEILLEUSE/ARRÊT

À 0, les lumières sont éteintes, à I elles sont en mode veilleuse et à II elles sont à forte intensité.

NOTE: Le ventilateur et les lumières s'éteignent automatiquement lorsque le pavillon de verre est en position fermée et se rallument lorsqu'il est en position ouverte. Le ventilateur et les lumières ne fonctionnent pas lorsque le pavillon de verre est en position fermée.

ENTRETIEN DES SURFACES

Nettoyez régulièrement les surfaces de la hotte avec de l'eau savonneuse chaude et un chiffon de coton propre. N'utilisez pas de détergent abrasif ou corrosif, de laines d'acier ou de tampons à récurer; ils égratigneront et endommageront les surfaces.

Pour les taches plus tenaces, utilisez du produit dégraissant liquide.

Après le nettoyage, vous pouvez polir les surfaces avec des produits de polissage à acier inoxydable non abrasifs pour redonner de l'éclat et du lustre aux surfaces. Frottez toujours doucement, avec un chiffon de coton propre, et dans le sens du grain.

N'utilisez pas de produits à blanchir au chlore ou d'agents nettoyants « orange ».

Filtre à tamis décoratif

Le filtre à tamis décoratif qu'installe le fabricant a pour fonction de filtrer les résidus et la graisse de cuisson. Ils ne nécessitent aucun remplacement sur une base régulière, mais doivent être gardés propres.

Enlevez-le et nettoyez-le à la main ou au lave-vaisselle avec de l'eau tiède. Vaporisez avec du détergent pour graisse et laissez tremper pour éliminer la saleté accumulée.

Séchez le filtre et réinstallez-le avant d'utiliser la hotte.

Remplacement du filtre à tamis

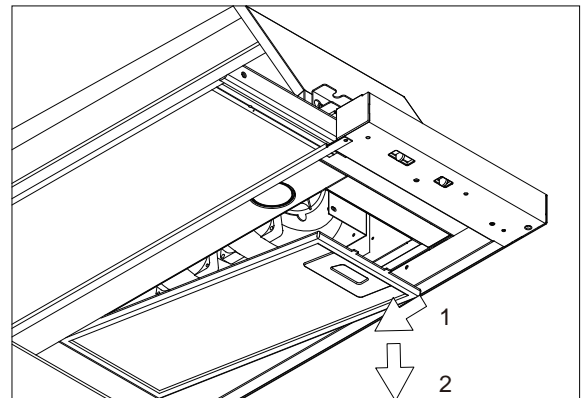
Si le filtre s'use en raison de son âge ou d'une utilisation prolongée, remplacez-le par la pièce suivante :

Modèle de hotte	Numéro de pièce	Quantité à commander
ZPI	50200054	1

Remplacement tout filtre endommagé dont le tamis est percé ou brisé ou dont le cadre est endommagé.

Pour enlever le filtre à tamis décoratif :

1. Pousser dans la bascule de filtre.
2. Tirez le filtre vers le bas et enlevez-le de la hotte.



REPLACEMENT DES AMPOULES

ATTENTION : Les ampoules deviennent extrêmement chaudes lorsqu'allumées.

Veillez NE PAS les toucher avant de les avoir éteintes et laissées refroidir. Le contact avec les ampoules chaudes pourrait causer de sérieuses brûlures.

Assurez-vous que l'alimentation électrique est coupée et que les ampoules ne sont pas chaudes.

Enlevez les ampoules en les dévissant dans le sens contraire des aiguilles d'une montre. Note : les ampoules ne se dévissent pas; après une rotation de 60 degrés, elles s'arrêtent et tombent de la douille.

Lorsqu'il est difficile de retirer les ampoules après un usage prolongé, fixez une ventouse correspondant plus ou moins à la taille de l'ampoule ou utilisez des gants en latex ou en caoutchouc et tournez dans le sens inverse des aiguilles d'une montre.

Les ampoules de remplacement sont disponibles dans les magasins spécialisés en éclairage. Procurez-vous des ampoules halogènes GU-10 50W (MR16).

Consultez la page 20 du présent guide pour obtenir les numéros de pièces Zephyr.

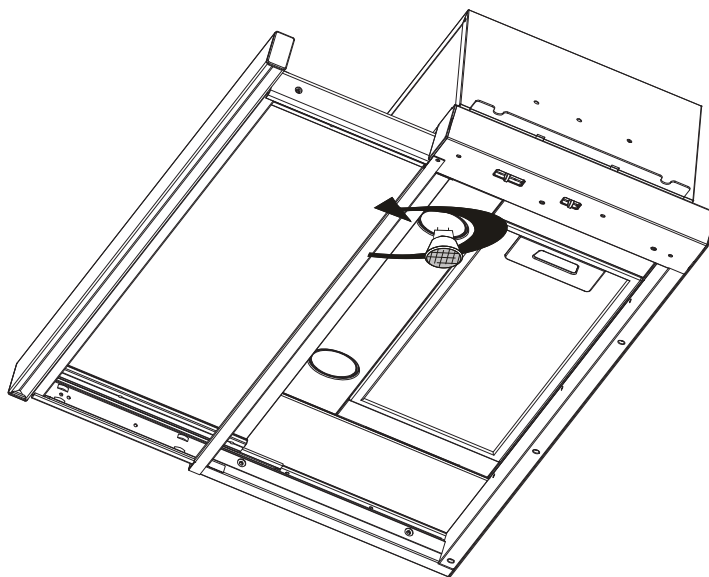
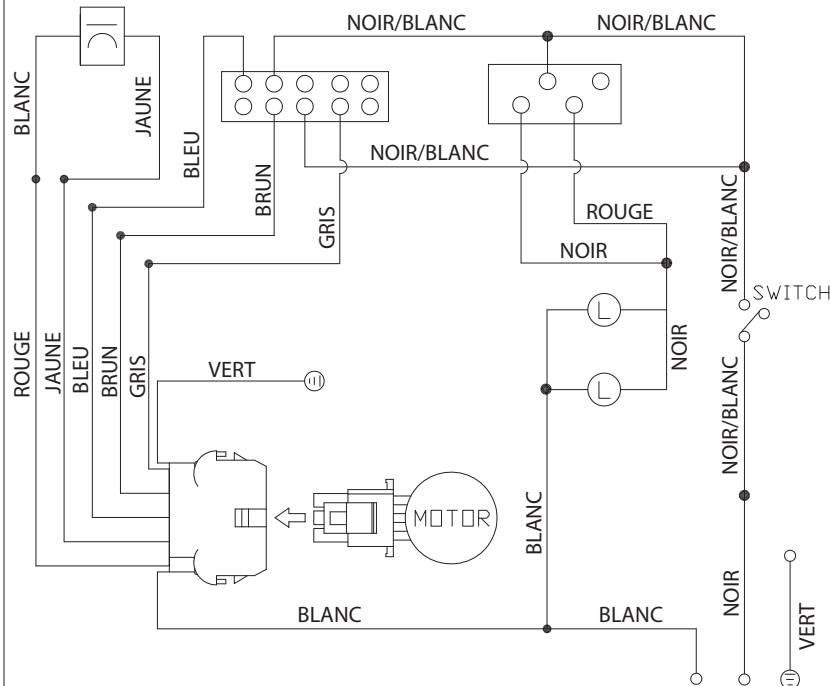


Schéma de câblage

Modèle	VOLTS	HZ	MAX AMPS
ZPI-EXXX-290	120	60	2
ZPI-EXXX			3.3

SCHEMA DE CIRCUITS



ZPI-EXXX-290: CONDENSER 3uF 250 VAC FIT AC120V 60Hz
 ZPI-EXXX: CONDENSER 20uF 250 VAC FIT AC120V 60Hz

PROCÉDURES DE DÉPANNAGE POUR LA HOTTE ZPI

Problème	Cause	Solution
Après l'installation, l'appareil ne fonctionne pas.	1. Le bloc d'alimentation n'est pas allumé	1. Assurez-vous que l'alimentation du disjoncteur et de l'appareil est allumée
	2. La ligne électrique et le raccord de câble ne sont pas correctement branchés	2. Vérifiez que le branchement de l'appareil a été fait correctement
	3. Le pavillon de verre est fermé	3. Le pavillon de verre doit être ouvert pour que les lumières et le ventilateur puissent fonctionner
	4. Les fils électriques du tableau de contrôle et de commande sont débranchés	4. Assurez-vous que les fils électriques entre les tableaux de contrôle et de commande sont branchés convenablement
	5. Tableau de contrôle/commande défectueux	5. Remplacez le tableau de contrôle/commande
Les lumières fonctionnent, mais le moteur ne tourne pas.	1. Le moteur est défectueux, possiblement bloqué	1. Remplacez le moteur
	2. Le système de protection thermique détecte que le moteur est trop chaud pour fonctionner et l'éteint.	2. Le moteur fonctionnera normalement lorsque le système de protection thermique aura refroidi
	3. Le condensateur est endommagé	3. Remplacez le condensateur
	4. Le câble du ventilateur n'est pas branché	4. Assurez-vous que le câble du ventilateur est branché au connecteur Molex
L'appareil vibre.	1. Le moteur n'est pas bien fixé en place	1. Fixez solidement le moteur en place
	2. La roue du ventilateur est endommagée	2. Remplacez le ventilateur
	3. La hotte n'est pas bien fixée en place	3. Vérifiez l'installation de la hotte
Le moteur fonctionne, mais pas les lumières.	1. L'ampoule halogène est défectueuse	1. Remplacez l'ampoule halogène
	2. L'ampoule est desserrée	2. Serrez l'ampoule
	3. Les câbles de la douille de l'ampoule sont débranchés	3. Vérifiez le branchement des câbles de la douille
La hotte ne fonctionne pas bien.	1. La hotte est possiblement installée trop haut par rapport à la cuisinière	1. Ajustez la distance entre la surface de la cuisinière et la base de la hotte entre 24 po et 32 po
	2. Du vent provenant d'une fenêtre ou d'une porte ouverte avoisinante nuit à la ventilation	2. Fermez toutes les portes et fenêtres pour éliminer les courants d'air
	3. L'ouverture du conduit ou le conduit lui-même est bloqué	3. Enlevez tout ce qui bloque l'ouverture ou le conduit d'aération
	4. L'ouverture du conduit est contre le vent	4. Ajustez l'orientation de l'ouverture du conduit
	5. Mauvaises dimensions de conduit d'aération	5. Remplacez le conduit par un conduit adéquat
Le filtre en métal vibre.	1. Le filtre en métal est desserré	1. Assurez-vous que les attaches métalliques de la poignée ne sont pas bloquées. Ou remplacez le filtre à tamis.
	2. Le ressort de la poignée ne fonctionne pas bien	2. Ajustez la poignée jusqu'à ce que le ressort fonctionne bien

Listes des pièces et des accessoires

DESCRIPTION

N° DE PIÈCE

Pièces de remplacement

Ampoule GU10 50W (chaque)
Filtre à tamis en aluminium

Z0B0020
50200054

Accessoires optionnels

Trousse de recirculation d'air
Filtre à charbon de remplacement (chaque)
Ampoule GU10 LED (chaque)

ZRC-00PI
Z0F-C0PI
Z0B0040

Pour commander des pièces, visitez notre site Web au <http://www.zephyronline.com> ou communiquez avec nous par téléphone au 1-888-880-8368

ZEPHYR
Garantie limitée

AGRAFEZ VOTRE REÇU ICI

Une preuve de la date d'achat originale est nécessaire pour obtenir du service lorsque le produit est sous garantie

POUR OBTENIR DU SERVICE SOUS GARANTIE OU POUR TOUTE QUESTION LIÉE À L'ENTRETIEN, veuillez communiquer avec nous au 1-888-880-8368

Zephyr Ventilation, LLC (désigné aux présentes sous le nom de « nous ») garantit au premier acheteur (désigné aux présentes sous le nom de « vous » ou « votre ») de produits Zephyr (les « Produits ») que lesdits produits sont exempts de défauts de fabrication ou de main-d'œuvre selon les conditions suivantes :

Garantie de trois ans sur les pièces : Garantie de trois ans à partir de la date d'achat originale du Produit. Nous fournirons sans frais les Produits ou les pièces (y compris les ampoules LED, le cas échéant) de remplacement qui comportaient des défauts de fabrication. Nous pourrions choisir, à notre seule discrétion, de réparer ou de remplacer des pièces avant de prendre la décision de remplacer le Produit.

Garantie limitée d'un an sur la main-d'œuvre : Garantie d'un an à partir de la date d'achat originale du Produit. Nous couvrirons sans frais les frais de main-d'œuvre afférents à la réparation du Produit ou des pièces de remplacement qui comportaient des défauts de fabrication. Un an après la date d'achat originale, vous serez responsable de tous les frais de main-d'œuvre associés à la présente garantie.

Exclusions de la garantie : Cette garantie ne couvre que la réparation ou le remplacement, à notre gré, de pièces ou de Produits défectueux et ne couvre aucun autre coût afférent aux Produits, dont, sans s'y limiter, les frais liés : (a) à l'entretien normal des Produits et au remplacement des pièces consommables, comme les fluorescent, incandescence ou halogèneampoules, les filtres métalliques, les filtres à charbon et les fusibles; (b) à tout Produit ou pièce ayant été endommagé durant le transport ou étant le résultat d'un mauvais usage, d'une négligence, d'un accident, d'une installation incorrecte ou ne respectant pas les notices d'installation recommandées, d'un entretien ou d'une réparation inapproprié (dont ne nous sommes pas responsables); (c) à une utilisation commerciale ou ne correspondant pas à l'utilisation pour laquelle les Produits sont conçus; (d) à l'usure naturelle du fini, à l'usure due à un entretien inadéquat, à l'utilisation de produits nettoyants corrosifs ou abrasifs, de tampons nettoyeurs et de produits de nettoyage pour le four; (e) aux éclats, entailles ou fissures résultant d'un abus ou d'une mauvaise utilisation du Produit; (f) aux déplacement d'un technicien de service à votre domicile pour vous montrer comment utiliser les Produits; (g) aux dommages causés par un accident, un incendie, une inondation, un cas fortuit; ou (h) Les installations personnalisées ou modifications qui ont un impact maintenabilité du Produit. Si vous vous trouvez à l'extérieur du territoire que nous desservons, des frais supplémentaires pourraient s'appliquer pour la livraison des produits à nos points de service désignés pour une réparation sous garantie ou vous pourriez avoir à déboursier les frais de déplacement du technicien à votre domicile pour que le Produit soit réparé, enlevé ou réinstallé. Un an après la date d'achat originale du Produit, vous êtes également responsable de tous les frais de main-d'œuvre associés à la présente garantie.

Restrictions de la garantie. NOTRE OBLIGATION DE RÉPARER OU DE REMPLACER, À NOTRE GRÉ, LE PRODUIT CONSTITUE VOTRE SEUL ET UNIQUE RECOURS SOUS LA PRÉSENTE GARANTIE. NOUS NE NOUS PORTONS PAS RESPONSABLES POUR TOUT DOMMAGE INDIRECT, ACCESSOIRE OU PARTICULIER RÉSULTANT OU AYANT UN LIEN AVEC L'UTILISATION OU LE RENDEMENT DES PRODUITS. LES GARANTIES EXPRESSES DE LA SECTION PRÉCÉDENTE SONT EXCLUSIVES ET TIENNENT LIEU DE TOUTE AUTRE GARANTIE EXPRESSE. PAR LES PRÉSENTES, NOUS REJETONS ET EXCLUONS TOUTE AUTRE GARANTIE EXPRESSE POUR LES PRODUITS ET TOUTES LES GARANTIES TACITES PRÉVUES PAR LA LOI, DONT CELLES RELATIVES À LA QUALITÉ MARCHANDE OU À L'ADÉQUATION DU PRODUIT POUR UNE UTILISATION PARTICULIÈRE. Certains États ou provinces n'autorisent pas les restrictions sur la durée d'une garantie implicite ou l'exclusion ou la restriction des dommages indirects ou accessoires; par conséquent, les exclusions et restrictions mentionnées ci-dessus pourraient ne pas s'appliquer à votre cas. Dans la mesure où une loi applicable interdit l'exclusion de garanties implicites, la durée de toute garantie implicite applicable se limite à la période de deux ans décrite ci-dessus. L'unique objectif de toute description orale ou écrite est de présenter les Produits et celle-ci ne devrait pas être interprétée comme une garantie expresse. Avant d'utiliser ou de permettre l'utilisation des Produits, vous devez déterminer si les Produits conviennent aux utilisations prévues et vous devez assumer tout risque et toute responsabilité relatifs à ces utilisations. Nous nous réservons le droit d'utiliser des pièces reconstruites ou remises à neuf pour remplacer l'une des fonctionnalités dans le cadre de la présente garantie ou de l'une des parties de la présente garantie. L'acheteur original ne peut transférer la présente garantie et celle-ci n'est valide qu'aux États-Unis et au Canada.

Pour obtenir du service sous la garantie : Pour avoir droit à du service sous garantie, vous devez : (a) nous avertir en utilisant l'adresse ou le numéro de téléphone inscrit ci-dessous dans les soixante jours suivant la détection du défaut; (b) donner le numéro du modèle, le numéro d'identification de la pièce ainsi que le numéro de série; et (c) décrire la nature de tout défaut de la pièce ou du Produit. Au moment de faire la demande de service sous garantie, vous devez présenter votre preuve d'achat et la preuve de la date d'achat originale. Si nous déterminons que les exclusions de la garantie énumérées ci-dessus s'appliquent ou si vous vous trouvez dans l'incapacité de nous fournir la documentation nécessaire pour obtenir du service, vous serez responsable de tous les frais d'expédition, de déplacement, de main-d'œuvre ou de tout autre coût afférent au service.

Veuillez consulter notre site Web au www.zephyronline.com pour savoir si des révisions ont été apportées à la garantie.

Zephyr Ventilation Service Department, 2277 Harbor Bay Parkway, Alameda, CA 94502 1-888-880-8368

AUG14.0401

Garrantie

ENREGISTRMENT DU PRODUIT

Nous vous félicitons d'avoir acheté une hotte Zephyr. Veuillez prendre un moment pour enregistrer votre nouvelle hotte au www.zephyronline.com/registration

C'EST IMPORTANT

Cet enregistrement rapide est utile à bien des égards.

- Il assure la couverture de votre garantie si vous avez besoin de service après-vente.
- À des fins d'assurance, il permet de confirmer que vous êtes le propriétaire.
- Il vous permet de recevoir des avis concernant des modifications ou des rappels de produits.



Zephyr Ventilation | 2277 Harbor Bay Pkwy. | Alameda, CA 94502 | 1.888.880.8368