

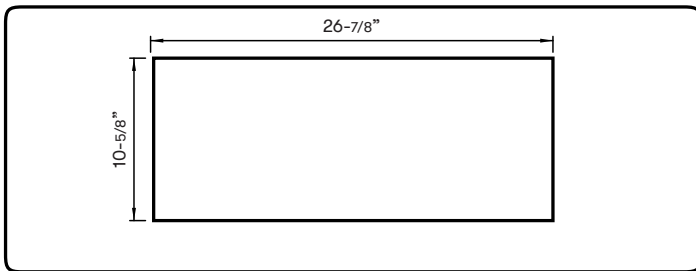
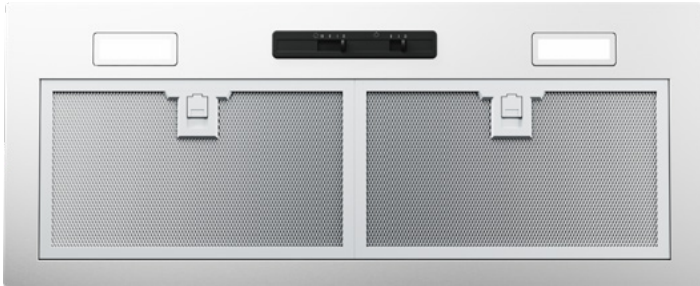
CORE

TWISTER

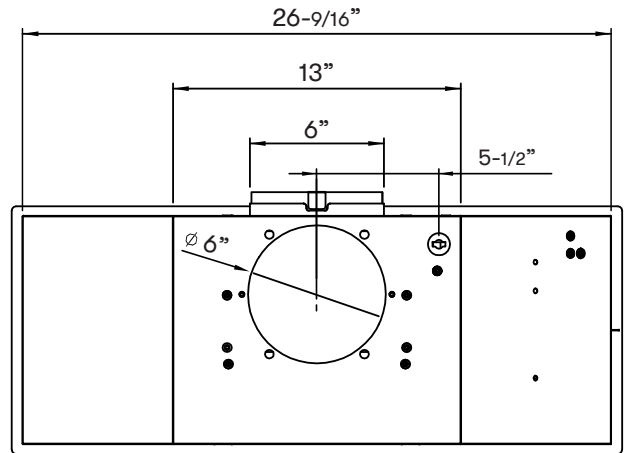
INSERT

ZEPHYR

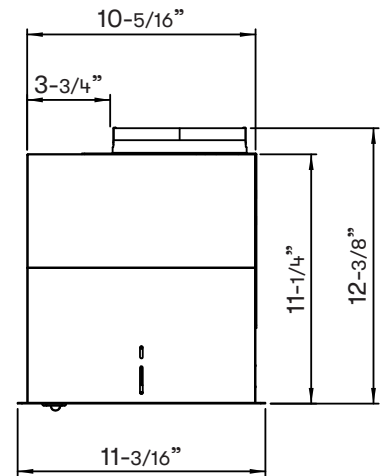
ZEPHYRONLINE.COM



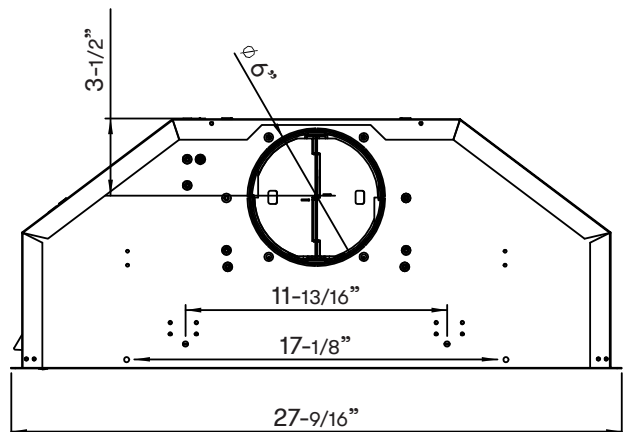
Cabinet Bottom Cut-Out Size (W x D): 26-7/8" x 10-5/8"



TOP



SIDE



BACK

MODEL

| | |
|-----------------|----------------|
| Stainless Steel | AK8000CS |
| Size | 28" (27-9/16") |

BLOWER PERFORMANCE

| | |
|--------------------------|-----------|
| Blower CFM (Min. - Max.) | 210 - 400 |
| Sones (Min. - Max.) | 2 - 5 |

FEATURES

| | |
|----------------------|----------------------|
| Controls | Mechanical Slide |
| Speed Levels | 3 |
| Lighting | LumiLight LED, 6W x2 |
| Dual-Level Lighting | Yes |
| Filters | Aluminum Mesh x2 |
| Recirculating Option | Yes |

DUCT SPECIFICATIONS

| | |
|----------------------------|-----------------------|
| Vertical Internal Blower | 6" Round |
| Horizontal Internal Blower | 6" Round |
| AC POWER | 120V, 60Hz at Max. 3A |

OPTIONAL ACCESSORIES

| | |
|-------------------------------------|----------|
| 30" Liner (17-1/2" - 20-1/2" Depth) | AK0800AS |
| 36" Liner (17-1/2" - 20-1/2" Depth) | AK0836AS |
| Recirculating Kit | ZRC-0080 |

MOUNTING HEIGHT RANGE**

| | |
|--------------------------|-----------|
| Electric Cooking Surface | 20" - 36" |
| Gas Cooking Surface | 24" - 36" |

| | |
|-----------------|------------------------------|
| WARRANTY | 10 years parts, 1 year labor |
|-----------------|------------------------------|

**Mounting height refers to distance between top of a 36" tall cooking surface and bottom of hood.