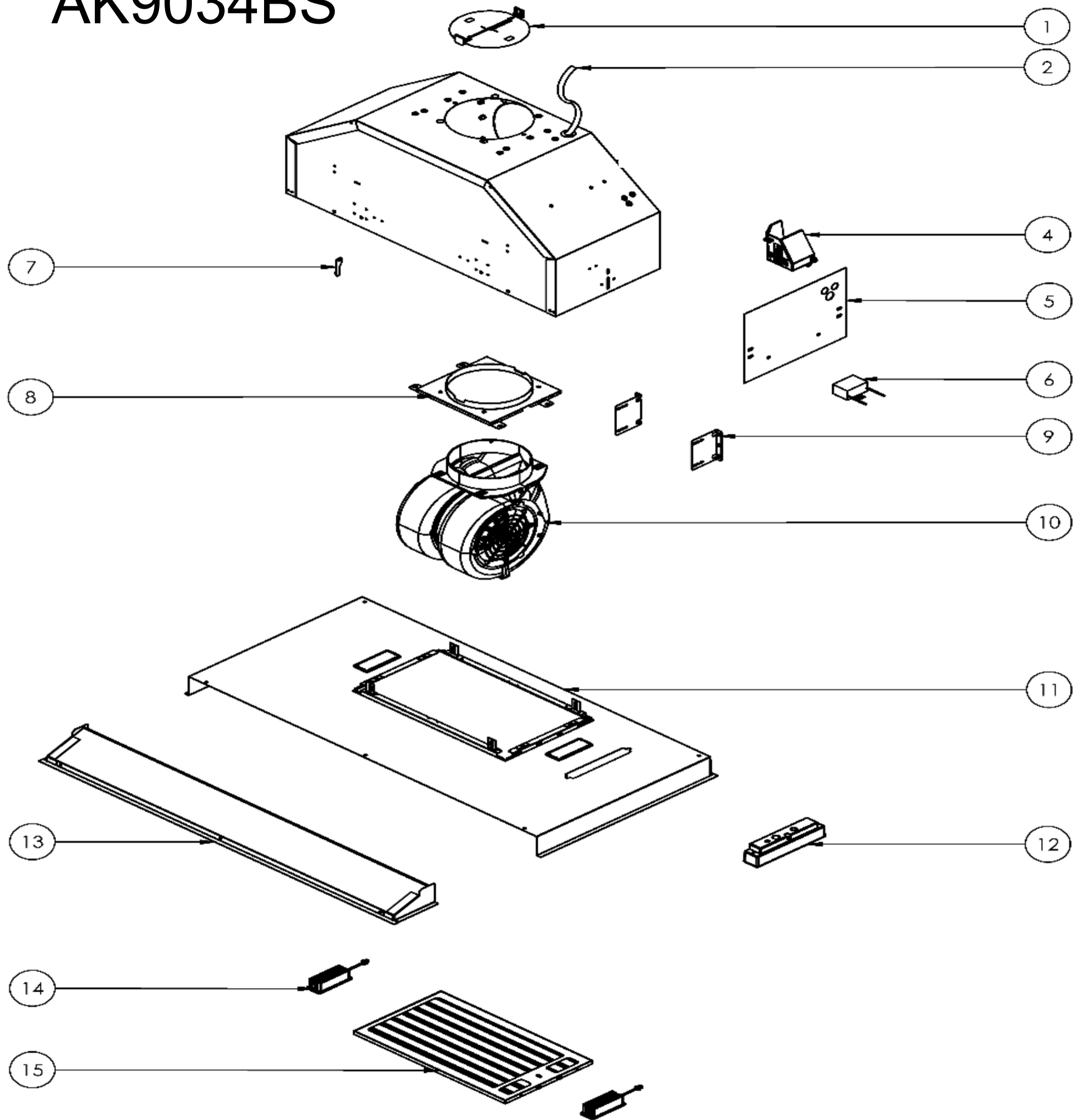


AK9028BS AK9034BS



AK9028BS, AK9034BS

Ref #	Part #	Description	Qty.
1	54060007	Damper, 6"	1
2	11030015	Electrical Wire	1
4	54200012	Electrical Junction Box	1
5	50140189	Internal Panel	1
6	12050015	Capacitor	1
7	54150007	Mounting Clip	1
8	54140312	Blower Bracket	1
9	54140076	Blower Side Brackets	2
10	12120069	Blower	1
11	50130178	Bottom Panel (AK9028BS)	1
11	50130179	Bottom Panel (AK9034BS)	1
12	11000091	Switch Assembly	1
13	50140097	Front Panel (AK9028BS)	1
13	50140098	Front Panel (AK9034BS)	1
14	Z0B0050	LumiLight LED, 6W	2
15	50210030	Hybrid Baffle Filter	1
16	05000162	Hardware Packet	1