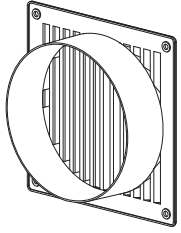


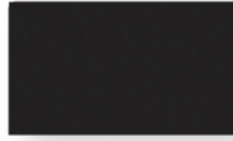
THIS KIT INCLUDES:



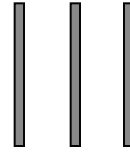
(1) return air vent



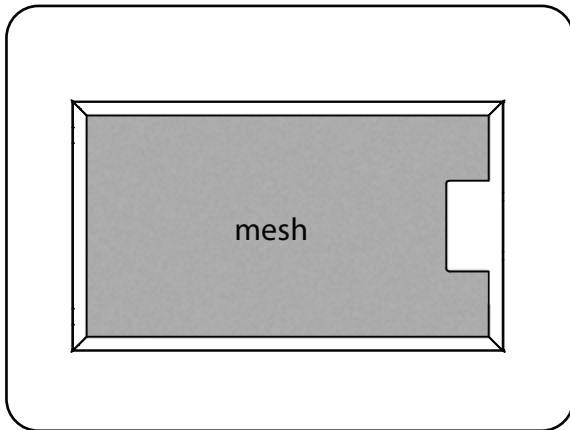
(4) return air vent screws



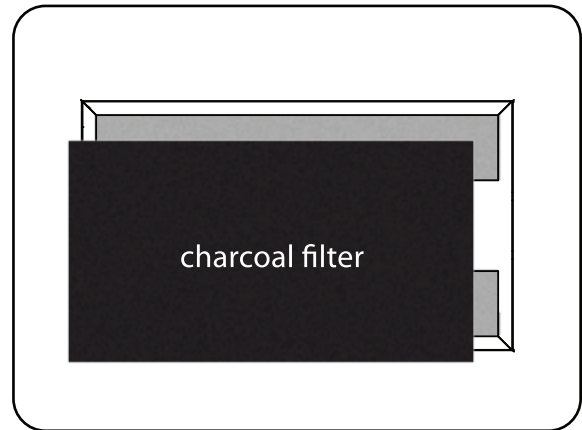
(1) charcoal filter



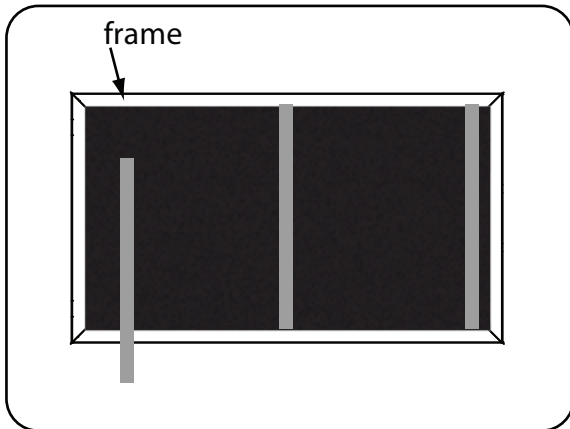
(3) charcoal filter brackets.



1. Remove baffle filter from insert and position it back-side up so the mesh is visible.



2. Place charcoal filter on back-side of baffle filter so it fully covers the mesh.



3. Place filter brackets over charcoal filter and secure in place by tucking each end of the bracket under the baffle filter frame. Re-install baffle filter into insert.

WARNING: Charcoal filter is not meant to be washed and must be replaced after 3 - 4 months of use. Replacement Part: Z0F-C090

Turn to next page for instructions on installing return air vent.

NOTE: Take care when installing the filter brackets as they may have sharp edges

OPTION 1:

Install return air vent to top of the cabinet:

(for installations where cabinet does not extend to the ceiling)

1. Cut a 6-1/2" round opening in top of the cabinet where the ducting will connect to the return air vent. **FIG.1**
2. Connect 6" round ducting from AK9028AS/AK9034AS to return air vent collar. Return air vent collar will go around the ducting. Secure with duct tape.
3. Secure return air vent to top of cabinet with (4) screws.

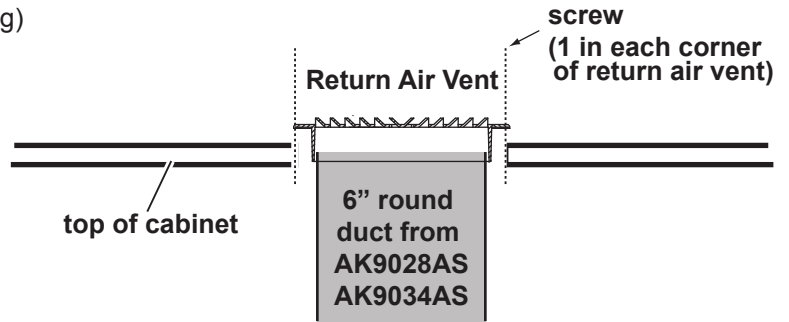


FIG.1

OPTION 2:

Install return air vent to a soffit or ceiling:

(for installations where top of cabinet is flush with the ceiling)

1. Cut a 6-1/2" round opening in soffit or ceiling where the ducting will connect to the return air vent. **FIG.2**
2. Connect 6" round ducting from AK9028AS/AK9034AS return air vent collar. Return air vent collar will go around the ducting. Secure with duct tape.
3. Secure return air vent to soffit or ceiling with (4) screws.

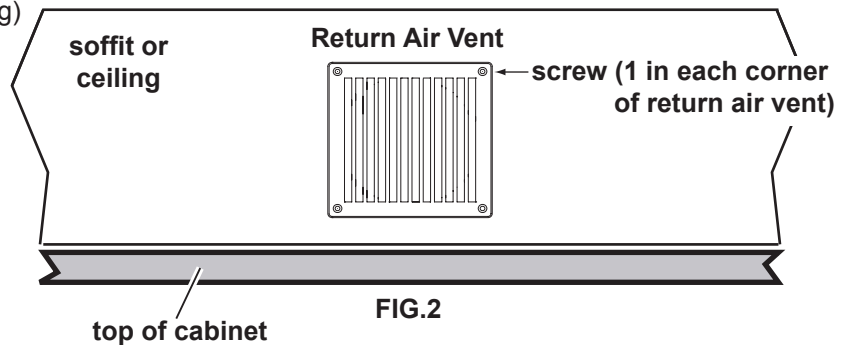


FIG.2

Note: Return air vent deflectors should face the sides to properly direct the air. **FIG.3**

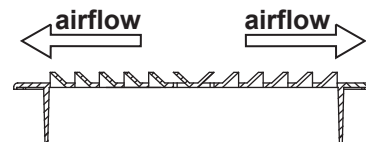


FIG.3