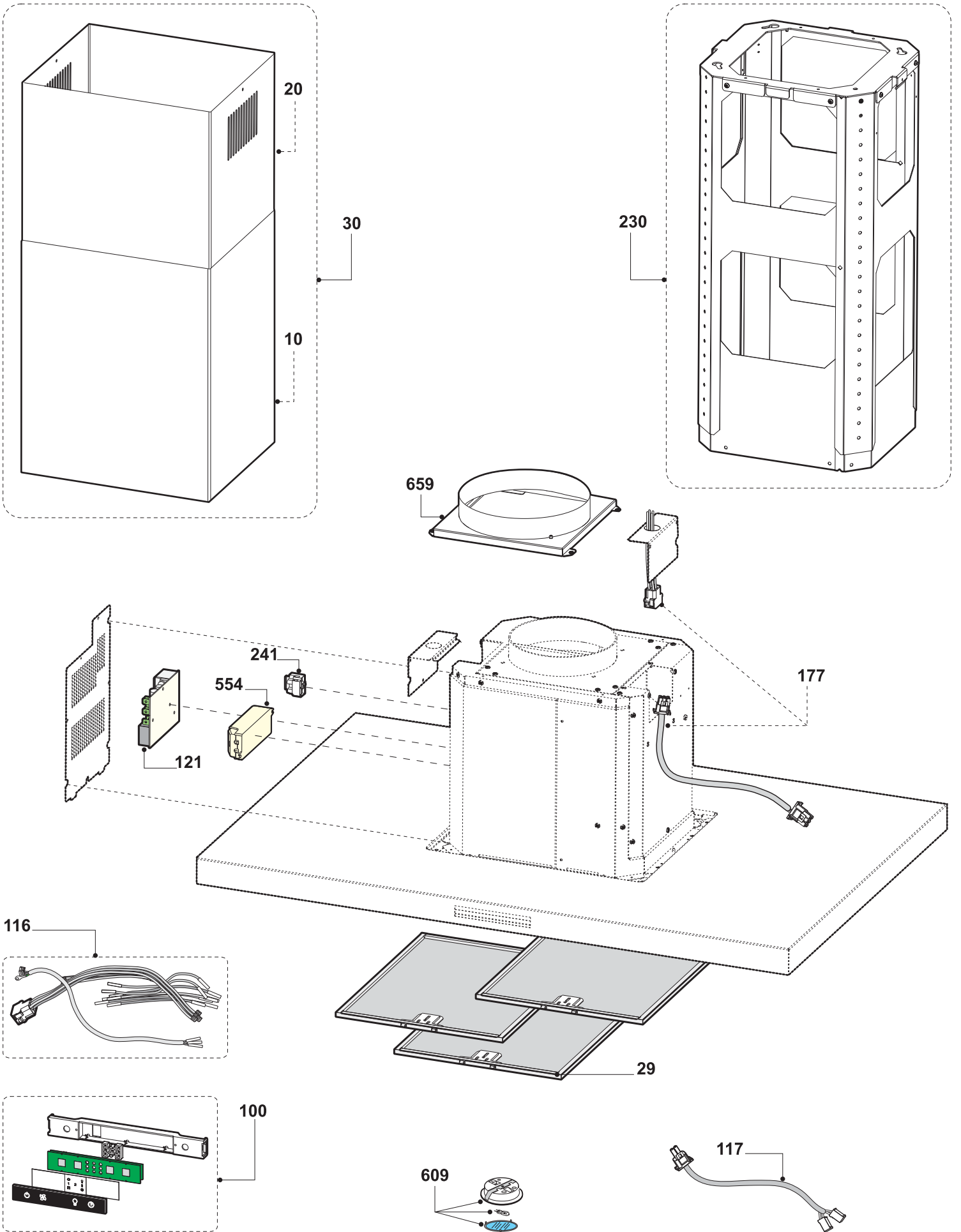


Duo Island





Duo Island

ADL-M90ASX, ADL-E42ASX

Ref #	Zephyr #	Description	Per Hood
10	50050065	Duct Cover, Lower	1
20	50050066	Duct Cover, Upper	1
29	50200031	Filter, Metal Mesh	3
30	50500059	Duct Cover Set	1
110	11000047	Switch Assembly	1
116	11030048	Internal Wiring	1
117	11030049	Light Cables	1
121	11010037	Control Board	1
177	11030050	Remote Blower Wiring and Box	1
201	50110076	Light Panel	2
230	54110053	Support Frame	1
241	12170001	Fuse and Fuse Box	1
321	05000062	Hardware Packet	1
554	12110015	Transformer	1
609	50500060	Halogen Light Assembly	4
609-1	Z0B-0013	Halogen Bulb, G4, 20w	4
659	54050068	Motor Flange	1

DEC08.0101