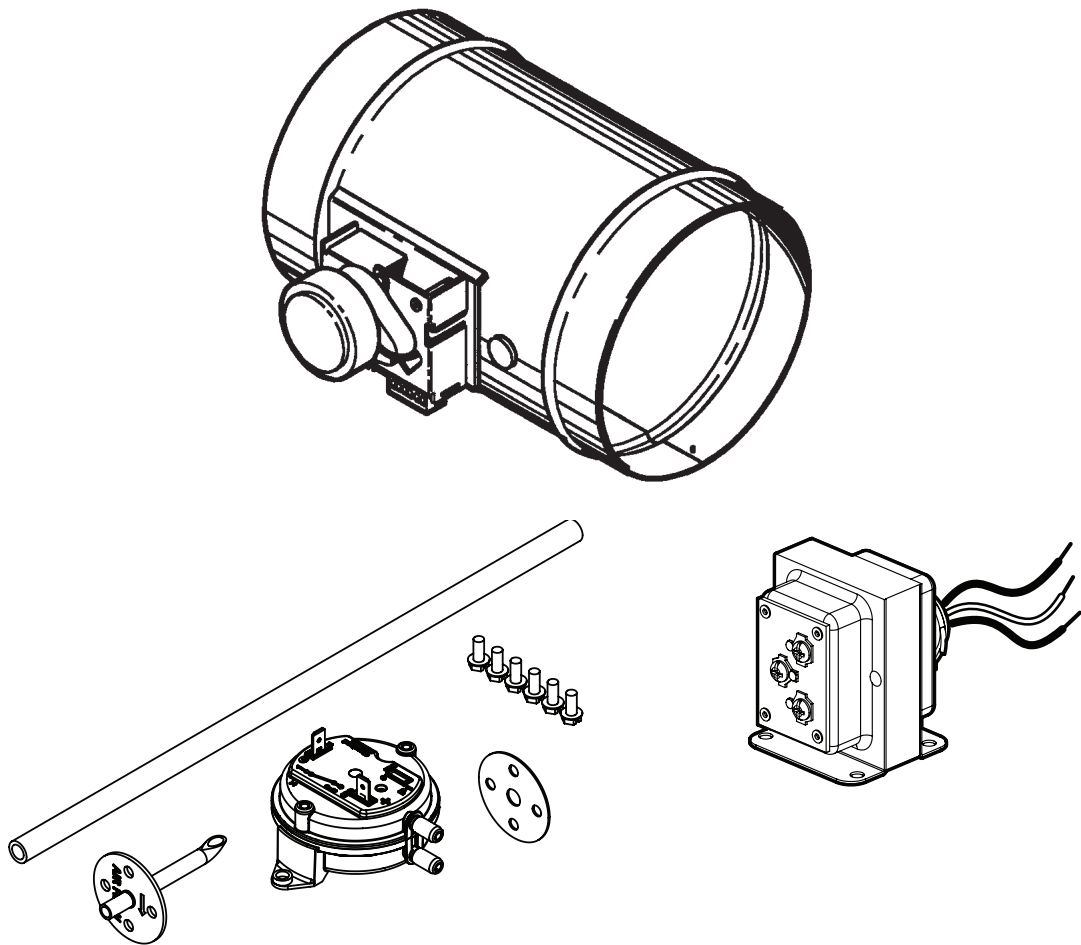


Use, Care, and Installation Guide

Universal Make-Up Air Damper

MUA006A
MUA008A
MUA010A



AUTOMATIC MAKE-UP AIR DAMPER WITH TRANSFORMER & PRESSURE SWITCH

READ AND SAVE THESE INSTRUCTIONS

FOR RESIDENTIAL USE ONLY

WARNING



TO REDUCE THE RISK OF FIRE, ELECTRIC SHOCK, OR INJURY TO PERSONS, OBSERVE THE FOLLOWING:

1. Installation work and electrical wiring must be done by a qualified person(s) in accordance with all applicable codes and standards, including fire-rated construction codes and standards.
2. This unit is not designed to provide combustion air for fuel-burning appliances.
3. Do not connect the unit directly to a combustion appliance of any type.
4. Sufficient air is needed for proper combustion and exhausting of gases through the flue (chimney) of fuel burning equipment to prevent backdrafting. Follow the heating equipment manufacturer's guideline and safety standards such as those published by the National Fire Protection Association (NFPA), and the American Society for Heating, Refrigeration and Air Conditioning Engineers (ASHRAE), and the local code authorities.
5. Before servicing or cleaning unit, switch power off at service panel and lock the service disconnecting means to prevent power from being switched on accidentally. When the service disconnecting means cannot be locked, securely fasten a prominent warning device, such as a tag, to the service panel.
6. When performing installation, servicing or cleaning the unit, it is recommended to wear safety glasses and gloves.
7. During extreme weather events including snow storms, ensure that the intake area for the outside air duct is not blocked and able to provide a clear pathway for outside air to enter the system.
8. When cutting or drilling into wall or ceiling, do not damage electrical wiring or other hidden utilities.
9. When notching or drilling into framing including floor supports, rim joists, and wall studs, comply with code and manufacturer limitations on allowable modifications to these structural members.
10. This unit is intended to be installed within the home in a location protected from moisture.
11. This unit must be in an accessible location which allows for inspection of the unit.
12. Use this unit only in the manner intended by the manufacturer. If you have questions, contact the manufacturer at the address or telephone number listed in this document.
13. When federal, provincial or state legislation comprises more restrictive installation and/or certification requirements, the aforementioned requirements prevail on those of this document and the installer agrees to conform to these at his own expense.

CAUTION



1. Do not locate outside air inlet near hazardous materials or explosives.
2. Unit shall not be installed to introduce air from crawlspaces, garages, attics, adjacent dwelling units, or other locations within the building shell. Unit shall be installed to introduce air directly from outdoors.
3. Do not run the outside air duct directly above or closer than 2 ft to any furnace or its supply plenum, boiler, or other heat producing appliance.
4. Any ductwork used in conjunction with the Damper must be installed in compliance with all local and national codes that are applicable.
5. Do not operate the Damper for fresh air introduction until all system filters, including the central duct system filter, have been installed per the system design.
6. Please read the unit specification label on the product for further information and requirements.
7. The Damper's outdoor air intake, ducting, and any filters should be inspected and maintained on a regular basis.
8. Insulate the duct and damper to prevent build-up of condensation in cold weather climates. Vapor barriers on both sides of insulation are recommended.

WARRANTY

ZEPHYR ONE YEAR LIMITED WARRANTY

ZEPHYR warrants to the original consumer purchaser of its products that such products will be free from defects in materials or workmanship for a period of one year from the date of original purchase. THERE ARE NO OTHER WARRANTIES, EXPRESS OR IMPLIED, INCLUDING, BUT NOT LIMITED TO, IMPLIED WARRANTIES OF MERCHANTABILITY OR FITNESS FOR A PARTICULAR PURPOSE.

During this one-year period, ZEPHYR will, at its option, repair or replace, without charge, any product or part which is found to be defective under normal use and service.

THIS WARRANTY DOES NOT EXTEND TO FLUORESCENT LAMP STARTERS, TUBES, HALOGEN AND INCANDESCENT BULBS, FUSES, FILTERS, DUCTS, ROOF CAPS, WALL CAPS AND OTHER ACCESSORIES FOR DUCTING. This warranty does not cover (a) normal maintenance and service or (b) any products or parts which have been subject to misuse, negligence, accident, improper maintenance or repair (other than by ZEPHYR), faulty installation or installation contrary to recommended installation instructions.

The duration of any implied warranty is limited to the one-year period as specified for the express warranty. Some states do not allow limitation on how long an implied warranty lasts, so the above limitation may not apply to you.

ZEPHYR'S OBLIGATION TO REPAIR OR REPLACE, AT ZEPHYR'S OPTION, SHALL BE THE PURCHASER'S SOLE AND EXCLUSIVE REMEDY UNDER THIS WARRANTY. ZEPHYR SHALL NOT BE LIABLE FOR INCIDENTAL, CONSEQUENTIAL OR SPECIAL DAMAGES ARISING OUT OF OR IN CONNECTION WITH PRODUCT USE OR PERFORMANCE. Some states do not allow the exclusion or limitation of incidental or consequential damages, so the above limitation or exclusion may not apply to you.

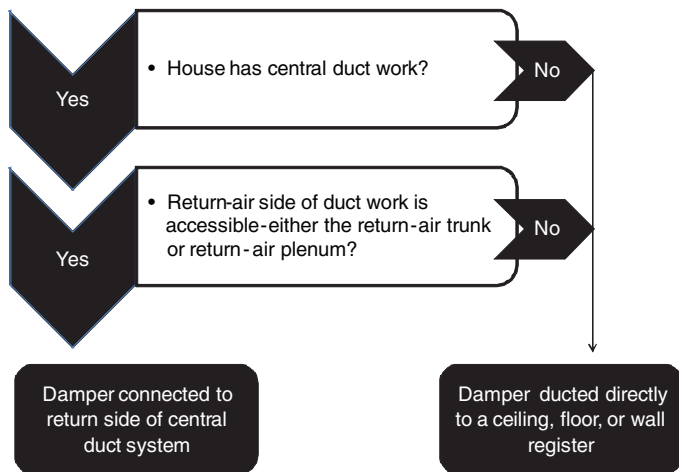
This warranty gives you specific legal rights, and you may also have other rights, which vary from state to state. This warranty supersedes all prior warranties.

To qualify for warranty service, you must (a) notify ZEPHYR at the address or telephone number below, (b) give the model number and part identification and (c) describe the nature of any defect in the product or part. At the time of requesting warranty service, you must present evidence of the original purchase date.

Zephyr Ventilation, 2277 Harbor Bay Parkway, Alameda, CA 94502
www.zephyronline.com 888-880-8368

PLAN THE INSTALLATION

Planning the installation first requires selecting the most appropriate installation approach. The chart below offers suggestions for the most effective installation approach by considering a few important factors. Further details on the two main types of installations are provided below.



OUTSIDE AIR INTAKE LOCATION

Proper design and location of the outside air intake location is critical in ensuring that the Damper can safely and reliably provide an opening for fresh air to enter the home. The following requirements for the location of the outside air intake must be met:

- Outside air intake is located a minimum of 10' from combustion appliance vents, chimneys, plumbing stacks, and bathroom or kitchen exhaust vents. If local codes have more stringent separation requirements, they shall apply.
- Outside air intake is placed high enough above grade to prevent blockage from snow or other debris such as leaves, and at a minimum of 1' above grade.
- Make-up air damper should not draw air from crawlspaces, garages, attics, adjacent dwelling units, or any enclosed part of the building. The Damper should be installed to draw air directly from outdoors.

OUTSIDE AIR INTAKE OPENING PROTECTION

Because the Damper, together with the end cap and outside air duct which are installed with it, will allow outdoor air into the indoor environment, it is important to meet the following requirements:

- Model AK00030 (6"), AK00032 (8") and AK00052 (10") fresh air inlet wall caps include protective bird screens to keep out animals and outside debris. Clean screens often and do not remove.
- If a protective bird screen other than the screen provided is used, it must cover the entire opening of the outside air duct. This screen must also have openings of at least 1/4" but no larger than 1/2".
- The outdoor air intake opening should meet local code provisions for the protection of openings in exterior walls, including steps to prevent moisture intrusion around the opening.

Note that the screen over the outside air opening is not a filter. It is intended to prevent the intake of leaves, animals, or debris into the outside air duct. A downstream filter is necessary to remove pollen, dust, and other airborne particles. Potential filter locations are shown below in the Typical Installations section.

MINIMUM RETURN AIR TEMPERATURE REQUIREMENTS

HVAC equipment manufacturers may have minimum requirements for the air temperature in the return air plenum. Introducing outdoor air to the return side of the central duct system may impact this temperature. The installer should adjust both the size of the outside air duct and the location of its connection to the return side of the central duct system in a manner so that minimum air temperature requirements are satisfied under design conditions.

WHAT IS INCLUDED IN THE PACKAGE

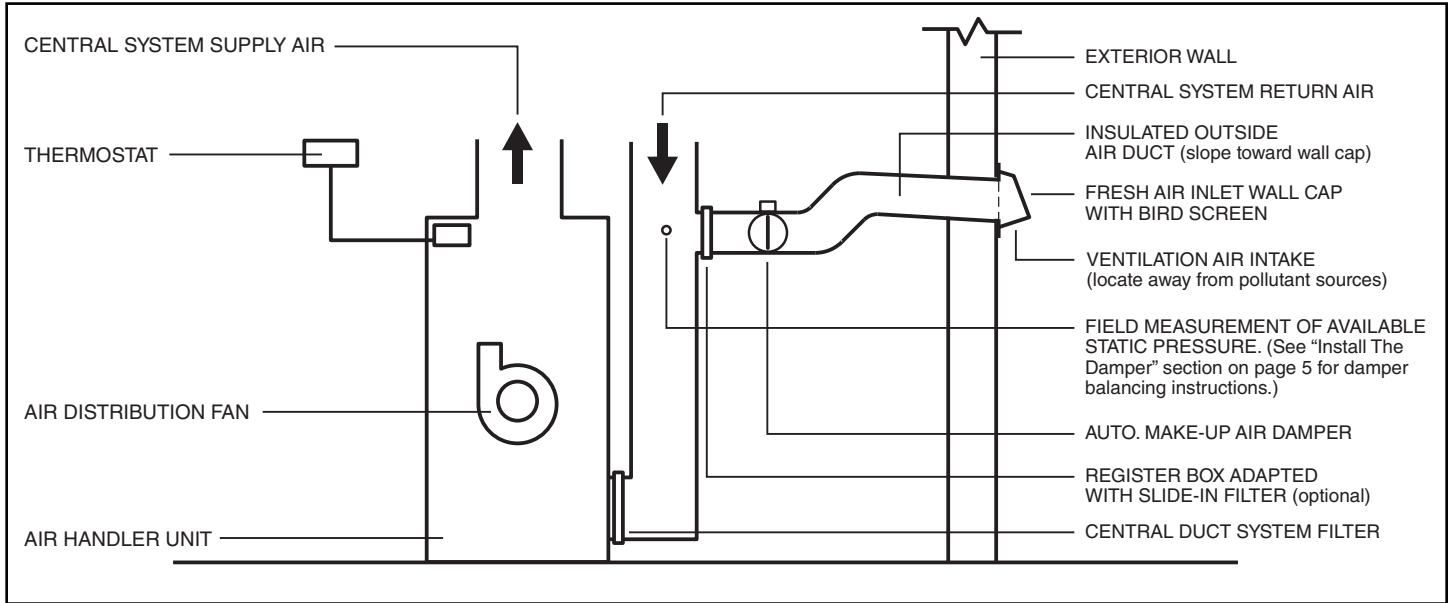
- Motorized Damper
- Transformer
- Pressure Switch Kit which includes:
 - Pressure Switch
 - Probe
 - 12" PVC tubing 1/4" I.D.
 - Gasket
 - (6) Sheet Metal Screws

TOOLS REQUIRED

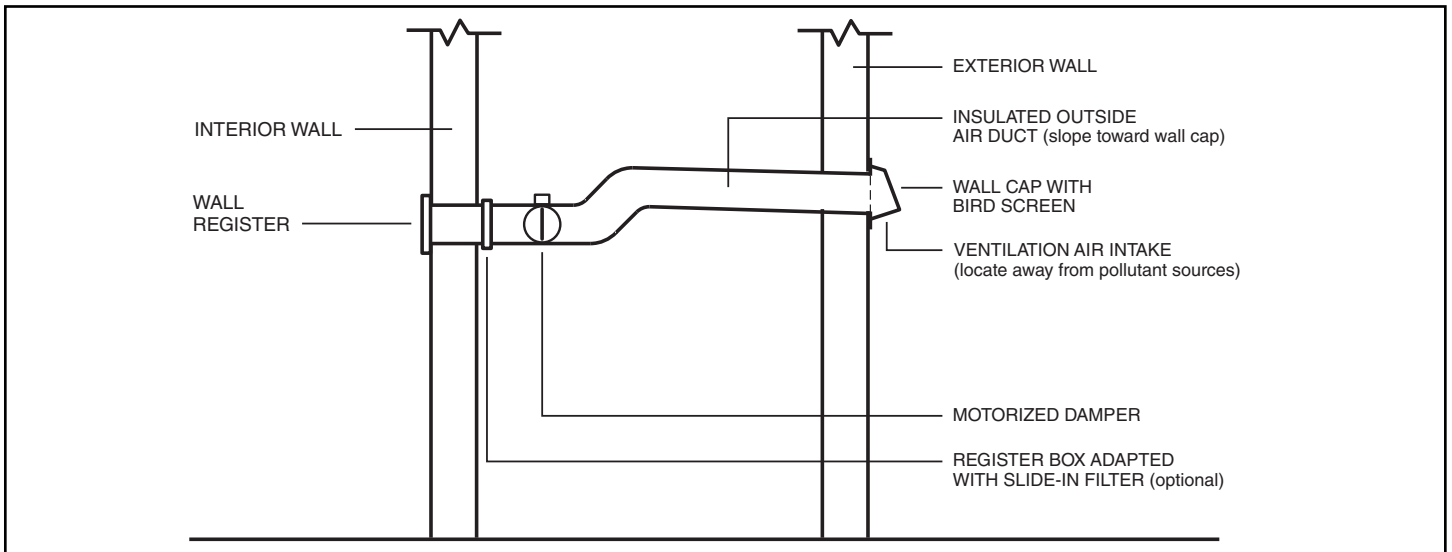
- 1/4" Socket Drive
- Flathead or Phillips Screw Driver
- 3/8" Drill Bit
- Duct Tape
- Low Voltage Wire (2 Conductor)
- (2) 1/4" Female Spade Terminals
- Wire Nuts

TYPICAL INSTALLATIONS

Installations will vary according to the location in the home where the unit is installed and which model Damper is used. Use the following illustrations and notes as guidance for your own installation. Always comply with local code requirements and in any instance where a detail shown below conflicts with local code, the local code provision shall apply.

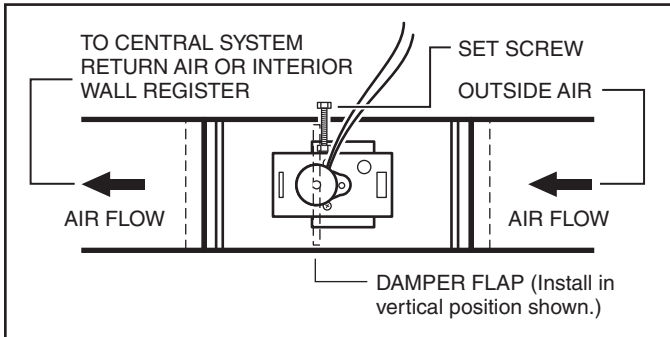


Damper connected to return side of central duct system.



Damper and outside air duct connected directly to a ceiling, floor, or wall register.

INSTALL THE DAMPER



Install the damper as shown. Make sure damper flap is in a vertical position when closed and power is off. The set screw can be used to adjust the damper opening - thereby balancing the inside and outside air pressure when the range hood exhausts at high speed.

PRESSURE SWITCH OPERATION

The pressure switch is designed to operate when the static pressure increases to 0.05" Ps or more. It may not operate at low speeds since the pressure is below this limit.

MULTIPLE DAMPERS

More than one damper may be required to balance the system. If more than one is required use (1) MUA006A, MUA008A, or MUA010A and then use the 54060012 (6"), 54060013 (8"), or 54060014 (10") dampers as additional dampers.

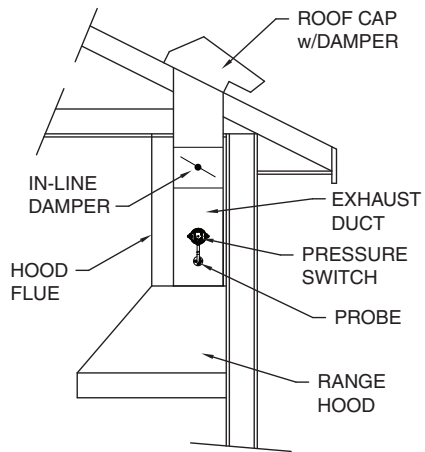
INSTALLATION OF PRESSURE SWITCH AND PROBE

For the probe & pressure switch to work effectively the roof or wall cap must have a spring loaded damper.

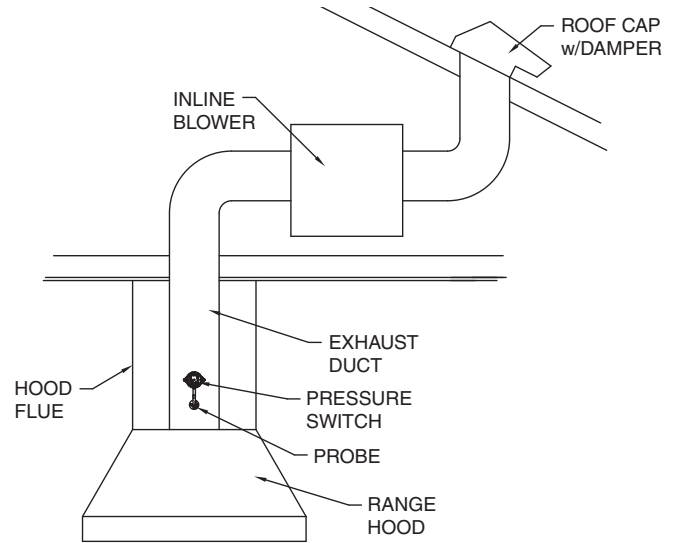
LOCATION OF PROBE AND PRESSURE SWITCH

The probe must be mounted between the range hood damper and the wall cap, roof cap, in-line blower or external blower. Mount the probe as close to the hood outlet as possible but make sure the hood damper operation is not affected.

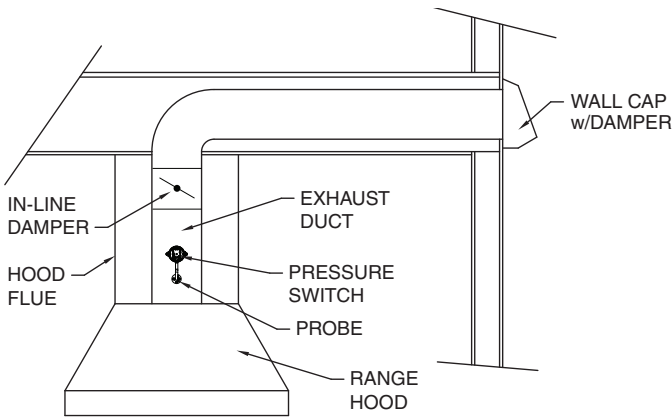
The pressure switch should be mounted so it is accessible for any future service. The switch can mounted no more than 72" away from the probe. If longer tubing is required then what is supplied, purchase 1/4" I.D. PVC tubing from a local source. See the illustrations below for possible installation scenarios.



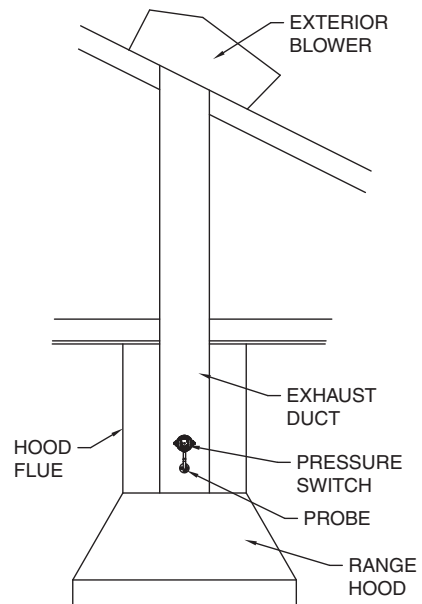
TYPICAL INSTALLATION WITH INTERNAL BLOWER AND ROOF VENT



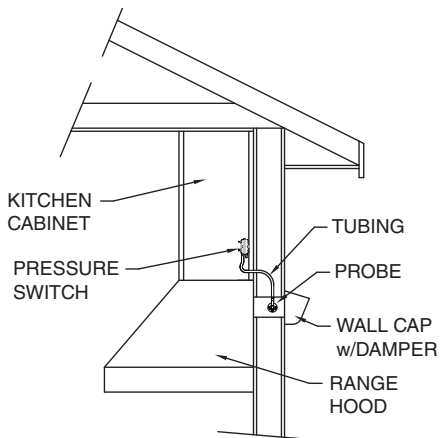
TYPICAL INSTALLATION WITH INLINE BLOWER



TYPICAL INSTALLATION WITH INTERNAL BLOWER AND WALL VENT

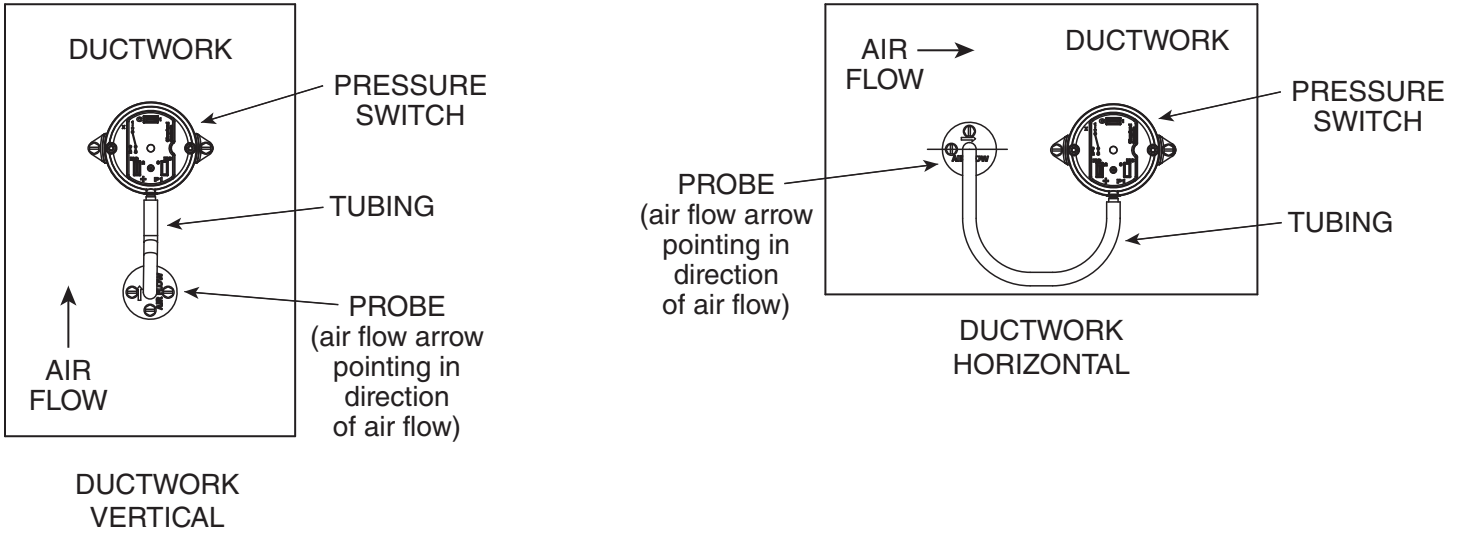


TYPICAL INSTALLATION WITH EXTERIOR BLOWER

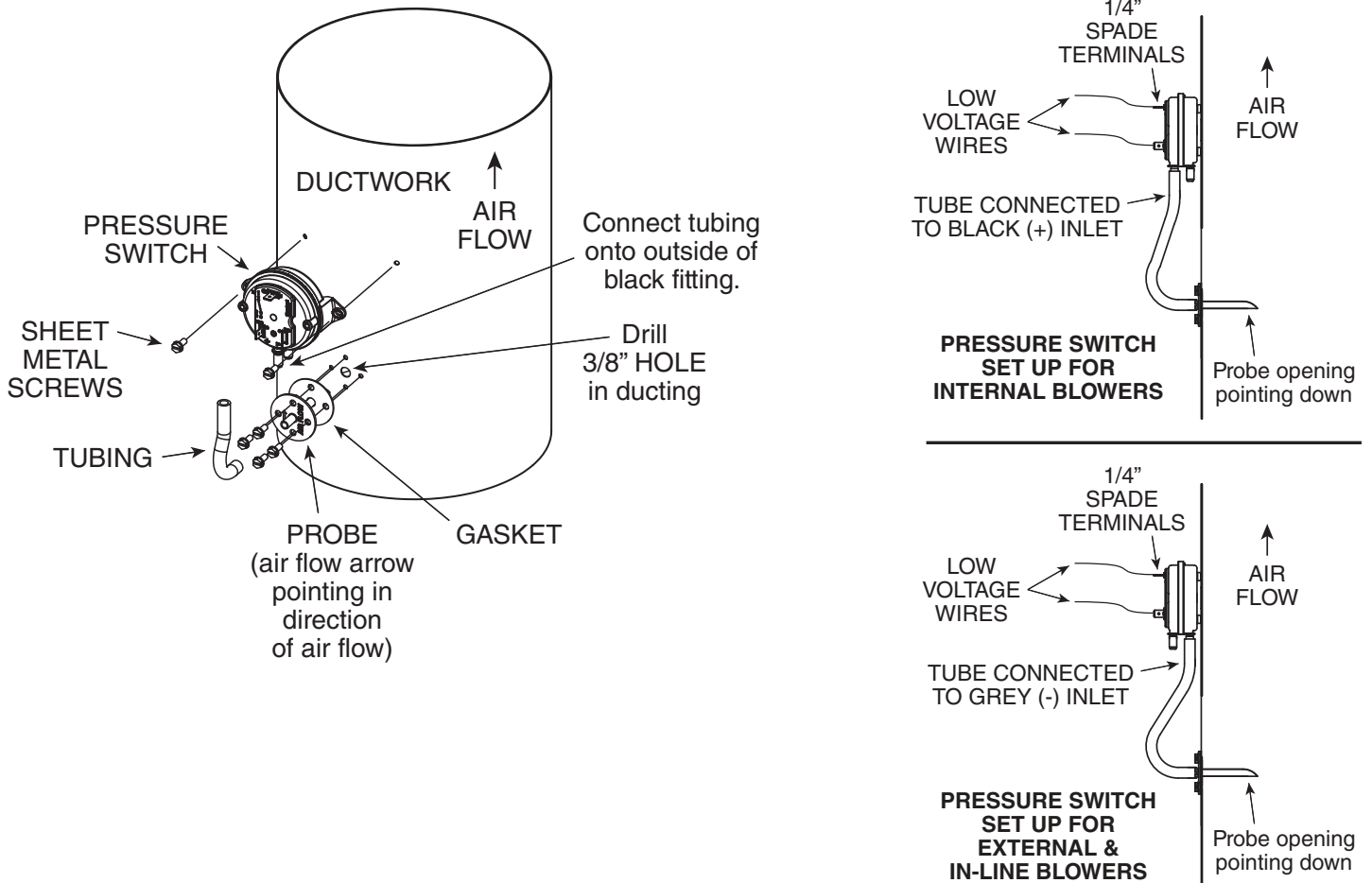


TYPICAL INSTALLATION WITH INTERNAL BLOWER AND HORIZONTAL DUCTING w/ WALL VENT

MOUNTING POSITIONS OF PROBE & PRESSURE SWITCH

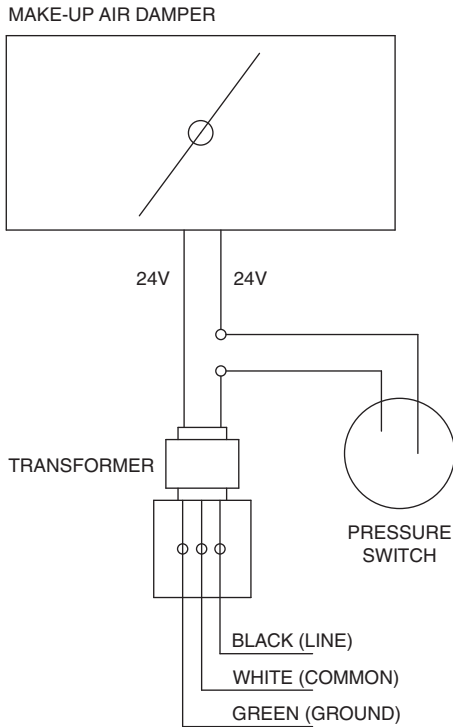


MOUNT THE PROBE & PRESSURE SWITCH

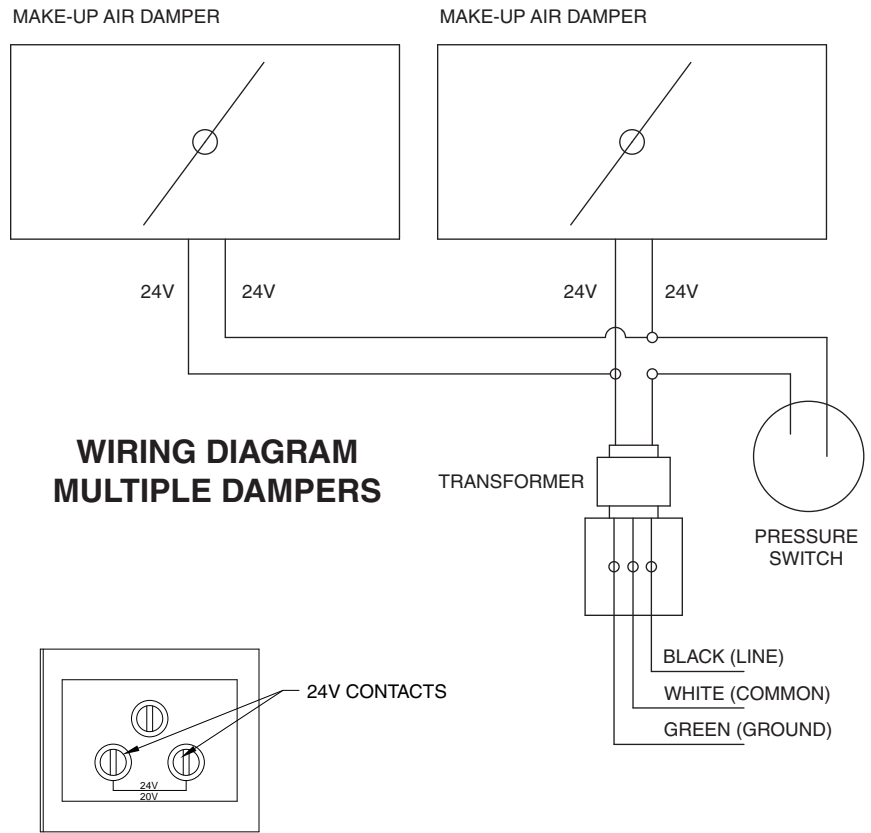


WIRE THE SYSTEM

Wire the system as shown.



**WIRING DIAGRAM
ONE DAMPER**



**WIRING DIAGRAM
MULTIPLE DAMPERS**

TRANSFORMER WIRING

TEST THE SYSTEM

Once the damper, pressure switch, and probe is installed. Turn on the range hood to high speed and confirm that the damper opens. Turn off the hood and check to see if the damper closes.

A qualified HVAC contractor should also ensure the proper operation and venting of all combustion equipment in the home.

FALSE TRIPPING

Under certain extreme conditions there could be false tripping of the damper (opening when the range hood blower is off). If false tripping is encountered, place an in-line backdraft damper (available from your local hardware store or from Zephyr) between the probe and the roof or wall cap.

SERVICE PARTS

50500133	Pressure Switch Kit
12110018	24V Transformer
54060012	6" Motorized Damper
54060013	8" Motorized Damper
54060014	10" Motorized Damper

MAINTENANCE

Regular maintenance is necessary to ensure the proper operation of the Damper system. Failure to conduct such routine maintenance can jeopardize the ability of the Damper to introduce fresh air into the home. Regular maintenance should include the following activities:

- Clean the outside bird screen to ensure it is free from debris and open to allow fresh air to enter.
- Clean or replace the interior filter(s) which serve to filter fresh air before it enters the home.
- Maintain a clear opening at the outdoor end cap, which means preventing the buildup of snow, leaves, or vegetation at the end cap.
- During regular HVAC maintenance, have the mechanical contractor inspect the Damper system for proper operation.

FREQUENTLY ASKED QUESTIONS (FAQS)

1. What does an automatic make-up air damper do?

An automatic make-up air damper (the “Damper”) provides a pathway for fresh air to enter a home from outdoors when a compatible range hood is operating. When the hood blower is operating The Damper opens thereby creating a known, controlled point for fresh air to enter the home while air is being exhausted from the building by the range hood.

By operating in this manner, the Damper provides two key benefits for the home:

- It facilitates air exchange between indoors and outdoors, by helping to allow fresh air into the home to replace air which is exhausted out of the home.
- By allowing fresh air into the building when a compatible exhaust device is on, the Damper helps to avoid negative pressure conditions within the home which may interfere with the proper operation of combustion equipment within the home.

Overall, the Damper lets your range hood do its job more effectively and without interfering with the proper operation of other home systems.

2. Which automatic make-up air damper do I need?

The required amount of make-up air will vary for each home and the amount of exhaust ventilation provided within the home. As a general rule of thumb, Zephyr recommends sizing the make-up air damper as follows:

- One 6” damper for ventilation rated up to 600 CFM
- One 8” damper for ventilation rated up to 1000 CFM
- One 10” damper for ventilation rated up to 1200 CFM

However, Zephyr highly recommends that a qualified professional HVAC contractor be consulted after installation to ensure there is no negative pressure in the home when the range hood is operating. If negative pressure exists, then additional make-up air should be added.

3. Does the “Damper” provide combustion air for combustion appliances like a water heater or a furnace?

No. The Damper helps to replace air which is exhausted by a compatible range hood. But it does NOT help to replace air which is drawn from the indoors by a combustion appliance like a natural gas water heater, and it should not be relied upon to perform this function. One main reason for this restriction is that the Damper is only open when the range hood that it's connected to is operating. So there is no assurance that the Damper would be open when other appliances, like a water heater, are operating. Other means must be provided to ensure adequate combustion air for these appliances.

4. How do I know if I need make-up air for my range hood?

In some cases the local building code may tell you that make-up air is necessary. For example, some codes specify that range hoods with exhaust flows of 300 cubic feet per minute (CFM) or higher need a mechanical system to introduce make-up air.

In other cases, make-up air for a range hood is desirable regardless of whether code requires it. This is especially true for:

- larger range hoods (those over 300 cfm)
- homes which are well air-sealed
- homes with atmospherically vented combustion appliances (i.e. a water heater or natural draft fireplace), which are more susceptible to improper venting if depressurization occurs.

In homes with any one of these factors make-up air is advised. And in homes with more than one of these conditions make-up air for the range hood is strongly advised.

5. What are the benefits of providing make-up air to replace air which is exhausted out of the home by a range hood?

Range hoods are designed to pull out pollutants like cooking odors or moisture at the source, so they don't linger in the home. Because these fans pull air out of the house, this air needs to be replaced with “new” air from outdoors. Normally this make-up air enters the home through cracks and holes in the “shell” of the building. But modern homes are air-sealed much more thoroughly so there are not as many cracks and openings. Plus some exhaust fans like range hoods exhaust a lot more air than can be replaced through normal cracks in the building shell.

By providing an intentionally designed opening for fresh air to replace air which is exhausted out by the range hood, several important benefits result:

- The make-up air entering the home comes in at a known point, where it is also filtered
- Negative pressure conditions, which could arise if air is exhausted from a home without being replaced by new fresh air, are prevented
- Pollutants are more effectively exhausted from the home while fresh replacement air is drawn into the home, improving ventilation

6. Does ASHRAE 62.2-2007 – “Ventilation and Acceptable Indoor Air Quality in Low-Rise Residential Buildings” – require the use of a make-up air damper?

ASHRAE 62.2-2007 does not specifically require make-up air dampers. In a few limited circumstances, this standard does require that net exhaust flows from a house be limited. For example, Section 6.4 of the standard limits the net exhaust flow from a home's two largest exhaust appliances if the home has atmospherically vented or solid-fuel burning appliances located within the pressure boundary of the house. This standard is available at www.ashrae.org.

7. Can I use the Zephyr Automatic Make-Up Air Damper with other equipment in my home?

No. The Zephyr Automatic Make-Up Air Damper may only be used with compatible Zephyr range hoods over 400 CFM.

8. What are the different ways that the Damper can be installed in my home?

The most common way to install the Damper is to connect it to a home's central duct system. In this application, outside fresh air enters the home through the Damper and is then routed and distributed through the home's ducts.

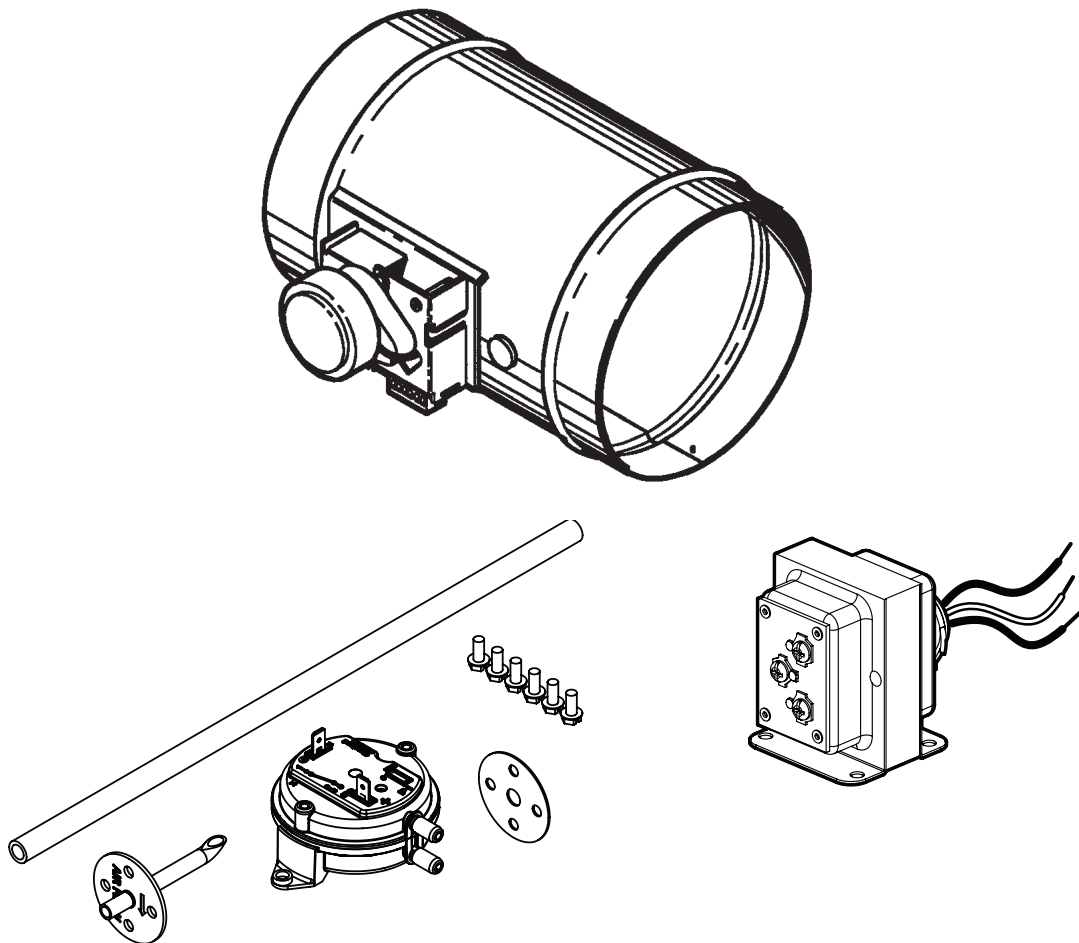
9. What happens after a power outage?

The Damper system and the associated exhaust devices will not lose their settings following a power outage. So the system will resume its normal operation following a power outage, based on the settings it used prior to the outage.

NOTES

CLAPET UNIVERSEL D'AIR DE COMPENSATION

MUA006A
MUA008A
MUA010A



CLAPET AUTOMATIQUE D'AIR DE COMPENSATION AVEC TRANSFORMATEUR ET MANOCONTACTEUR

LIRE CES DIRECTIVES ET LES CONSERVER

 **POUR USAGE RÉSIDENTIEL SEULEMENT** 

AVERTISSEMENT



OBSERVEZ LES DIRECTIVES CI-DESSOUS AFIN DE RÉDUIRE LES RISQUES D'INCENDIE, DE CHOC ÉLECTRIQUE OU DE BLESSURES CORPORELLES :

1. La pose de l'appareil et les travaux d'électricité doivent être effectués par des personnes qualifiées conformément à la réglementation en vigueur, notamment les normes de la construction ayant trait à la protection contre les incendies.
2. Cet appareil n'est pas conçu pour procurer de l'air de combustion aux appareils de chauffage au mazout.
3. Ne raccordez pas directement cet appareil à un appareil de combustion de quelque type que ce soit.
4. Pour éviter les refoulements, l'apport d'air doit être suffisant pour brûler les gaz produits par les appareils à combustion et les évacuer dans le conduit de fumée (cheminée). Respectez les directives du fabricant de l'appareil de chauffage et les normes de sécurité, notamment celles publiées par la National Fire Protection Association (NFPA), l'American Society for Heating, Refrigeration and Air Conditioning Engineers (ASHRAE) et les codes des autorités locales.
5. Avant de procéder à l'entretien ou au nettoyage de l'appareil, coupez l'alimentation du panneau électrique et verrouillez l'interrupteur principal afin d'empêcher que le courant ne soit accidentellement rétabli. S'il est impossible de verrouiller l'interrupteur principal, fixez solidement un message d'avertissement, par exemple une étiquette, sur le panneau électrique.
6. Il est conseillé de porter des lunettes de sécurité et des gants lors de l'installation, de l'entretien ou du nettoyage de l'appareil.
7. Par mauvais temps, comme lors d'une tempête de neige, assurez-vous que la prise d'air du conduit extérieur n'est pas obstruée et permet à l'air extérieur d'entrer librement dans le conduit.
8. Veillez à ne pas endommager le câblage électrique ou autres connexions non apparentes lors de la découpe ou du perçage d'un mur ou d'un plafond.
9. Si vous devez encocher ou percer les solives d'un plancher ou les montants d'un mur, veuillez respecter les codes et limitations du fabricant quant aux modifications acceptables de ces éléments de charpente.
10. Cet appareil est conçu pour être installé dans une habitation à un endroit à l'abri de l'humidité.
11. Il doit être placé dans un lieu accessible permettant son inspection.
12. N'utilisez cet appareil que de la manière prévue par le fabricant. Si vous avez des questions, communiquez avec le fabricant à l'adresse ou au numéro de téléphone indiqués dans ce document.
13. Lorsque les législations fédérales, provinciales ou d'état comportent des exigences plus sévères quant à l'installation et/ou l'homologation, celles-ci auront préséance sur celles de ce document et l'installateur s'engage à s'y conformer à ses frais.

ATTENTION



1. Ne situez pas la prise d'air extérieur près de matières dangereuses ou explosives.
2. L'installation de l'appareil ne doit pas permettre d'aspirer l'air d'un vide sanitaire, d'un garage, d'un grenier, d'un logement adjacent ni de tout autre espace situé à l'intérieur de l'enceinte de l'édifice. L'appareil doit être installé pour aspirer l'air directement de l'extérieur.
3. Ne placez pas le conduit d'arrivée d'air extérieur directement au-dessus d'un appareil de chauffage, d'un caisson de distribution ou d'une chaudière, ni à moins de 60 cm (2 pi).
4. Installez tout conduit utilisé avec le clapet conformément aux codes locaux et nationaux en vigueur.
5. N'utilisez pas le clapet pour introduire de l'air frais tant que les filtres, et notamment le filtre du conduit central du système, n'ont pas été installés tels que conçus.
6. Veuillez lire l'étiquette de spécifications du produit pour obtenir plus de renseignements, notamment sur les exigences.
7. La prise d'air extérieur du clapet, les conduits et les filtres doivent être régulièrement inspectés et entretenus.
8. Dans les climats froids, isolez le conduit et le clapet pour éviter la condensation. Il est conseillé de placer un coupe-vapeur des deux côtés de l'isolant.

GARANTIE

GARANTIE LIMITÉE D'UN AN ZEPHYR

ZEPHYR garantit à l'acheteur original que les produits vendus en vertu de la présente sont libres de tout vice de matériau ou de fabrication pour une période d'un an à compter de la date d'achat originale. CETTE GARANTIE NE COMPORTE AUCUNE AUTRE GARANTIE, EXPRESSE OU TACITE, Y COMPRIS, MAIS SANS S'Y LIMITER, LES GARANTIES TACITES DE VALEUR MARCHANDE OU D'ADAPTATION À UN USAGE PARTICULIER.

Durant cette période d'un an, ZEPHYR réparera ou remplacera gratuitement, à sa discrétion, tout produit ou toute pièce jugés défectueux dans des conditions normales d'utilisation. CETTE GARANTIE NE S'APPLIQUE PAS AUX TUBES FLUORESCENTS ET AUX DÉMARREURS, NI AUX AMPOULES HALOGÈNES OU INCANDESCENTES, FUSIBLES, FILTRES, CONDUITS, CAPUCHONS DE TOIT, CAPUCHONS MURAUX ET AUTRES ACCESSOIRES POUR CONDUITS. Cette garantie ne couvre pas (a) les frais d'entretien ou de service normaux ni (b) tout produit ou toute pièce soumis à un abus, une négligence, un accident, un entretien ou une réparation inadéquats (autres que ceux effectués par ZEPHYR), une mauvaise installation ou une installation contraire aux instructions recommandées.

La durée de toute garantie tacite est limitée à la période d'un an stipulée pour la garantie expresse. Certains territoires ou provinces interdisant de limiter la durée d'une garantie tacite, la limitation ci-dessus peut ne pas s'appliquer à votre situation.

L'OBLIGATION POUR ZEPHYR DE RÉPARER OU DE REMPLACER LE PRODUIT, À SA DISCRÉTION, CONSTITUE LE SEUL RECOURS DE L'ACHETEUR EN VERTU DE LA PRÉSENTE GARANTIE. ZEPHYR NE PEUT ÊTRE TENU RESPONSABLE DES DOMMAGES INDIRECTS OU CONSÉCUTIFS NI DES DOMMAGES-INTÉRÊTS PARTICULIERS DÉCOULANT DE L'UTILISATION OU DU RENDEMENT DU PRODUIT. Certains territoires ou provinces ne permettant pas la limitation ou l'exclusion des dommages indirects ou consécutifs, la limitation ci-dessus peut ne pas s'appliquer à votre situation.

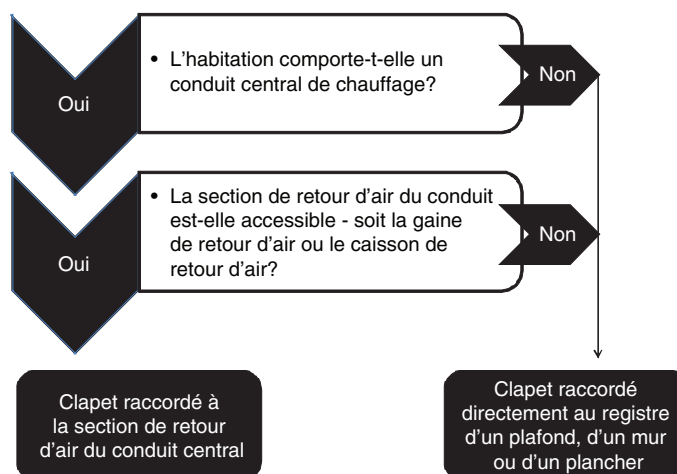
La présente garantie vous confère des droits spécifiques reconnus par la loi. D'autres droits pourraient également vous être accordés selon la législation locale en vigueur. La présente garantie remplace toutes les autres garanties précédentes.

Pour vous prévaloir de cette garantie, vous devez (a) aviser ZEPHYR à l'adresse ou au numéro de téléphone indiqués ci-dessous, (b) donner le numéro de modèle du produit et le numéro d'identification de la pièce et (c) décrire la nature de la défectuosité du produit ou de la pièce. Lors de votre demande de garantie, vous devez présenter une preuve de la date d'achat originale.

Zephyr Ventilation, 2277 Harbor Bay Parkway, Alameda, CA 94502
www.zephyronline.com 888-880-8368

PLANIFICATION DE L'INSTALLATION

La planification de l'installation exige d'abord le choix du mode d'installation le plus approprié. Le tableau ci-dessous présente des suggestions pour le type d'installation le plus efficace compte tenu de quelques facteurs importants. De plus amples informations sur les deux principaux types d'installation sont présentées ci-dessous.



EXIGENCES RELATIVES À LA TEMPÉRATURE MINIMALE DE L'AIR DE RETOUR

Les fabricants d'appareils de chauffage et de climatisation ont parfois des exigences relatives à la température minimale de l'air du caisson de retour. Faire pénétrer de l'air extérieur dans la section de retour du système central peut affecter cette température. L'installateur devra choisir la taille adéquate du conduit d'air extérieur et l'emplacement approprié de son raccordement à la section de retour d'air du système central afin de satisfaire les exigences de température minimale, conformément à sa conception.

CET ENSEMBLE COMPREND

- Clapet motorisé
- Transformateur
- Ensemble de manocontacteur, incluant :
 - Manocontacteur
 - Sonde
 - Tube PVC 6 mm (1/4 po) D.I. de 30 cm (12 po)
 - Joint
 - (6) Vis à tôle

EMPLACEMENT DE LA PRISE D'AIR EXTÉRIEUR

La conception et l'emplacement adéquats de la prise d'air extérieur sont indispensables au bon fonctionnement et à la fiabilité du clapet pour faire pénétrer de l'air frais dans la maison. Il importe de respecter les exigences suivantes lors du positionnement de la prise d'air :

- La prise d'air extérieur est située à au moins 3 m (10 pi) de tout évent d'appareil à combustion, cheminée, colonne de plomberie ou évent de salle de bain ou de cuisine. Si les exigences des codes locaux sont encore plus sévères, elles prévaudront.
- La prise d'air extérieur est à une hauteur suffisante pour empêcher qu'elle ne soit obstruée par la neige ou des débris, telles que des feuilles, et doit être à au moins 30 cm (1 pi) au-dessus du sol.
- Le clapet d'air de compensation ne doit pas aspirer l'air d'un vide sanitaire, d'un garage, d'un grenier, d'un logement adjacent ni de tout autre espace situé à l'intérieur de l'édifice. Le clapet doit être installé pour aspirer l'air directement de l'extérieur.

PROTECTION DE L'OUVERTURE DE LA PRISE D'AIR EXTÉRIEUR

Puisque le clapet, ainsi que le capuchon mural et la prise d'air extérieur qui lui sont rattachés, permettront à l'air extérieur d'entrer à l'intérieur de l'habitation, il importe de respecter les exigences suivantes :

- Utilisez un capuchon mural d'air frais de modèle AK00030 (15 cm/6 po), AK00032 (20 cm/8 po) ou AK00052 (25 cm/10 po) muni d'un grillage aviaire pour empêcher les oiseaux, les animaux ou les débris d'entrer. Nettoyez souvent ce grillage et ne l'enlevez pas.
- Si vous utilisez un autre grillage aviaire que celui fourni, il doit couvrir toute l'ouverture de la prise d'air extérieur. Ce grillage doit également avoir des ouvertures d'au moins 6 mm (¼ po) mais de pas plus de 13 mm (½ po).
- L'ouverture de la prise d'air extérieur doit respecter les dispositions des codes locaux concernant la protection des ouvertures dans les murs extérieurs, dont les mesures à prendre pour empêcher l'entrée d'humidité autour de l'ouverture.

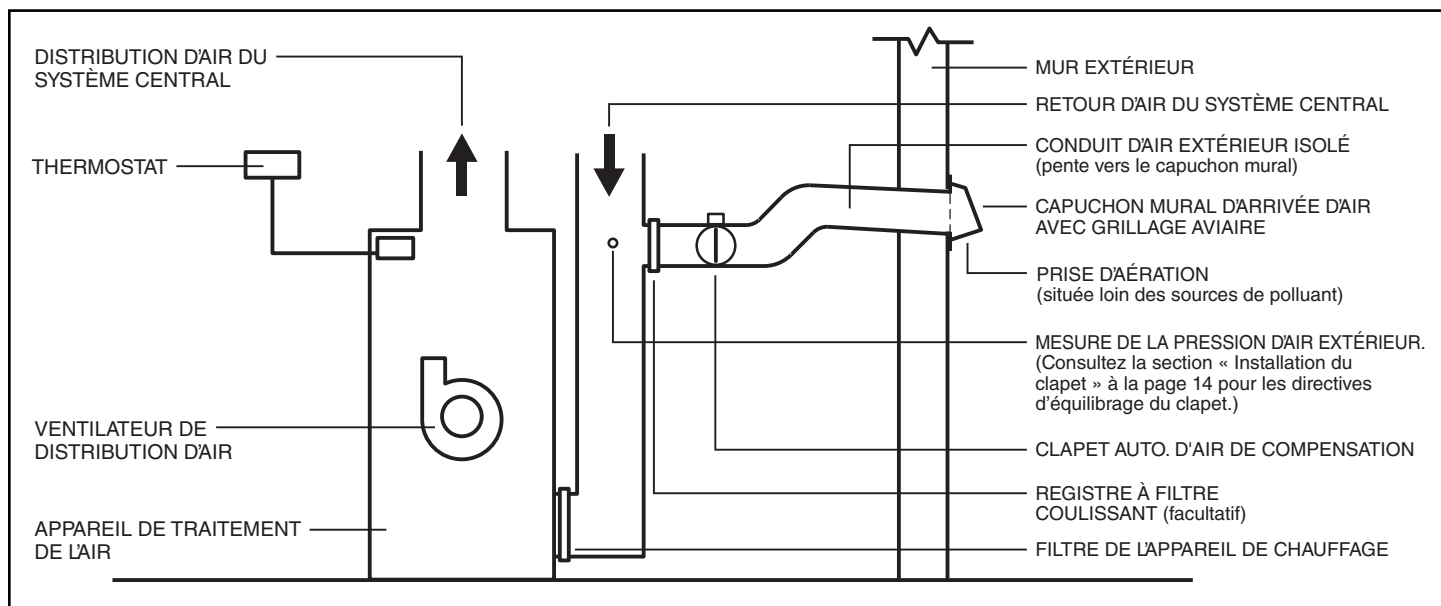
Veuillez noter que le grillage de la prise d'air ne constitue pas un filtre. Il ne vise qu'à empêcher l'entrée des feuilles, des animaux ou des débris dans le conduit. Un filtre situé en aval est nécessaire pour enlever le pollen, la poussière et les autres particules en suspension. Les emplacements possibles du filtre sont indiqués ci-dessous dans la section des Installations type.

OUTILS REQUIS

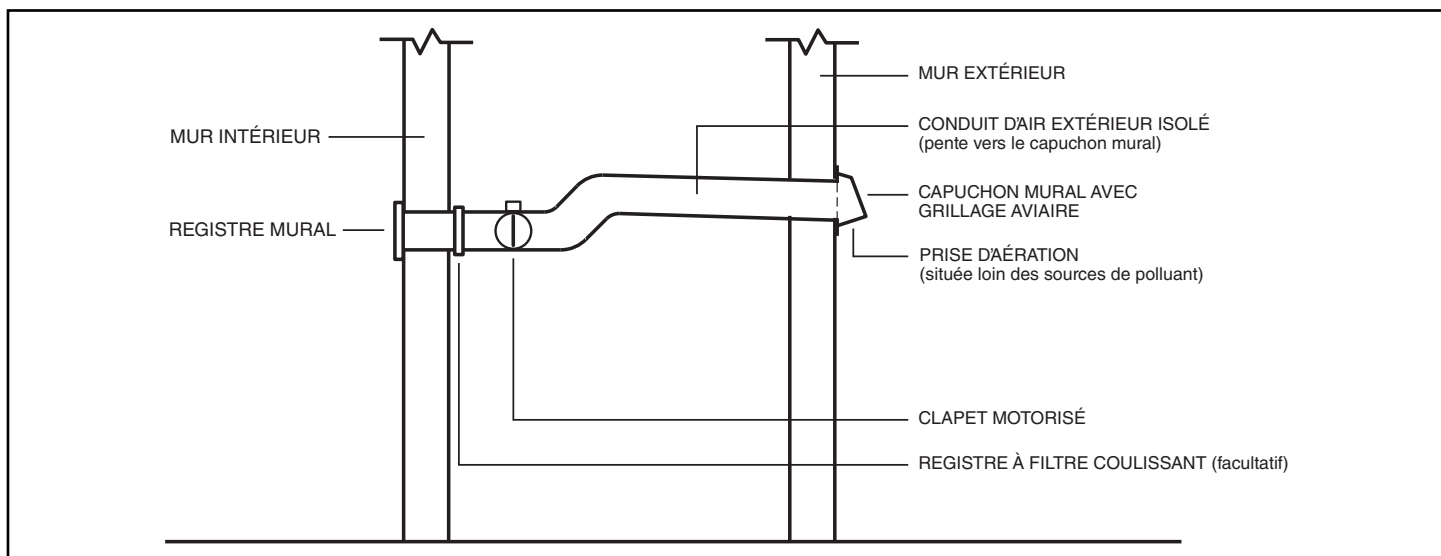
- Clé à cliquet à prise 1/4 po
- Tournevis plat ou cruciforme
- Mèche 3/8 po
- Ruban pour conduit
- Fil à basse tension (2 conducteurs)
- (2) Cosses ouvertes femelles 1/4 po
- Serre-fils

INSTALLATIONS TYPE

Les installations varieront en fonction de l'emplacement de l'appareil dans la maison et du modèle de clapet utilisé. Consultez les illustrations et notes ci-dessous pour vous guider dans l'installation. Respectez toujours les exigences des codes dans toute situation où un détail indiqué ci-dessous contredirait les codes locaux. Ceux-ci ont préséance.

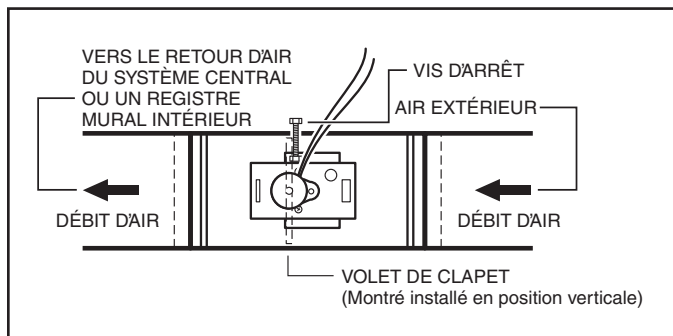


Clapet raccordé à la section de retour d'air du conduit central.



Clapet et conduit extérieur raccordés directement au registre d'un plafond, d'un mur ou d'un plancher.

INSTALLATION DU CLAPET



Installez le clapet tel qu'illustré. Assurez-vous que le volet du clapet est en position verticale lorsqu'il est fermé et que le courant est coupé. L'ouverture du clapet peut être réglée à l'aide de la vis d'arrêt - en équilibrant la pression d'air intérieur et extérieur lorsque la hotte de cuisine expulse l'air à haute vitesse.

FONCTIONNEMENT DU MANOCONTACTEUR

Le manostat est conçu pour fonctionner à une augmentation de la pression statique (P_s) de 0,05 po et plus. Il peut ne pas fonctionner à basse vitesse si la pression est inférieure à ce seuil.

CLAPETS MULTIPLES

Plusieurs clapets peuvent être nécessaires pour équilibrer le système. Si vous utilisez plusieurs clapets, choisissez un (1) clapet MUA006A, MUA008A, ou MUA010A puis utilisez les modèles 54060012 (6 po), 54060013 (8 po), ou 54060014 (10 po) comme clapets additionnels.

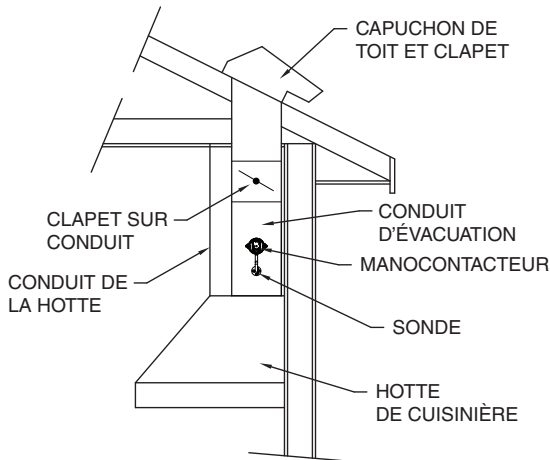
INSTALLATION DU MANOCONTACTEUR ET DE LA SONDE

Pour que la sonde et le manostat fonctionnent correctement, le capuchon mural ou de toit doit avoir un clapet à ressort.

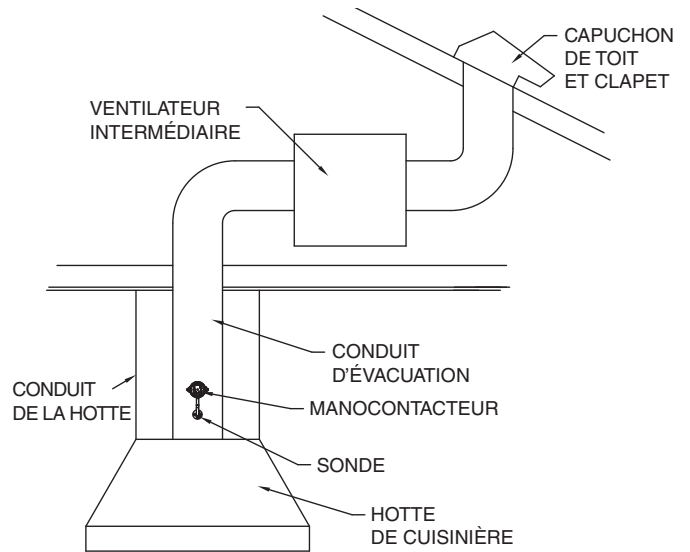
EMPLACEMENT DE LA SONDE ET DU MANOCONTACTEUR

La sonde doit être installée entre le clapet de la hotte et le capuchon mural, le capuchon de toit, le ventilateur intermédiaire ou le ventilateur extérieur. Installez la sonde le plus près possible de la sortie de la hotte mais assurez-vous qu'elle ne gêne pas le fonctionnement de son clapet.

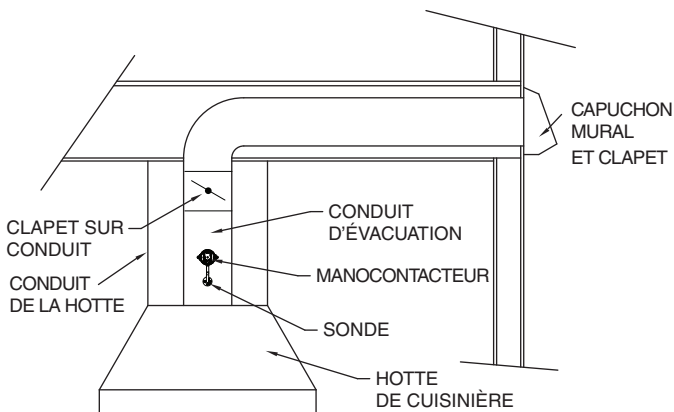
Le manocontacteur doit être placé à un endroit accessible pour un entretien éventuel. Il ne doit pas être à plus de 1,83 m (72 po) de la sonde. Si un tube plus long que celui fourni est nécessaire, achetez du tube de PVC de 1/4 po D.I. chez votre magasin local. Voir les illustrations ci-dessous pour les différentes possibilités d'installation.



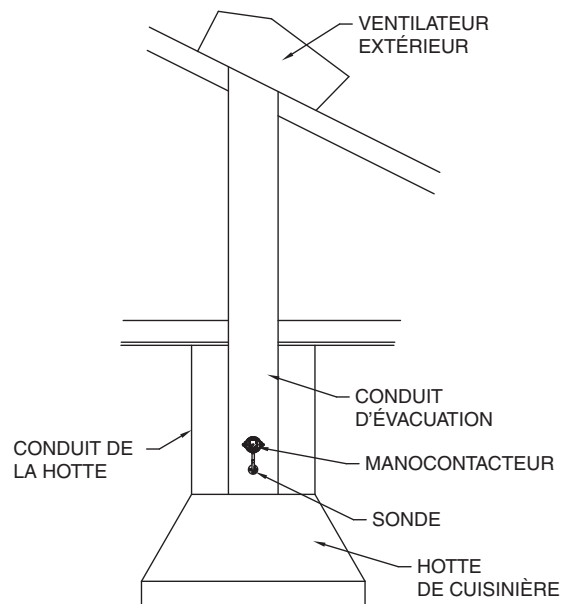
INSTALLATION TYPE AVEC VENTILATEUR INTERNE ET ÉVENT DE TOIT



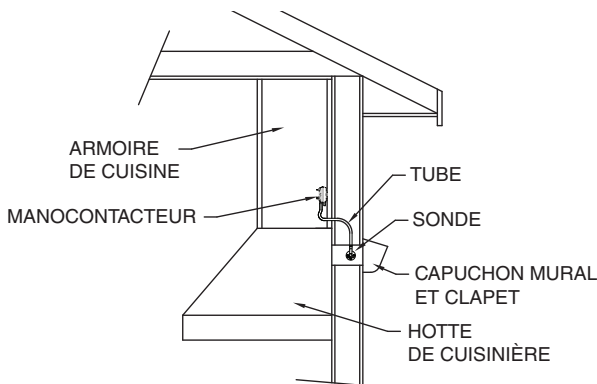
INSTALLATION TYPE AVEC VENTILATEUR INTERMÉDIAIRE



INSTALLATION TYPE AVEC VENTILATEUR INTERNE ET ÉVENT MURAL

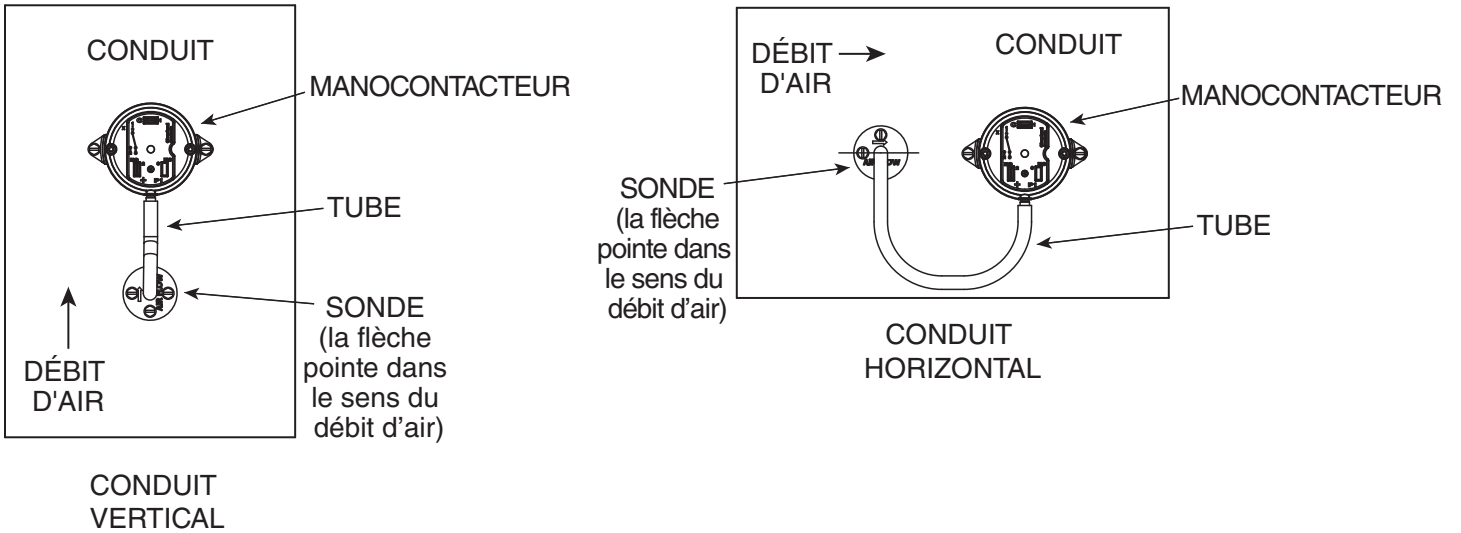


INSTALLATION TYPE AVEC VENTILATEUR EXTÉRIEUR

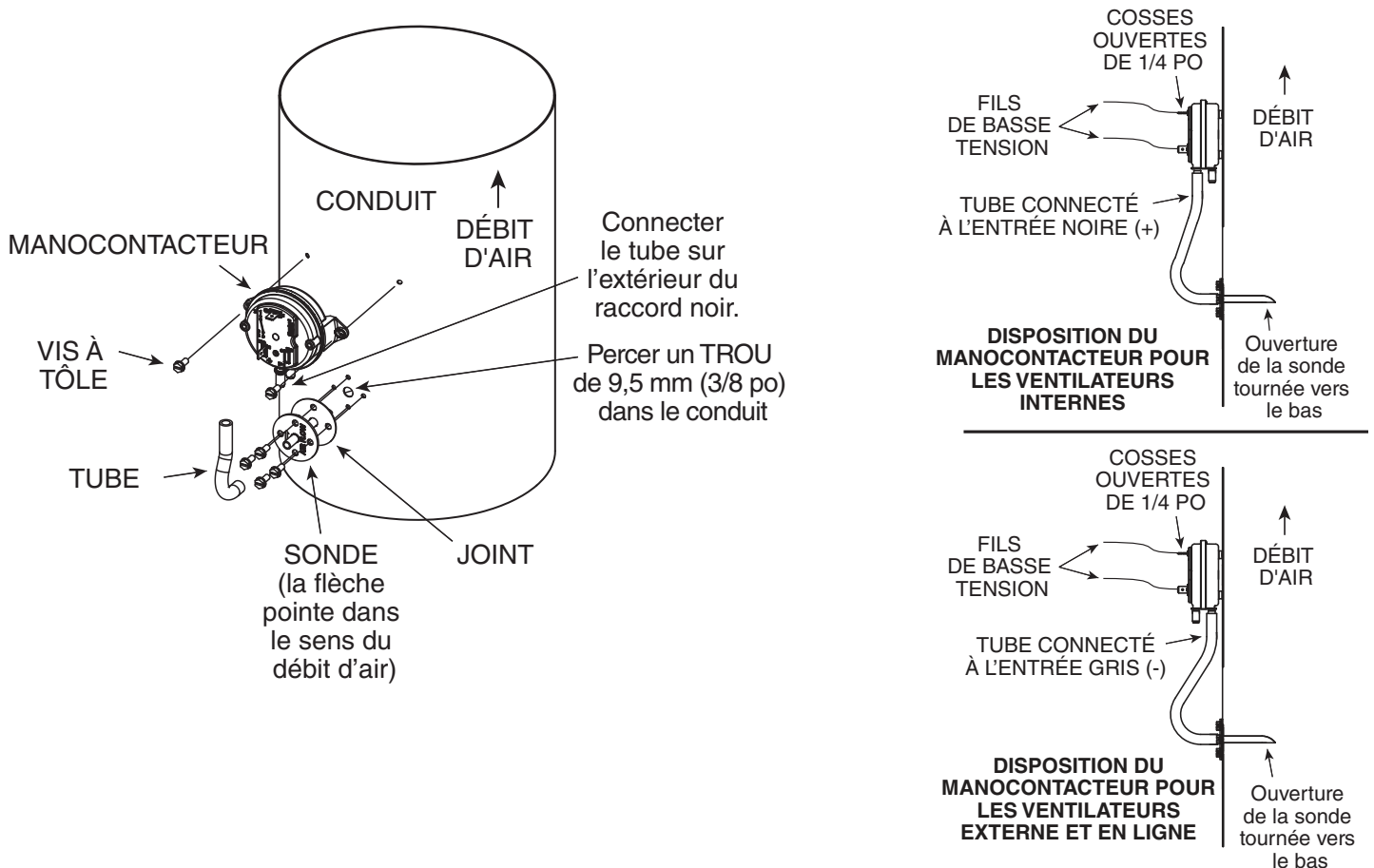


INSTALLATION TYPE AVEC VENTILATEUR INTERNE ET CONDUIT HORIZONTAL AVEC ÉVENT MURAL

POSITIONS DE MONTAGE DE LA SONDE ET DU MANOCONTACTEUR

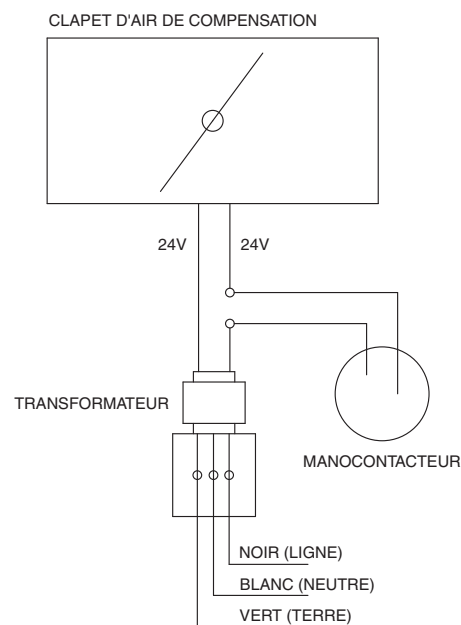


MONTAGE DE LA SONDE ET DU MANOCONTACTEUR

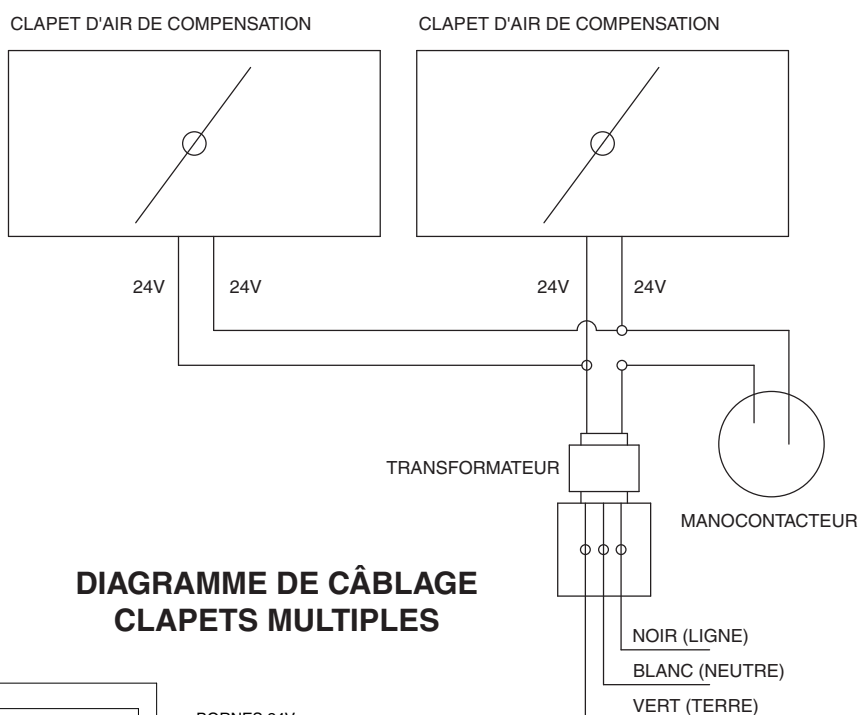


CÂBLAGE DU SYSTÈME

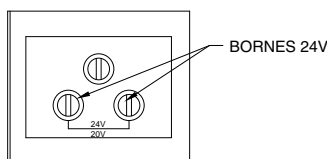
Effectuez le câblage tel qu'illustré.



**DIAGRAMME DE CÂBLAGE
UN CLAPET**



**DIAGRAMME DE CÂBLAGE
CLAPETS MULTIPLES**



CÂBLAGE DU TRANSFORMATEUR

TESTER LE SYSTÈME

Une fois le clapet, le manocontacteur et la sonde installés, actionnez la hotte à haute vitesse et vérifiez que le clapet s'ouvre. Arrêtez la hotte et vérifiez que le clapet se referme.

Un spécialiste en appareil de chauffage et de climatisation doit également s'assurer du bon fonctionnement de tout appareil de combustion, notamment l'évacuation des gaz de combustion.

DÉCLENCHEMENT INDÉSIRABLE

Dans certaines conditions extrêmes, le clapet peut se déclencher alors qu'il ne le devrait pas (s'ouvre alors que la hotte est arrêtée). Si un tel déclenchement indésirable se produit, placez un clapet de refoulement intermédiaire (disponible dans une quincaillerie locale ou auprès de Zephyr), entre la sonde et le capuchon mural ou de toit.

Liste des pièces de rechange

50500133	Ensemble de manocontacteur
12110018	Transformateur 24 V
54060012	Clapet motorisé de 15,2 cm (6 po)
54060013	Clapet motorisé de 20,3 cm (8 po)
54060014	Clapet motorisé de 25,4 cm (10 po)

ENTRETIEN

Un entretien régulier est nécessaire pour garantir le bon fonctionnement du système de clapet. Toute négligence à cet égard risque d'affecter la capacité du clapet d'introduire de l'air frais dans l'habitation. Cet entretien régulier doit comporter les points suivants :

- Nettoyer l'extérieur du grillage aviaire de la prise d'air pour éviter que des débris empêchent l'arrivée de l'air frais.
- Nettoyer ou remplacer le(s) filtre(s) d'air frais avant l'entrée de l'air dans la maison.
- Veiller à ce que l'ouverture du capuchon mural extérieur reste dégagée : débayer la neige, enlever les feuilles ou la végétation autour du capuchon.
- Lors de la visite d'entretien régulière du spécialiste du chauffage, demandez-lui de vérifier le bon fonctionnement du clapet.

FOIRE AUX QUESTIONS (FAQ)

1. À quoi sert un clapet automatique d'air de compensation?

Le clapet automatique d'air de compensation (le « clapet ») permet à l'air frais de l'extérieur d'entrer dans la maison lorsqu'une hotte compatible est en marche. Le clapet s'ouvre lorsqu'une hotte est actionnée, offrant ainsi un point d'entrée contrôlé permettant à de l'air frais de pénétrer dans l'habitation pendant que de l'air est expulsé hors de l'édifice. En fonctionnant ainsi, le clapet offre deux avantages pour l'habitation :

- Il facilite l'échange d'air entre l'intérieur et l'extérieur en permettant à de l'air frais d'entrer à l'intérieur pour remplacer l'air évacué.
- En laissant pénétrer de l'air frais dans l'habitation lorsqu'un appareil d'évacuation compatible est mis en marche, le clapet contribue à éviter qu'une pression négative s'exerce et nuise au bon fonctionnement des appareils de combustion situés dans la maison.

Bref, le clapet permet à votre hotte de fonctionner avec plus d'efficacité et sans nuire au fonctionnement adéquat des autres systèmes de la maison.

2. De quel clapet automatique d'air de compensation ai-je besoin?

La quantité requise d'air de compensation varie d'une habitation à l'autre et en fonction du volume du système d'évacuation. En règle générale, Zephyr recommande de déterminer la taille du clapet comme suit :

- Un clapet de 15 cm (6 po) pour une ventilation allant jusqu'à 600 pi³/m
- Un clapet de 20 cm (8 po) pour une ventilation allant jusqu'à 1000 pi³/m
- Un clapet de 25 cm (10 po) pour une ventilation allant jusqu'à 1200 pi³/m

Toutefois, Zephyr recommande fortement de consulter un spécialiste du chauffage après l'installation pour garantir que la hotte n'exerce aucune pression négative dans la maison lorsqu'elle est en marche. En cas de pression négative, un autre clapet d'air de compensation doit être ajouté.

3. Est-ce que le « clapet » fournit de l'air aux appareils à combustion comme un chauffe-eau ou un appareil de chauffage?

Non. Le clapet aide à remplacer l'air évacué par une hotte compatible. Il ne contribue PAS à remplacer l'air tiré de l'intérieur par un appareil à combustion comme un chauffe-eau au gaz naturel et il ne faut pas lui conférer cette fonction. Cette restriction se justifie principalement parce que le clapet ne s'ouvre que si la hotte à laquelle il est connecté est mise en marche. Il n'y a donc rien qui garantit que le clapet soit ouvert lorsqu'un autre appareil, tel qu'un chauffe-eau, est en marche. Il faut faire appel à d'autres moyens pour assurer une alimentation d'air de combustion adéquate à ces appareils.

4. Comment puis-je savoir si une hotte nécessite un apport d'air de compensation?

Dans certains cas, le code du bâtiment stipule que cet apport d'air est nécessaire. Par exemple, certains codes stipulent que les hottes ayant

un débit de 300 pieds cubes par minute (pi³/m) ou plus exigent un dispositif mécanique d'apport d'air de compensation. Dans d'autres cas, l'air de compensation est souhaitable même si le code ne l'exige pas. Particulièrement lorsque :

- il s'agit d'une grande hotte (de plus de 300 pi³/m)
- la maison est très étanche
- la maison comporte des appareils à combustion ventilés par l'atmosphère (par ex., chauffe-eau ou foyer à tirage naturel), qui sont plus susceptibles d'être mal ventilés si la maison subit une dépressurisation. Dans les maisons présentant l'un ou l'autre de ces facteurs, l'air de compensation est conseillé. Et dans les maisons présentant plusieurs de ces situations, l'air de compensation pour la hotte est fortement conseillé.

5. Quels avantages y a-t-il à fournir de l'air de compensation pour remplacer l'air évacué à l'extérieur par une hotte de cuisine?

Les hottes de cuisine sont conçues pour aspirer les polluants comme les odeurs et vapeurs de cuisson à la source, afin qu'elles ne stagnent pas dans la maison. Puisque ces ventilateurs évacuent l'air de la maison, celui-ci doit être remplacé par de l'air « neuf » de l'extérieur. Normalement, cet air de compensation entre dans l'habitation par les ouvertures et les fentes de « l'enveloppe » de l'édifice. Or, les maisons modernes sont beaucoup plus étanches et ne présentent plus autant de fentes et d'ouvertures. De plus, certains ventilateurs comme ceux des grandes hottes évacuent beaucoup plus d'air que celui pouvant être remplacé par les fentes et les fissures de l'enceinte de la maison. Le fait de créer délibérément un passage pour l'air frais afin de remplacer l'air évacué par la hotte présente plusieurs avantages importants :

- L'air de compensation qui pénètre dans la maison le fait à un endroit connu, ce qui permet de le filtrer
- On évite les situations de pression négative qui découlent de l'évacuation de l'air de l'habitation sans le remplacer par de l'air frais
- Les polluants sont évacués hors de la maison avec plus d'efficacité, alors que l'air frais de remplacement est tiré dans la maison, ce qui améliore la ventilation

6. Est-ce que la norme ASHRAE 62.2-2007 – « Ventilation et qualité d'air intérieur acceptable dans les constructions résidentielles basses » – exige l'utilisation d'un clapet d'air de compensation?

La norme ASHRAE 62.2-2007 n'exige pas spécifiquement le recours aux clapets d'air de compensation. Ce n'est que dans quelques circonstances que cette norme exige de limiter le débit d'évacuation nette de l'air de l'habitation. Par exemple, à la Section 6.4, la norme limite le débit d'évacuation nette d'une maison à deux grands appareils d'évacuation si ceux-ci sont ventilés par l'atmosphère ou s'il s'agit de brûleurs à combustible solide situés à l'intérieur de l'enceinte pressurisée de l'habitation. Cette norme peut être consultée à www.ashrae.org.

7. Puis-je utiliser le Clapet automatique d'air de compensation Zephyr avec d'autres appareils de mon habitation?

Non. Le Clapet automatique d'air de compensation Zephyr ne s'utilise qu'avec les hottes Zephyr compatibles de plus de 400 pi³/m.

8. De quelles façons puis-je installer ce clapet dans ma maison?

La façon la plus courante d'installer le clapet est de le raccorder au système de conduit central. Dans cette application, l'air frais extérieur pénètre dans la maison par le clapet, puis est distribué dans la maison par les conduits.

9. Que se passe-t-il après une panne de courant?

Le système de clapet et les appareils d'évacuation qui lui sont associés conserveront leur configuration après une panne d'électricité. Il reprendra ainsi son fonctionnement normal une fois le courant rétabli, tel que configuré avant la panne.

REMARQUES
