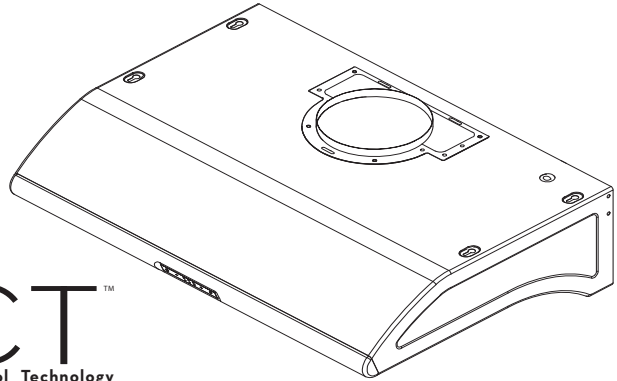


Use, Care, and Installation Guide

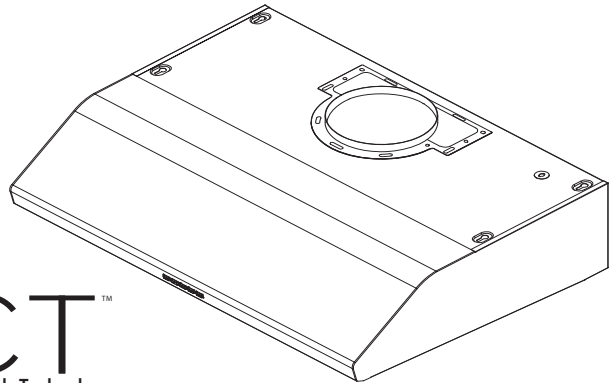
Typhoon

AK2100BS, B,W
AK2136BS, B,W
AK2142BS
AK2148BS



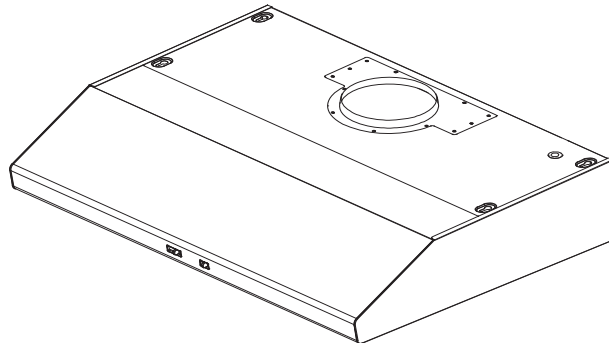
Hurricane

AK2500BS, B, W
AK2536BS, B,W



Cyclone

AK6500BS, B, BS, W
AK6536BS, B, BS, W
AK6542BS



Model number: _____
Serial Number: _____
Date of Purchase: _____
Sales Dealer: _____



SAFETY NOTICE 4-5

LIST OF MATERIALS..... 6

INSTALLATION

 Ductwork Calculation Sheet..... 7

 Mounting Height & Clearance..... 8

 Ducting Options 9

 Specifications 10-12

 3-1/4"x10" Rectangular Ducting Preparation... 13-14

 Preparing Electrical..... 15

 Mounting the Range Hood..... 16

CONTROLS & ACT CFM VERIFICATION

 AK21 Capacitive Touch 17

 AK25 Electronic Touch..... 18

 AK65 Mechanical Slide 19

MAINTENANCE

 Self Cleaning..... 20

 Surface Maintenance and Lights..... 21

TROUBLESHOOTING..... 22

WIRING DIAGRAMS..... 23

LIST OF PARTS AND ACCESSORIES 24

WARRANTY..... 25

PRODUCT REGISTRATION..... 26

READ AND SAVE THESE INSTRUCTIONS

WARNING

TO REDUCE THE RISK OF FIRE OR ELECTRIC SHOCK, DO NOT USE THIS FAN WITH ANY SOLID-STATE CONTROL DEVICE.

WARNING

TO REDUCE THE RISK OF FIRE ELECTRIC SHOCK, OR INJURY TO PERSONS, OBSERVE THE FOLLOWING:

- a. Use this unit only in the manner intended by the manufacturer, if you have questions, contact the manufacturer.
- b. Before servicing or cleaning unit, switch power off at service panel and lock panel to prevent power from being switched on accidentally. When the service disconnecting means cannot be locked, securely fasten a prominent warning device, such as a tag, to the service panel.

CAUTION

For general ventilating use only. Do not use to exhaust hazardous or explosive materials and vapors. Take care when using cleaning agents or detergents. Suitable for use in household cooking area.

WARNING

TO REDUCE THE RISK OF RANGE TOP GREASE FIRE:

- a. Never leave surface units unattended at high settings. Boilovers cause smoking and greasy spillovers that may ignite. Heat oils slowly on low or medium settings.
- b. Always turn hood ON when cooking at high heat or when flaming food
- c. Clean ventilating fans frequently. Grease should not be allowed to accumulate on fan or filter.
- d. Use proper pan size. Always use cookware appropriate for the size of the surface element.
- e. Keep fan, filters and grease laden surfaces clean.
- f. Use high setting on hood only when necessary.
- g. Don't leave hood unattended when cooking.
- h. Always use cookware and utensils appropriate for the type of and amount of food being prepared.

WARNING

TO REDUCE THE RISK OF INJURY TO PERSONS IN THE EVENT OF A RANGE TOP FIRE, OBSERVE THE FOLLOWING:

- a. SMOTHER FLAMES with a close-fitting lid, cookie sheet, or metal tray, then turn off the burner. BE CAREFUL TO PREVENT BURNS. If the flames do not go out immediately, EVACUATE AND CALL THE FIRE DEPARTMENT.
- b. NEVER PICK UP A FLAMING PAN – You may be burned.
- c. DO NOT USE WATER, including wet dishcloths or towels – a violent steam explosion will result.
- d. Use an extinguisher ONLY if:
 - 1. You know you have a Class ABC extinguisher, and you already know how to operate it.
 - 2. The fire is small and contained in the area where it started.
 - 3. The fire department is being called.
 - 4. You can fight the fire with your back to an exit

WARNING

TO REDUCE THE RISK OF FIRE, ELECTRIC SHOCK OR INJURY TO PERSONS, OBSERVE THE FOLLOWING:

- a. Installation work and electrical wiring must be done by qualified person(s) in accordance with all applicable codes and standards. Including fire-rated construction.
- b. Sufficient air is needed for power combustion and exhausting of gases through the flue (chimney) of fuel burning equipment to prevent back-drafting. Follow the heating equipment manufacturer's guideline and safety standards such as those published by the National Fire Protection Association (NFPA) and the American Society for Heating, Refrigeration and Air Conditioning Engineers (ASHRAE) and the local code authorities.
- c. When cutting or drilling into wall or ceiling, do not damage electrical wiring and other hidden utilities.
- d. Ducted fans must always vent to the outdoors.
- e. NEVER place a switch where it can be reached from a tub or shower.
- f. Make sure the power is off before installing, wiring or maintenancing.

WARNING

TO REDUCE THE RISK OF FIRE, USE ONLY METAL DUCTWORK.
NOT FOR USE IN OUTDOOR COOKING ENVIRONMENTS.

CAUTION

To reduce risk of fire and to properly exhaust air outside - Do not vent exhaust air into spaces within walls, ceilings, attics, crawl spaces or garages.

OPERATION

Always leave safety grilles and filters in place. Without these components, operating blowers could catch onto hair, fingers and loose clothing.

The manufacturer declines all responsibility in the event of failure to observe the instructions given here for installation, maintenance and suitable use of the product. The manufacturer further declines all responsibility for injury due to negligence and the warranty of the unit automatically expires due to improper maintenance.

***NOTE: Please check www.zephyronline.com for revisions before doing any custom work.**

ELECTRICAL REQUIREMENTS

Important:

Observe all governing codes and ordinances.

It is the customer's responsibility:

- To contact a qualified electrical installer.
- To assure that the electrical installation is adequate and in conformance with National Electrical Code, ANSI/NFPA 70 latest edition* or CSA standards C22.1-94, Canadian Electrical Code, Part 1 and C22.2 No.0-M91 - latest edition** and all local codes and ordinances.

If codes permit and a separate ground wire is used, it is recommended that a qualified electrician determine that the ground path is adequate.

Do not ground to a gas pipe.

Check with a qualified electrician if you are not sure the range hood is properly grounded.

Do not have a fuse in the neutral or ground circuit.

*National Fire Protection Association Batterymarch Park, Quincy, Massachusetts 02269

** CSA International 8501 East Pleasant Valley Road, Cleveland, Ohio 44131-5575

This appliance requires a 120V 60Hz electrical supply and connected to an individual properly grounded branch circuit protected by a 15 or 20 ampere circuit breaker or time delay fuse. Wiring must be 2 wire with ground. Please also refer to Electrical Diagram on product.

A cable locking connector (not supplied) might also be required by local codes. Check with local requirements, purchase and install appropriate connector if necessary.

List of Materials

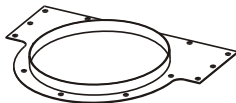
MODELS: AK21xxBx, AK25xxBx, AK65xxBx

PARTS SUPPLIED

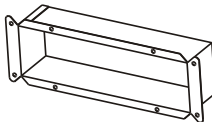
- 1 - Hood body
- 2 - Safety grilles
- 2 - Halogen light bulbs (35W, pre-installed)
- 1 - Hardware package

INCLUDED HARDWARE

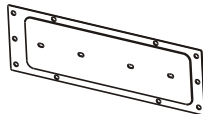
7" Round transition adapter (AK21, AK25)
 6" Round transition adapter (AK65)
 (pre-installed on top of hood)



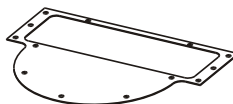
3-1/4"x10" rectangular starting collar



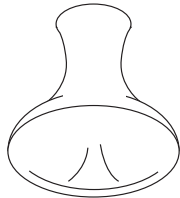
3-1/4"x10" rectangular cover plate
 (pre-installed on back of hood)



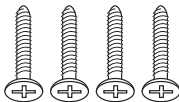
3-1/4"x10" rectangular vertical transition adapter



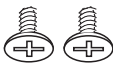
Suction Cup (1)



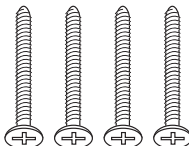
M6 x 1" (4)



Safety Grille
 Screws (2)
 (Pre-Installed)



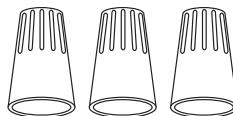
M6 x 1-1/2" (4)



Washer (4)



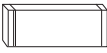
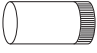
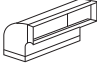
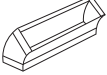

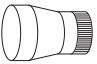
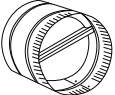


Wire Caps (3)



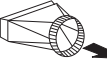
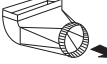

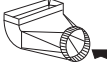
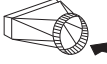
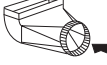

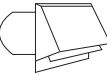

PARTS NOT SUPPLIED

- Ducting, conduit and all installation tools
- Backdraft damper
- Philips head screwdriver with minimum 8" long shaft (required to install AK2100)
- Cable lock (if required by local codes)

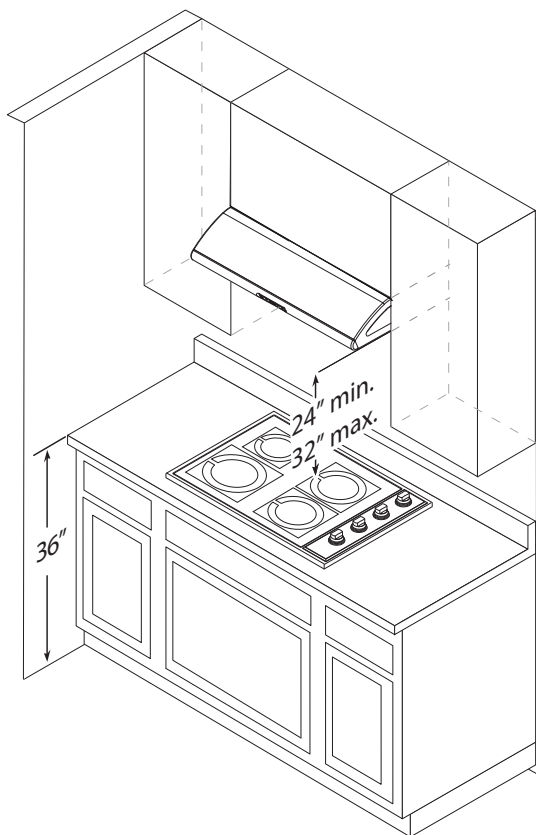
Installation – Ductwork Calculation Sheet

Duct pieces		Equivalent number length x used =	Total
	3-1/4" x 10" Rect., straight	1 Ft. x () =	Ft.
	6", 7", 8", 10" Round, straight	1 Ft. x () =	Ft.
	3-1/4" x 10" Rect. 90° elbow	15 Ft. x () =	Ft.
	3-1/4" x 10" Rect. 45° elbow	9 Ft. x () =	Ft.
	3-1/4" x 10" Rect. 90° flat elbow	24 Ft. x () =	Ft.
	7" to 6" or 8" to 7" Round tapered reducer	25 Ft. x () =	Ft.
	6", 7", 8" Round in-line damper	15 Ft. x () =	Ft.
	6", 7", 8", 10" Round, 90° elbow	15 Ft. x () =	Ft.
	6", 7", 8", 10" Round, 45° elbow	9 Ft. x () =	Ft.
Subtotal column 1 =			Ft.

Maximum Duct Length: For satisfactory air movement, the total duct length should not exceed 100 equivalent feet.

Duct pieces		Equivalent number length x used =	Total
	3-1/4" x 10" Rect. to 6" round transition	5 Ft. x () =	Ft.
	3-1/4" x 10" Rect. to 6" round transition 90° elbow	20 Ft. x () =	Ft.
	6" round to 3-1/4" x 10" rect. transition	1 Ft. x () =	Ft.
	6" round to 3-1/4" x 10" rect. transition 90° elbow	16 Ft. x () =	Ft.
	7" round to 3 1/4" x 10" rect. transition	8 Ft. x () =	Ft.
	7" round to 3-1/4" x 10" rect. transition 90° elbow	23 Ft. x () =	Ft.
	3-1/4" x 10" Rect. wall cap with damper	30 Ft. x () =	Ft.
	6", 7", 8", 10" Round, wall cap with damper	30 Ft. x () =	Ft.
	6", 7", 8", 10" Round roof cap	30 Ft. x () =	Ft.
Subtotal column 2 =			Ft.
Subtotal column 1 =			Ft.
Total ductwork =			Ft.

Installation – Mounting Height & Clearance



DUCTING

A minimum of 6" round for AK65 and 7" round for AK21 and AK25 or 3-1/4" x 10" rectangular duct must be used to maintain maximum air flow efficiency.

Always use rigid type metal ducts only. Flexible ducts could restrict air flow by up to 50%.

Also use calculation (on page 7) to compute total available duct run when using elbows, transitions and caps.

ALWAYS, when possible, reduce the number or transitions and turns. If long duct run is required, increase duct size from 6" to 7" or 7" to 8".

If turns or transitions are required; install as far away from hood duct output and as far apart, between the two as possible.

Minimum mounting height between range top to hood bottom should be no less than 24".

Maximum mounting height should be no higher than 32".

It is important to install the hood at the proper mounting height. Hoods mounted too low could result in heat damage and fire hazard; while hoods mounted too high will be hard to reach and will lose its performance and efficiency.

If available, also refer range manufacturer's height clearance requirements and recommended hood mounting height above range.

Vertical Ducting:

- 6" round minimum (AK65)
- 7" round minimum (AK21, AK25)
- 3-1/4" x 10" rectangular minimum

Horizontal Ducting:

- 3-1/4"x10" rectangular minimum

DAMAGE-SHIPMENT / INSTALLATION:

- Please fully inspect unit for damage before installation.
- If the unit is damaged in shipment, return the unit to the store in which it was bought for repair or replacement.
- If the unit is damaged by the customer, repair or replacement is the responsibility of the customer.
- If the unit is damaged by the installer (if other than the customer), repair or replacement must be made by arrangement between customer and installer.

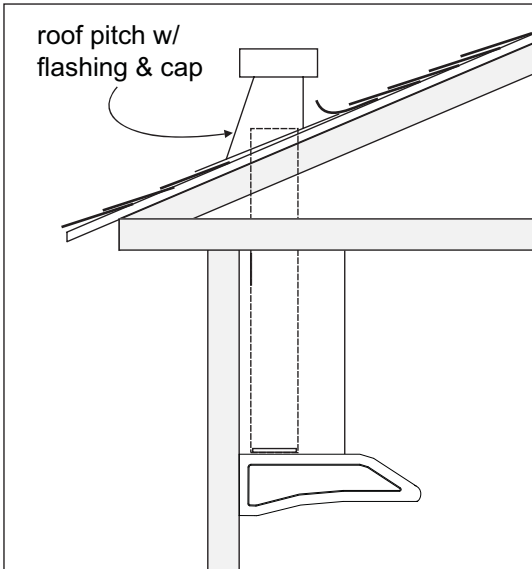
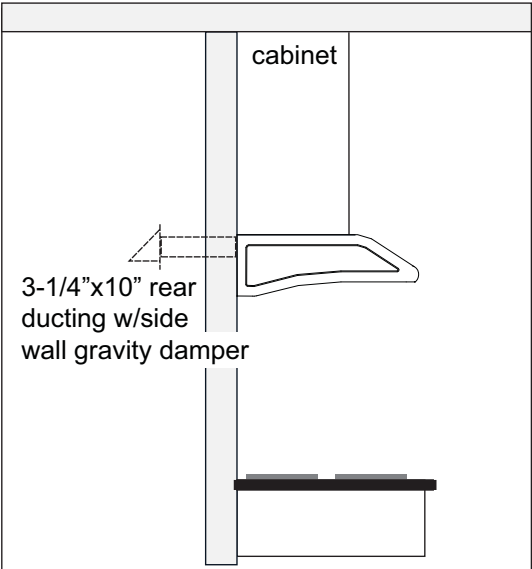
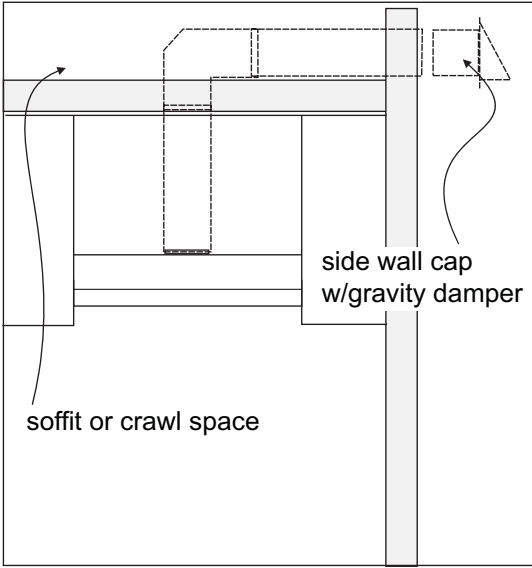
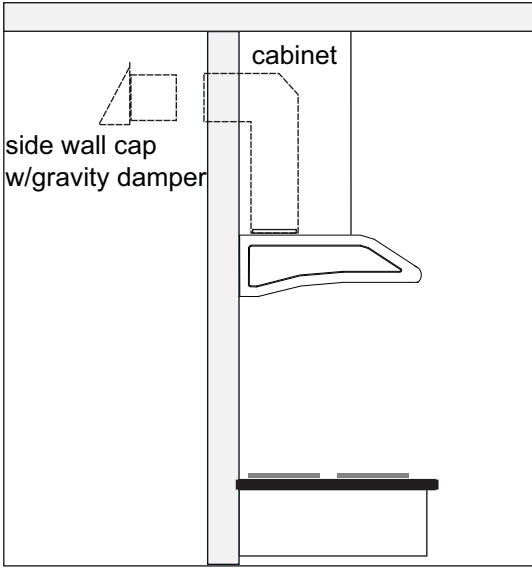
WARNING FIRE HAZARD

NEVER exhaust air or terminate duct work into spaces between walls, crawl spaces, ceiling, attics or garages. All exhaust must be ducted to the outside.

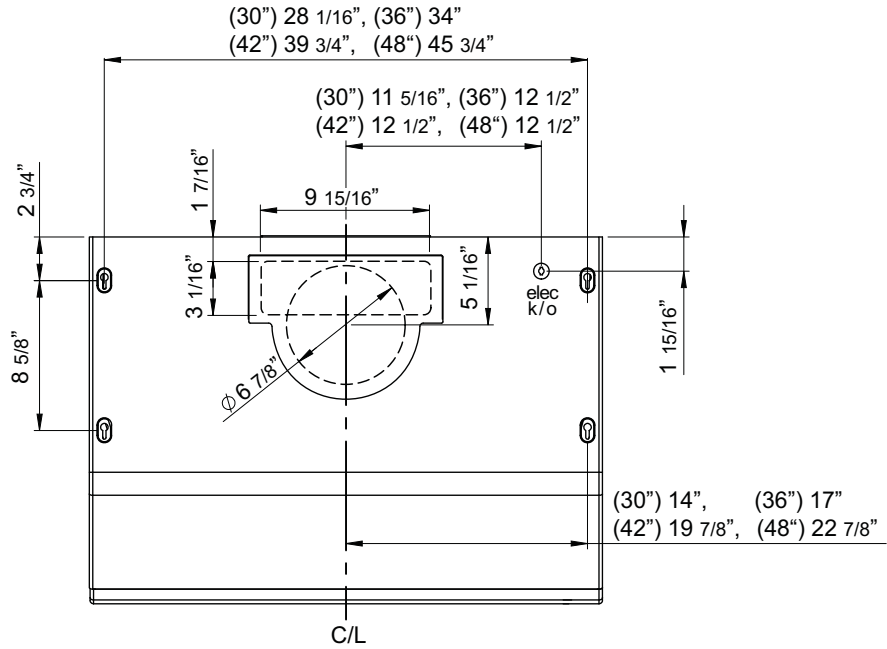
Use metal ductwork only.

Fasten all connections with sheet metal screws and tape all joints with certified Silver Tape or Duct Tape.

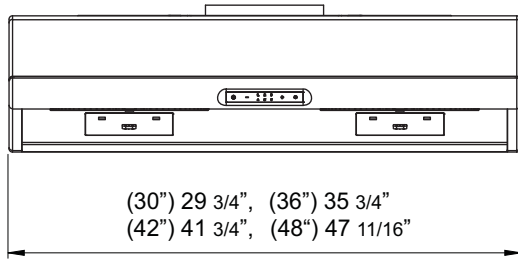
Some Ducting Options



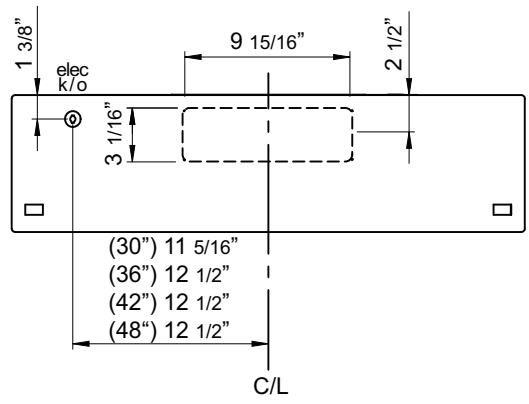
Installation – AK21 Specifications



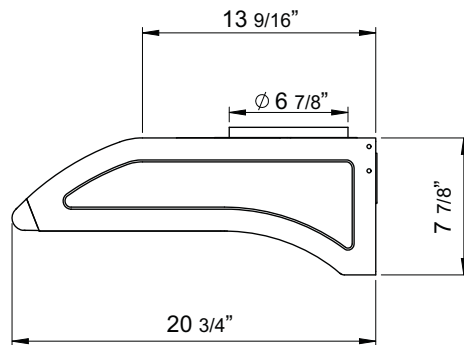
TOP



FRONT

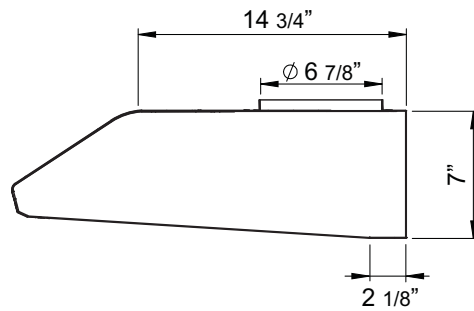
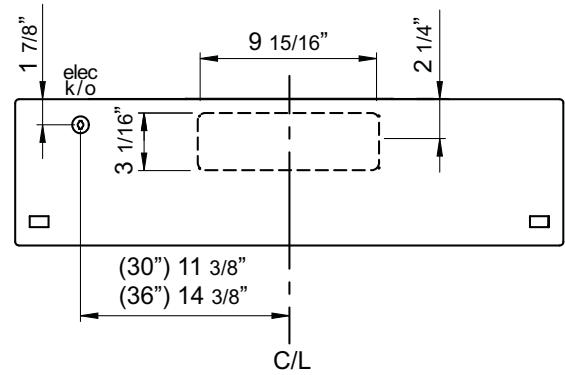
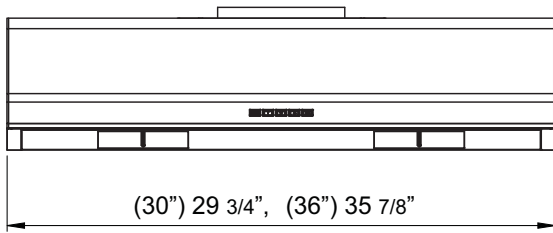
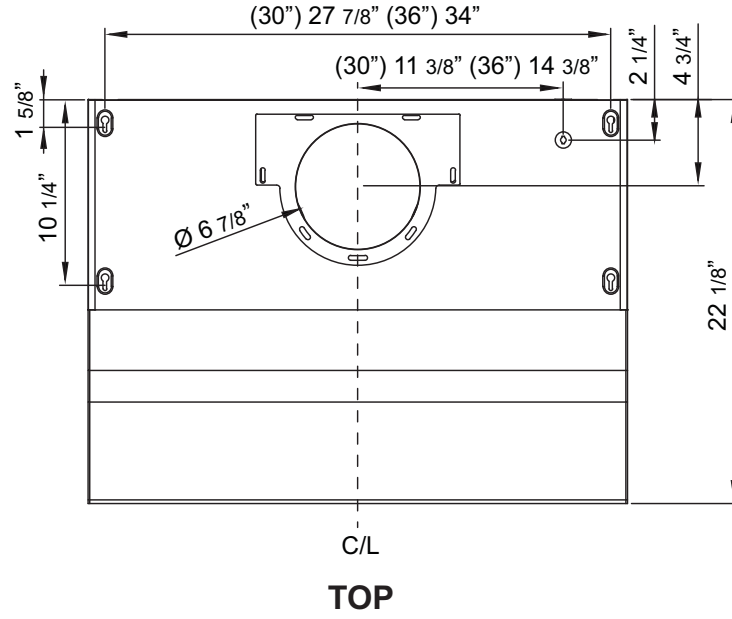


BACK

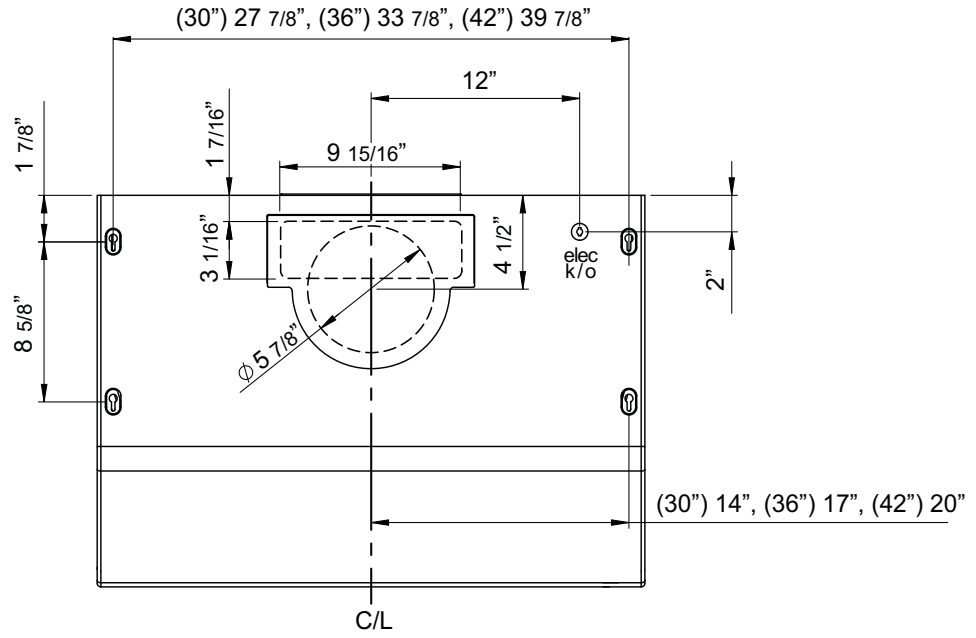


SIDE

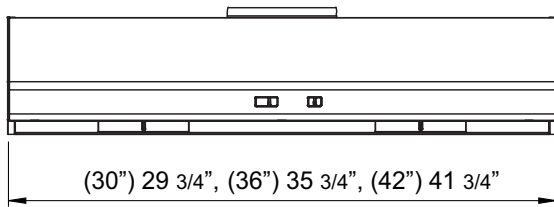
Installation – AK25 Specifications



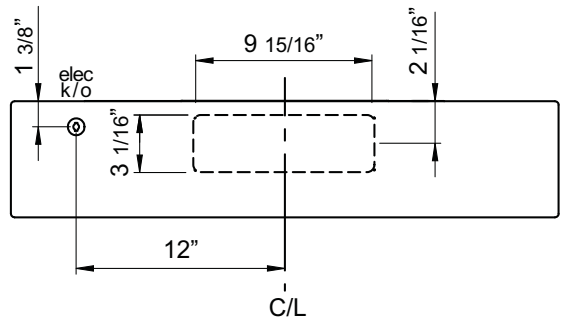
Installation – AK65 Specifications



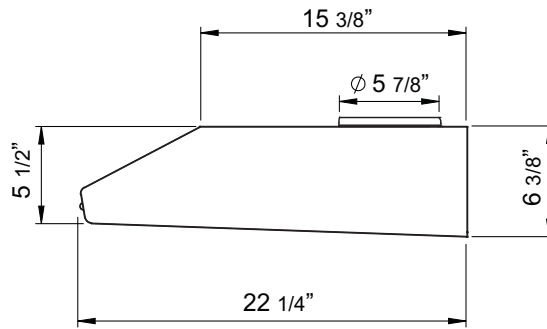
TOP



FRONT



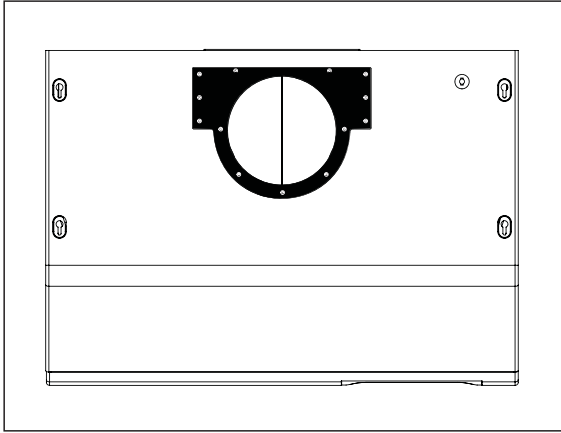
BACK



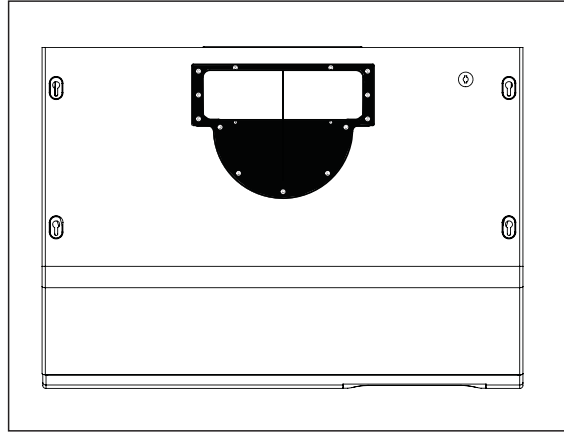
SIDE

By default the Typhoon and Hurricane are pre-configured for 7" round vertical ducting.
By default the Cyclone is pre-configured for 6" round vertical ducting.

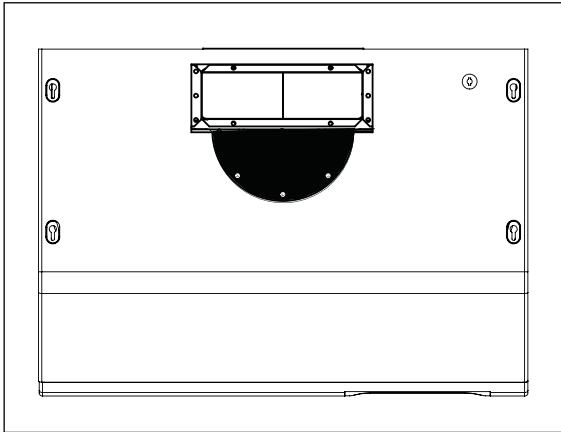
3-1/4"x10" Rectangular Vertical Ducting



1. Using a Philips-head screwdriver remove the screws and round vertical transition adapter from top of hood body.



2. Replace round vertical transition adapter with rectangular transition adapter. Do not secure to hood body yet.

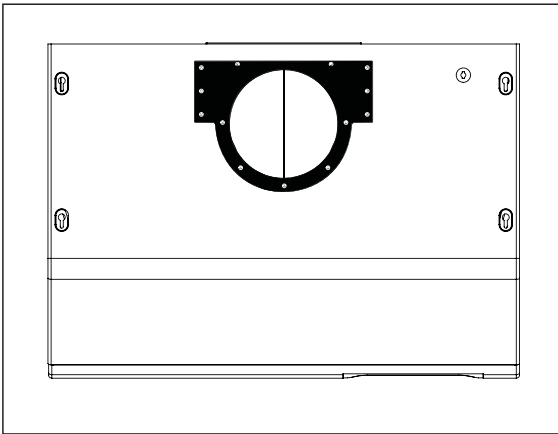


3. Place 3-1/4"x10" rectangular collar on top of rectangular transition adapter. Secure rectangular adapter and rectangular collar to hood body using the previously removed screws from step 1.

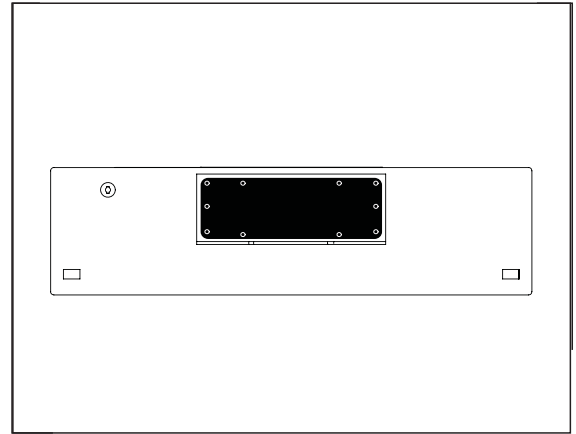
Installation – 3-1/4"x10" rectangular ducting preparation

By default the Typhoon and Hurricane are pre-configured for 7" round vertical ducting.
 By default the Cyclone is pre-configured for 6" round vertical ducting.

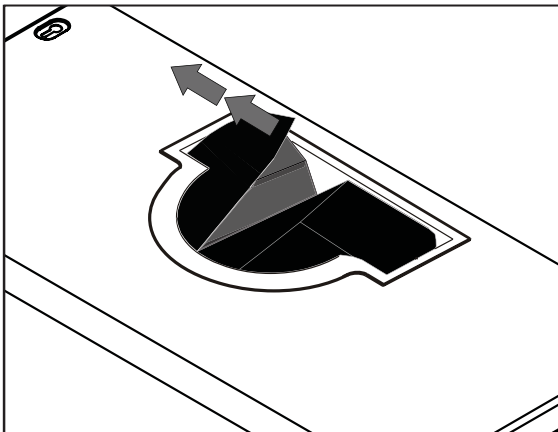
3-1/4"x10" Rectangular Horizontal Ducting



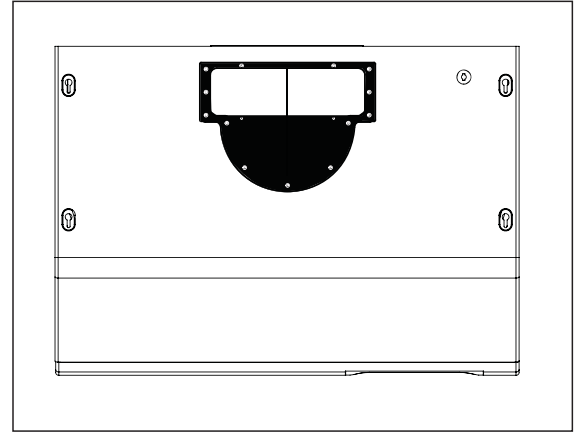
1. Using a Philips-head screwdriver remove the screws and round vertical transition adapter from the top of the hood.



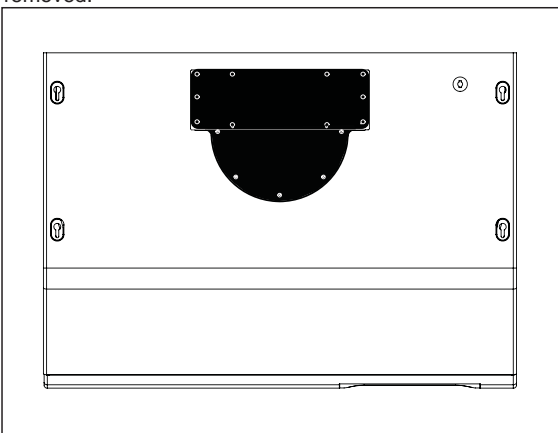
2. Using a Philips-head screwdriver, remove the screws and 3-1/4"x10" rectangular cover plate from back of hood.



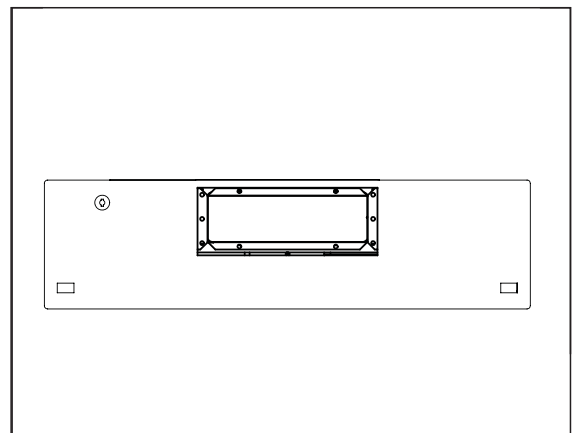
3. Typhoon ONLY. Remove the two plastic air diverter blocks. The blocks are located in the hood and can be accessed from the top when the round transition adapter is removed.



4. Replace round vertical transition adapter with rectangular transition adapter. Do not secure to hood body yet.



5. Place 3-1/4"x10" rectangular cover plate over the rectangular opening on top of hood from step 4. Secure rectangular transition adapter and cover plate to hood body using the previously removed screws from step 1.



6. Place 3-1/4"x10" rectangular collar on back of hood and secure using the screws that previously secured the rectangular cover plate.

**ELECTRICAL
WARNING**

All Electrical work must be performed by qualified electrician or person with similar technical knowledge and background.

For personal safety, remove house fuse or open circuit breaker before beginning installation. Do not use extension cord or adapter plug with this appliance.

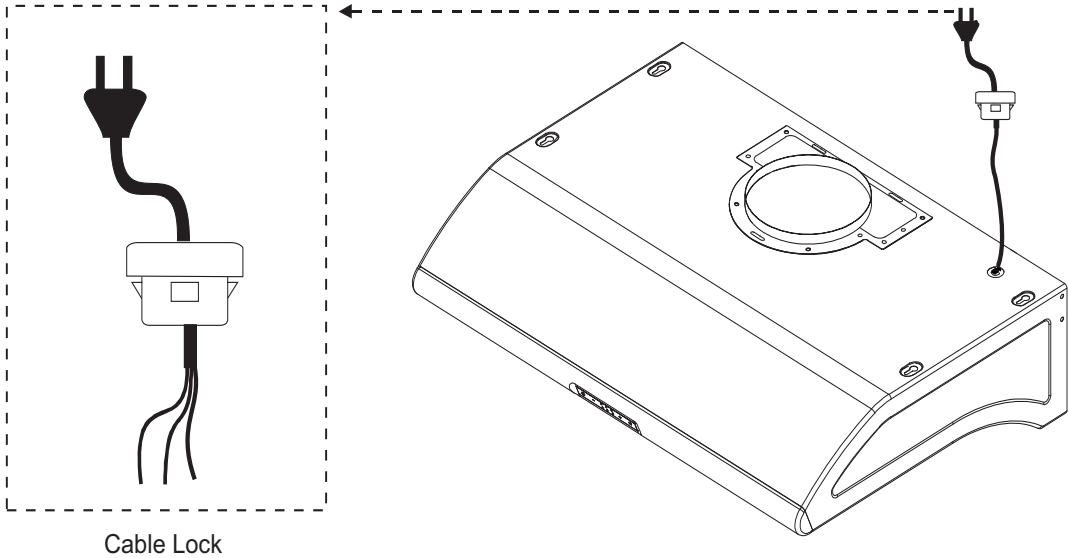
Follow national electrical codes or prevailing local codes and ordinances.

Electrical Supply:

This appliance requires a 120V 60Hz electrical supply, and connected to an individual, properly grounded branch circuit, protected by a 15 or 20 ampere circuit breaker or time delay fuse. Wiring must be 2 wire w/ ground. Please refer to Electrical Diagram labeled on product.

Cable Lock:

A cable locking connector (not supplied) might also be required by local codes. Check with local requirements and codes, purchase and install appropriate connector if necessary.



Installation – Mounting the Range Hood

Hood is designed for installation under a kitchen cabinet. See Fig. 1 for details.

1. Prepare duct location on hood (vertical or horizontal) Refer to Pages 11-12 for ducting options.
2. Measure and cut out duct and electrical openings in cabinet or wall to match up with the hood. Ducting and electrical dimensions can be found on Pages 10-12. **Note:** Make sure duct opening is large enough to apply aluminum duct tape.
3. Reinforce cabinet bottom with wood strips if additional strengthening is required or if cabinets are framed.
4. Remove bottom panel from hood using a Philips head screwdriver to remove each of the screws. Also disconnect lighting harness by pressing in on the clip to release the lights from the internal wiring. Use caution when removing bottom panel. Take care not to scratch side panels during removal.
5. Install (4) wood screws to cabinet bottom by following the installation screw hole dimensions on Page 10. These screws will be used to secure the hood to the cabinet.
6. Lift hood onto screws located on cabinet bottom and lock into place. Make sure all (4) key-holes cover the screws. Tighten each screw to secure hood to cabinet. **Note:** For 30" Typhoon models you will need an 8" - 10" long shaft for your screwdriver/drill to reach the front screws.
7. Install electrical.
8. Install duct work and seal with aluminum duct tape.
9. Power up hood and check for leaks around duct tape and test all functions.
10. Reinstall bottom panel and re-connect lighting harness. Use caution when installing bottom panel. Take care not to scratch side panels during installation.
11. Slide residue cups into their openings on the bottom of the hood. Install safety grilles over each blower opening and secure with the two safety grille screws.

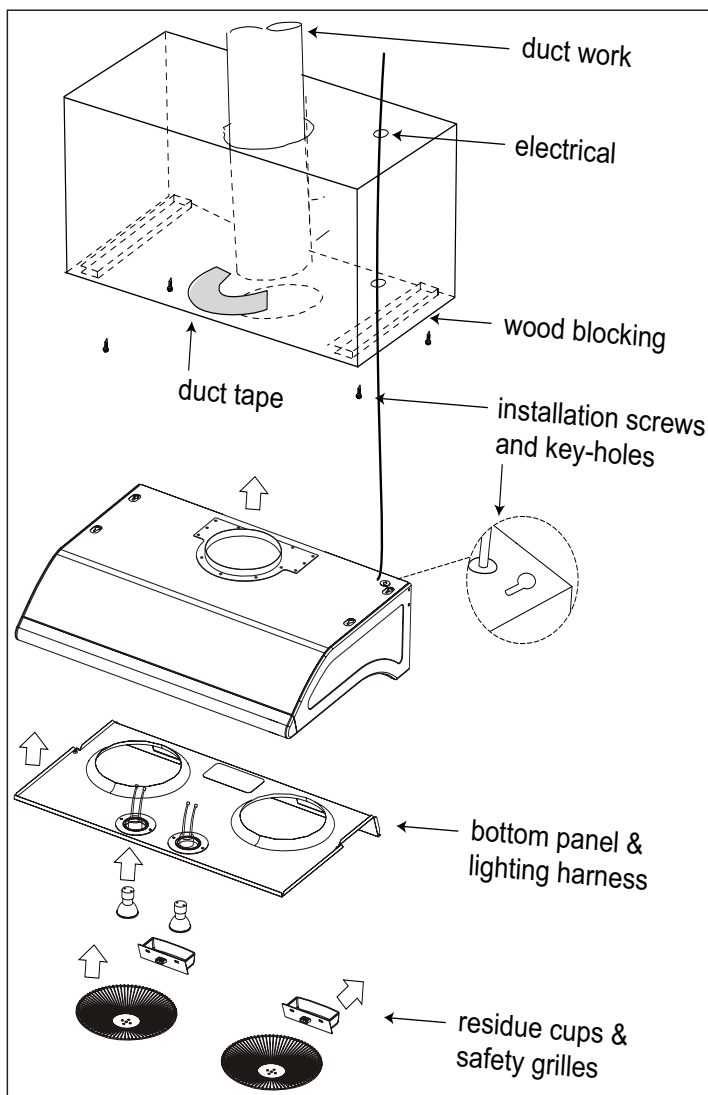
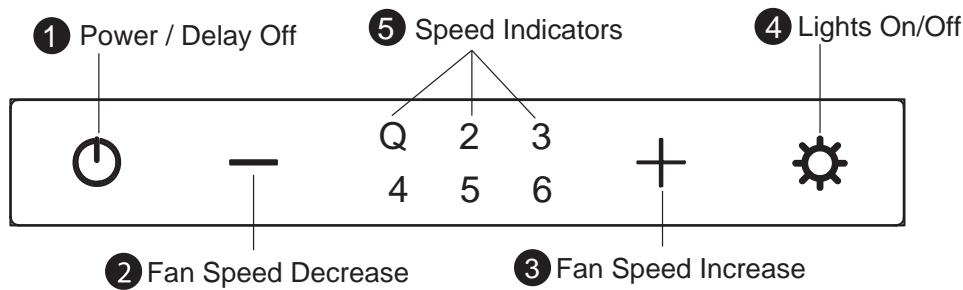


Fig 1



1 Power / Delay Off Button

- Button will turn power on and off for entire hood (fan and lights).
- Hood will remember the last speed and light level it was last turned off at.
(Example: Press button to turn off hood when on fan speed 3 and high lights. Press button again and the hood will turn back on at speed 3 and high lights.)

Delay Off

- With the fan on, press and hold the button for two seconds. The fan will change to speed Q and the 5 minute delay off timer will start.
- Speed indicators starting with level 5 will illuminate and blink in accordance with the time remaining until the fan and lights automatically turn off.
- Pressing button while delay off function is enabled will turn the hood off and cancel the delay off function.

ACT Verification

- Airflow Control Technology (ACT) allows the installer to set the maximum fan CFM to align with local codes and regulations.
- To verify the maximum fan CFM:
 - With hood off, hold the button for five seconds. If all speed level indicators illuminate = default maximum CFM. If speed Q, 2 & 3 level indicators illuminate = 390 maximum CFM. If speed Q & 2 level indicators illuminate = 290 maximum CFM

2 Fan Speed Decrease Button

- Press this button to decrease fan speed. 6, 5, 4, 3, 2, Q (Quiet).
- If fan is off, press this button to turn on fan at last speed it was turned off at.

3 Fan Speed Increase Button

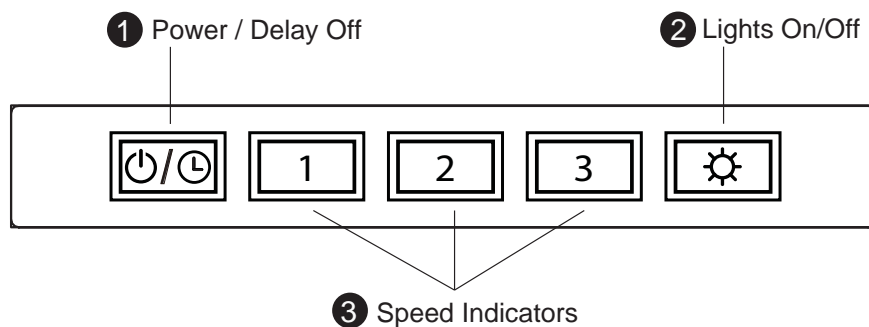
- Press this button to increase fan speed. Fan on, Q (Quiet), 2, 3, 4, 5, 6
- If fan is off, press this button to turn on fan at last speed it was turned off at.

4 Lights Button




- Lights are two levels, high and low.
- From off, press one time for high. Press again for low. Press again to power lights off.

5 Speed Level Indicators


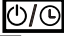

- Fan is six speed levels. Q (Quiet), 2, 3, 4, 5 and 6.



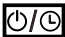
1 Power / Delay Off Button

-  Button will turn power on and off for entire hood (fan and lights.)
- Hood will remember the last speed and light level it was last turned off at.
(Example: Press  button to turn off hood when on fan speed 3 and high lights. Press  button again and the hood will turn back on at speed 3 and high lights.)

Delay Off

- With the fan on, press and hold the  button for two seconds. The fan will change to speed 1, the  button will blink on and off indicating the 5 minute delay off timer has started.
- Pressing  button while delay off function is enabled will turn the hood off and cancel the delay off function.

ACT Verification

- Airflow Control Technology (ACT) allows the installer to set the maximum fan CFM to align with local codes and regulations.
- To verify the maximum fan CFM:
 - With hood off, hold the  button for five seconds. If all three fan speed indicators illuminate = default maximum CFM. If speed level 1 and 2 indicators illuminate = 390 maximum CFM. If only speed level 1 indicator illuminates = 290 maximum CFM.

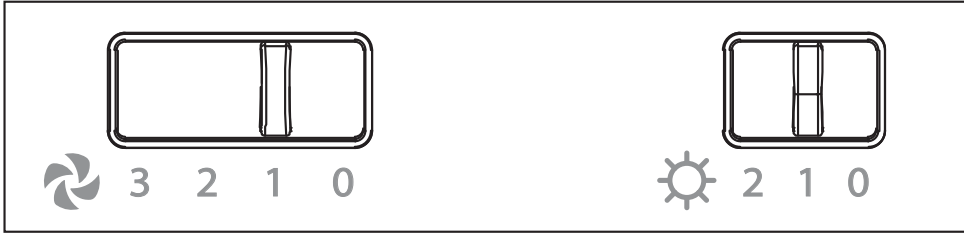
2 Lights Button

- Lights are two levels, high and low.
- From off, press one time for high. Press again for low. Press again to power lights off.

3 Speed Level Indicators

- Fan is three speed levels. 1 for low speed, 2 for medium speed, and 3 for high speed.

- ❶ Blower On/Off Speed Selection
- ❷ Lights Off/Dim/Bright



❶ BLOWER ON/OFF/SPEED SELECTION

0 is off, 1 is low speed, 2 is medium speed and 3 is high speed.

❷ LIGHTS OFF/DIM/BRIGHT

0 is off, 1 is dim, and 2 is bright.

* ACT (Airflow Control Technology) is not available on AK65

SELF CLEANING FEATURE

Zephyr Typhoon, Hurricane and Cyclone hoods are filter-less with a self cleaning feature. The centrifugal blower system automatically liquifies cooking residue in its internal housing. All hoods are equipped with dishwasher safe residue cups to collect cooking residue during the self cleaning function.

Cooking residues are often automatically liquified and can accumulate in the residue cups from everyday use. Nevertheless, grease from cooking could also dry and adhere to the internal housing. Running the self clean function periodically will flush out accumulated residue in the range hood's internal housing.

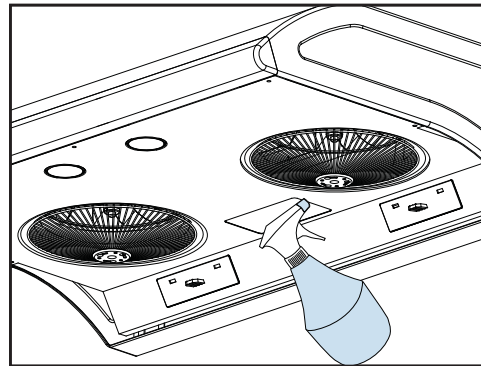
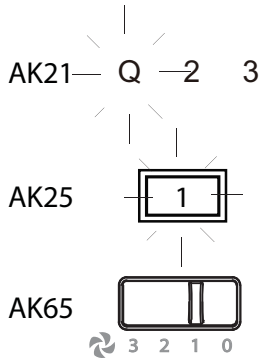
CLEANING FREQUENCY

Cleaning should be performed approximately once a month under normal usage of 1 hour per day. The hood may need to be cleaned more often if you cook heavily.

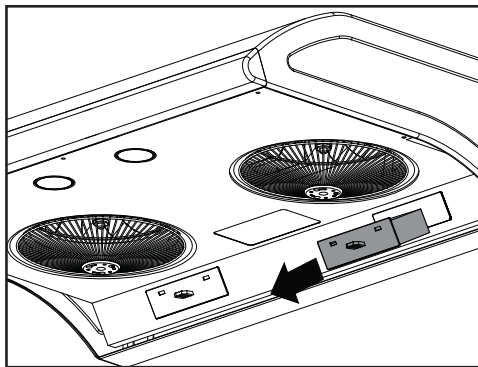
DETERGENT

Use a grease cutting detergent such as Simple Green or 409.

CLEANING INSTRUCTIONS



1) Power on blowers at Speed 1



2) With nozzle on "spray", squirt grease cutting detergent onto blower wheel blades 30 - 35 times. Repeat for each blower. Leave blower on for 10 minutes. Detergent will collect in the residue cups.

3) Remove residue cups. Clean residue cups and in dishwasher or clean by hand. Install residue cups after cleaning.

WARNING

Use extreme caution while cleaning the hood. Beware of blowers catching on to hair, loose clothing and fingers. NEVER leave children unattended.

SURFACE MAINTENANCE:

Do not use corrosive detergents, abrasive detergents or oven cleaners.
 Do not use any product containing chlorine bleach or any product containing chloride.
 Do not use steel wool or abrasive scrubbing pads which will scratch and damage surface.

Cleaning Stainless Steel

Clean periodically with warm soapy water and clean cotton cloth or micro fiber cloth. Always rub in the direction of the stainless steel grain. To remove heavier grease build up use a liquid degreaser detergent.

After cleaning use a non-abrasive stainless steel polish/cleaners, to polish and buff out the stainless luster and grain. Always scrub lightly, with clean cotton cloth or micro fiber cloth and buff in the direction of the stainless steel grain.

Cleaning Black Stainless Steel

Clean periodically with warm soapy water and clean cotton cloth or micro fiber cloth. To remove heavier grease build up use a liquid degreaser detergent.

Due to a built-in layer of protective anti-smudge coating, do not use stainless steel polish/cleaners to buff out black stainless steel.

REPLACING LIGHT BULBS

CAUTION: Light bulb becomes extremely hot when turned on.

DO NOT touch bulb until switched off and cooled. Touching hot bulbs could cause serious burns.

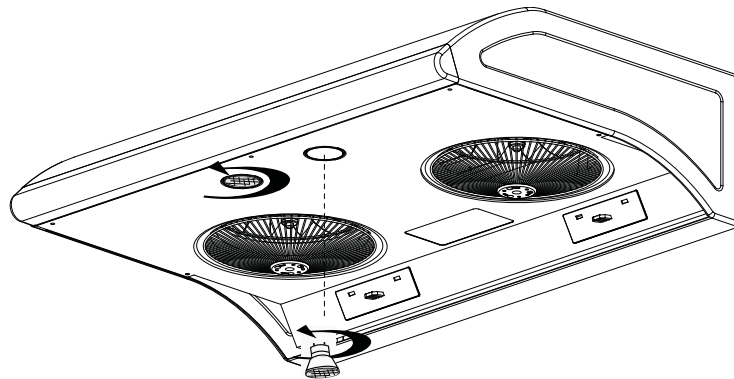
Make sure all power is turned off and bulbs are not hot.

Remove by turning bulb counter clockwise. **Note:** Bulb does not unscrew; it turns 60 degrees, stops and falls out.

If bulbs are difficult to turn due to prolonged use, firmly attach suction cup included in hardware package or use a rubber/latex glove and turn counter clockwise.

Replacement bulbs are available at specialty lighting stores. Purchase type MR16 (GU-10) 35W halogen.

For Zephyr part numbers please turn to page 24 of the manual.



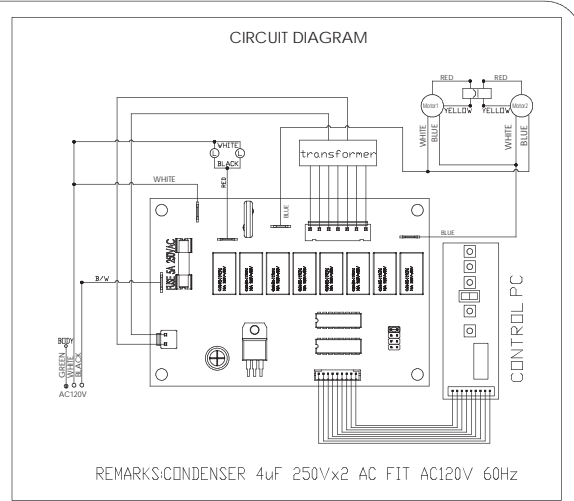
Troubleshooting

TROUBLESHOOTING PROCEDURES FOR TYPHOON, HURRICANE & CYCLONE

Issue	Cause	What to do
After installation, the unit doesn't work.	1. The power source is not turned ON.	1. Make sure the circuit breaker and the unit's power is ON.
	2. The power line and the cable locking connector is not connecting properly.	2. Check the power connection with the unit is connected properly.
	3. The switch board and control board wirings are disconnected.	3. Make sure the wirings between the switch board and control board are connected properly.
	4. The wires on control board are loose.	4. Make sure the wires on the control board are connected properly.
	5. The switch board or control board is defective.	5. Change the switch board or control board.
Light works, but blower is not turning.	1. The blower is defective, possible seized.	1. Change the blower.
	2. The thermally protected system detects if the blower is too hot to operate and shuts the blower down.	2. The blower will function properly after the thermally protected system cool down.
	3. Damaged capacitor.	3. Change the capacitor.
	4. The blower wire is not connected.	4. Make sure the blower wires are connected.
The unit is vibrating.	1. The blower is not secure in place.	1. Tighten the blower in place.
	2. Damaged blower wheel.	2. Change the blower wheel.
	3. The hood is not secured in place.	3. Check the installation of the hood.
The blower is working, but the lights are not.	1. Defective halogen bulb.	1. Change the halogen bulb.
	2. The light bulb is loose.	2. Tighten the light bulb.
	3. The light socket plug is disconnected.	3. Check the light socket plug.
The hood is not venting out properly.	1. The hood might be hanging too high from the cook top.	1. Adjust the distance between the cook top and the bottom of the hood within 24" and 32" range.
	2. The wind from the opened windows or opened doors in the surrounding area are affecting the ventilation of the hood.	2. Close all the windows and doors to eliminate the outside wind flow.
	3. Blockage in the duct opening or duct work.	3. Remove all the blocking from the duct work or duct opening.
	4. The direction of duct opening is against the wind.	4. Adjust the duct opening direction.
	5. Using the wrong size of ducting.	5. Change the ducting to correct size.
Safety grille is vibrating.	1. Safety grille is loose.	1. Tighten safety grille screw.

Model:	AK2100/36/42/48B
Voltage	120V 60Hz 3A
Power consumption	
Total:	285W
Lamp:	Max.35Wx2
Fan:	215W

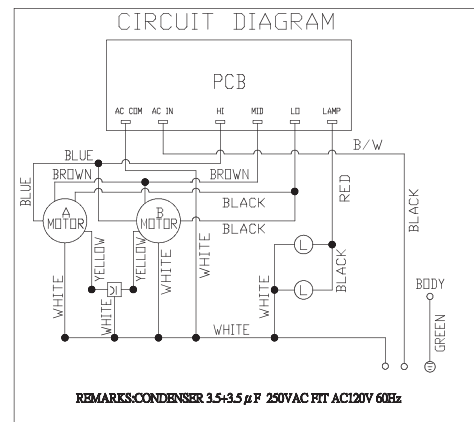
THERMALLY PROTECTED



Power consumption shown above for default 850 CFM blower configuration
 ACT 390 CFM - Fan Max. 160W @ 2.4A, ACT 290 CFM - Fan Max. 140W @ 2.2A

Model:	AK2500/36B
Voltage	120V 60HZ 2.4A
Power consumption	
Total:	230W
Lamp:	Max.35Wx2
Fan:	160W

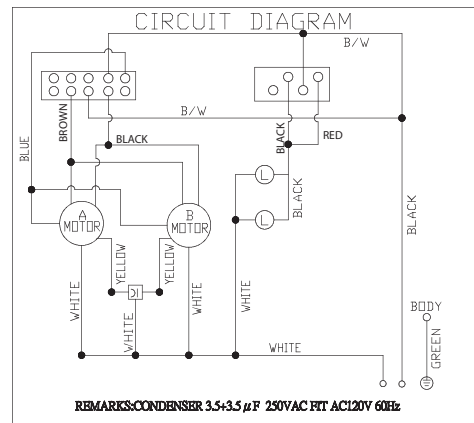
THERMALLY PROTECTED



Power consumption shown above for default 695 CFM blower configuration
 ACT 390 CFM - Fan Max. 140W @ 2.2A, ACT 290 CFM - Fan Max. 120W @ 2.1A

Model	AK6500/36/42B
Voltage	120V 60HZ 2.4A
Power consumption	
Total:	230W
Lamp:	Max.35Wx2
Fan:	160W

THERMALLY PROTECTED



List of Parts and Accessories

DESCRIPTION	PART #
Replacement Parts	
Light Bulb MR16 (GU10) 35W (each)	Z0B0023
Light Bulb Removal Suction Cup	15000004
Residue Cup (AK21)	56160003
Residue Cup (AK25 & AK65)	56160007
Safety Grill Stainless (AK21)	50220024
Safety Grill Black (AK21)	50220025
Safety Grill White (AK21)	50220026
Safety Grill Stainless (AK25 & AK65)	50220022
Safety Grill Black (AK25 & AK65)	50220027
Safety Grill White (AK25 & AK65)	50220023
Optional Accessories	
Bloom GU10 LED	Z0B0040
Make-Up Air Kit (AK21 & AK25)	MUA008A
Make-Up Air Kit (AK65)	MUA006A

To order parts, visit us online at <http://store.zephyronline.com> or call us at 1.888.880.8368



STAPLE YOUR RECEIPT HERE
Proof of the original purchase
date is needed to obtain
service under warranty

TO OBTAIN SERVICE UNDER WARRANTY OR FOR ANY SERVICE RELATED QUESTIONS, please call:
1-888-880-8368

Zephyr Ventilation, LLC (referred to herein as “we” or “us”) warrants to the original consumer purchaser (referred to herein as “you” or “your”) of Zephyr products (the “Products”) that such Products will be free from defects in materials or workmanship as follows:

Ten Year Limited Warranty for Parts: For ten years from the date of your original purchase of the Products, we will provide, free of charge, Products or parts (including LED light bulbs, if applicable) to replace those that failed due to manufacturing defects. We may choose, in our sole discretion, to repair or replace parts before we elect to replace the Products.

One Year Limited Warranty for Labor: For one year from the date of your original purchase of the Products, we will provide, free of charge, the labor cost associated with repairing the Products or parts to replace those that failed due to manufacturing defects. After the first year from the date of your original purchase, you are responsible for all labor costs associated with this warranty.

Warranty Exclusions: This warranty covers only repair or replacement, at our option, of defective Products or parts and does not cover any other costs related to the Products including but not limited to: (a) normal maintenance and service required for the Products and consumable parts such as fluorescent, incandescent or halogen light bulbs, mesh and charcoal filters and fuses; (b) any Products or parts which have been subject to freight damage, misuse, negligence, accident, faulty installation or installation contrary to recommended installation instructions, improper maintenance or repair (other than by us); (c) commercial use of the Products or use otherwise inconsistent with its intended purpose; (d) natural wear of the finish of the Products or wear caused by improper maintenance, use of corrosive and abrasive cleaning products, pads, and oven cleaner products; (e) chips, dents or cracks caused by abuse or misuse of the Products; (f) service trips to your home to teach you how to use the Products; (g) damage to the Products caused by accident, fire, floods, acts of God; or (h) Custom installations or alterations that impact serviceability of the Products. If you are outside our service area, additional charges may apply for shipping costs for warranty repair at our designated service locations and for the travel cost to have a service technician come to your home to repair, remove or reinstall the Products. After the first year from the date of your original purchase, you are also responsible for all labor costs associated with this warranty.

Limitations of Warranty. OUR OBLIGATION TO REPAIR OR REPLACE, AT OUR OPTION, SHALL BE YOUR SOLE AND EXCLUSIVE REMEDY UNDER THIS WARRANTY. WE SHALL NOT BE LIABLE FOR INCIDENTAL, CONSEQUENTIAL OR SPECIAL DAMAGES ARISING OUT OF OR IN CONNECTION WITH THE USE OR PERFORMANCE OF THE PRODUCTS. THE EXPRESS WARRANTIES IN THE PRECEDING SECTION ARE EXCLUSIVE AND IN LIEU OF ALL OTHER EXPRESS WARRANTIES. WE HEREBY DISCLAIM AND EXCLUDE ALL OTHER EXPRESS WARRANTIES FOR THE PRODUCTS, AND DISCLAIM AND EXCLUDE ALL WARRANTIES IMPLIED BY LAW, INCLUDING THOSE OF MERCHANTABILITY AND FITNESS FOR A PARTICULAR PURPOSE. Some states or provinces do not allow limitations on the duration of an implied warranty or the exclusion or limitation of incidental or consequential damages, so the above limitations or exclusions may not apply to you. To the extent that applicable law prohibits the exclusion of implied warranties, the duration of any applicable implied warranty is limited to the same ten-year period described above. Any oral or written description of the Products is for the sole purpose of identifying the Products and shall not be construed as an express warranty. Prior to using, implementing or permitting use of the Products, you shall determine the suitability of the Products for the intended use, and you shall assume all risk and liability whatsoever in connection with such determination. We reserve the right to use functionally equivalent refurbished or reconditioned parts or Products as warranty replacements or as part of warranty service. This warranty is not transferable from the original purchaser and applies in the United States and Canada.

To Obtain Service Under Limited Warranty: To qualify for warranty service, you must: (a) notify us at the address or telephone number stated below within 60 days of the discovery of the defect; (b) give the model number and part identification number and serial number; and (c) describe the nature of any defect in the Product or part. At the time of the request for warranty service, you must present evidence of your proof of purchase and proof of the original purchase date. If we determine that the warranty exclusions listed above apply or if you fail to provide the necessary documentation to obtain service, you will be responsible for all shipping, travel, labor and other costs related to the services.

Please check our website for any revisions, www.zephyronline.com.

Zephyr Ventilation Service Department, 2277 Harbor Bay Parkway, Alameda, CA 94502 1-888-880-8368

AUG14.0301

PRODUCT REGISTRATION

Congratulations on your Zephyr range hood purchase! Please take a moment to register your new range hood at www.zephyronline.com/registration

IT'S IMPORTANT

Prompt registration helps in more ways than one.

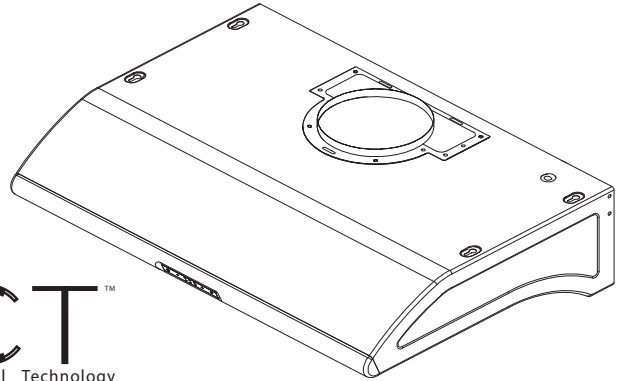
- Ensures warranty coverage should you need service.
- Ownership verification for insurance purposes.
- Notification of product changes or recalls.



Zephyr Ventilation | 2277 Harbor Bay Pkwy. | Alameda, CA 94502 | 1.888.880.8368

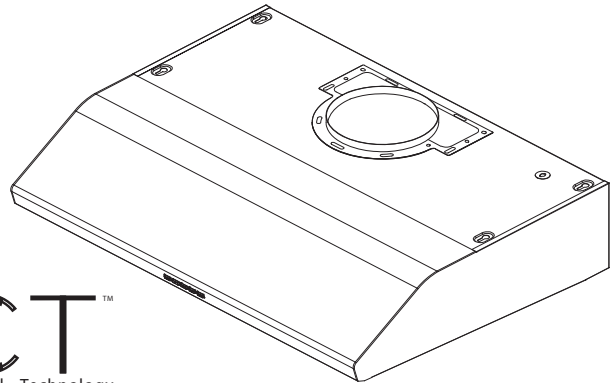
Typhoon

AK2100BS, B,W
 AK2136BS, B,W
 AK2142BS
 AK2148BS



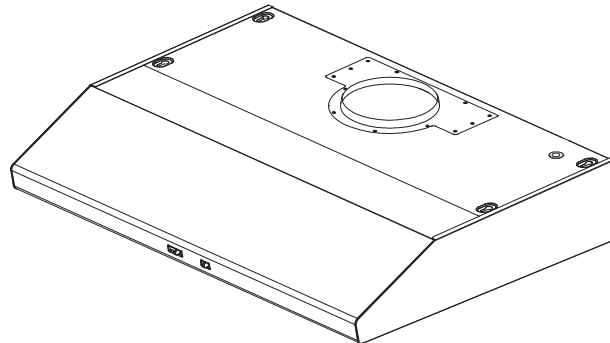
Hurricane

AK2500BS, B, W
 AK2536BS, B,W



Cyclone

AK6500BS, B,W
 AK6536BS, B,W
 AK6542BS



Numéro de modèle : _____
 Numéro de modèle : _____
 Date d'achat : _____
 Détaillant: _____



MISE EN GARDE DE SÉCURITÉ	4-5
LISTE DU MATÉRIEL	6
 INSTALLATION	
Feuille de calcul pour le conduit.....	7
Espace libre et hauteur de montage.....	8
Options d'installation pour le conduit.....	9
Spécifications de la hotte.....	10-12
Préparation du conduit rectangulaire 3-1/4" x 10".....	13-14
Préparation de l'électricité.....	15
Montage de la hotte.....	16
 COMMANDES ET VÉRIFICATION DE LA TCDA	
Touche capacitive AK21.....	17
Touche électronique AK25.....	18
Curseur mécanique AK65.....	19
 ENTRETIEN	
Autonettoyage.....	20
Entretien des surfaces et lumières.....	21
 DÉPANNAGE	
 SCHÉMA DE CÂBLAGE	
 LISTE DES PIÈCES ET ACCESSOIRES	
 GARANTIE	
 ENREGISTREMENT DU PRODUIT	

LISEZ ET CONSERVEZ CES INSTRUCTIONS

AVERTISSEMENT

POUR RÉDUIRE LES RISQUES D'INCENDIE OU DE DÉCHARGE ÉLECTRIQUE, N'UTILISEZ PAS CET APPAREIL AVEC UN TABLEAU DE COMMANDE À SEMI-CONDUCTEURS.

AVERTISSEMENT

POUR RÉDUIRE LES RISQUES D'INCENDIE, DE DÉCHARGE ÉLECTRIQUE OU DE BLESSURE, RESPECTEZ CES CONSIGNES :

- a. N'utilisez cet appareil que de la manière prévue par le fabricant. Si vous avez des questions, communiquez avec le fabricant.
- b. Avant de procéder au nettoyage ou à l'entretien de l'appareil, éteignez l'alimentation du panneau électrique et bloquez le dispositif de déconnexion pour éviter que l'alimentation électrique ne soit accidentellement rallumée. Si le dispositif de sectionnement d'électricité ne peut être bloqué, attachez un avertissement (comme une étiquette) bien en vue sur le tableau électrique.

ATTENTION

Pour ventilation générale seulement. N'utilisez pas cet appareil pour évacuer des vapeurs et des matériaux explosifs ou dangereux. Prenez garde lors de l'utilisation d'agents nettoyants ou de détergents. Ne devrait être utilisé que dans la cuisine de votre maison.

AVERTISSEMENT

POUR RÉDUIRE LES RISQUES DE FEU DE GRAISSE SUR LA SURFACE DE CUISSON :

- a. Ne laissez jamais l'appareil sans surveillance lors de son utilisation à haute température. Les débordements par bouillonnement causent de la fumée et des déversements de graisse qui peuvent prendre feu. Faites chauffer l'huile à des températures basses ou moyennes.
- b. Allumez toujours la hotte lorsque vous cuisinez à haute température ou que vous faites flamber des aliments.
- c. Nettoyez fréquemment les ventilateurs de la hotte. La graisse ne devrait jamais s'accumuler dans les ventilateurs ou les filtres.
- d. Utilisez des poêlons aux dimensions adéquates. Utilisez toujours une batterie de cuisine correspondant aux dimensions de l'élément.
- e. Assurez-vous que le ventilateur, les filtres et les surfaces où la graisse pourrait s'accumuler sont toujours propres.
- f. Utilisez le réglage haut de la hotte seulement lorsque nécessaire.
- g. Ne laissez pas la hotte sans surveillance lorsque vous cuisinez.
- h. Utilisez toujours une batterie de cuisine et des ustensiles convenant au type et à la quantité de nourriture que vous préparez.

AVERTISSEMENT

POUR RÉDUIRE LES RISQUES DE BLESSURE LORS D'UN INCENDIE SUR LA SURFACE DE CUISSON :

- a. ÉTOUFFEZ LES FLAMMES avec un couvercle, une plaque à biscuits ou un plateau de métal et éteignez ensuite le brûleur. PRENEZ GARDE AUX RISQUES DE BRÛLURE. Si les flammes ne disparaissent pas, ÉVACUEZ LES LIEUX ET APPELEZ LE SERVICE D'INCENDIE.
- b. NE PRENEZ JAMAIS UN POÊLON EN FEU – vous pourriez vous brûler.
- c. N'UTILISEZ PAS D'EAU, ou un linge à vaisselle mouillé – une violente explosion de vapeur s'ensuivra.
- d. Utilisez un extincteur SEULEMENT si :
 1. Vous savez que vous possédez un extincteur de classe ABC et vous savez vous en servir.
 2. Le feu est faible et ne s'est pas répandu depuis son point d'origine.
 3. Vous avez appelé le service d'incendie.
 4. Vous pouvez sortir facilement de l'endroit où vous combattez le feu.

AVERTISSEMENT

POUR RÉDUIRE LES RISQUES D'INCENDIE, DE DÉCHARGE ÉLECTRIQUE OU DE BLESSURE, SUIVEZ LES CONSIGNES SUIVANTES :

- a. Les travaux d'installation et de câblage électrique doivent être faits par une personne qualifiée selon les stipulations de tous les normes et standards en vigueur, dont les normes des constructions ayant une cote de résistance au feu.
- b. Pour prévenir les contre-explosions, une certaine quantité d'air est nécessaire pour la combustion et l'évacuation des gaz par le carneau (cheminée) de l'appareil de combustion. Respectez les directives du fabricant d'outillage de chauffage et les normes de sécurité comme celles publiées par la NFPA (Association nationale des services d'incendie), par la Société américaine des ingénieurs en chauffage, réfrigération et climatisation (ASHRAE) et par les normes des autorités locales.
- c. Lorsque vous coupez ou percez un mur ou un plafond, assurez-vous de ne pas endommager le câblage électrique ou toute autre installation technique dissimulée.
- d. Les ventilateurs canalisés doivent toujours évacuer l'air à l'extérieur
- e. N'installez JAMAIS un interrupteur à une distance atteignable depuis un bain ou une douche.
- f. Assurez-vous que l'alimentation électrique est éteinte avant de procéder à l'installation, au câblage ou à l'entretien de l'appareil.

ATTENTION

POUR RÉDUIRE LES RISQUES D'INCENDIE, N'UTILISEZ QUE DES CONDUITS D'AÉRATION EN MÉTAL. CET APPAREIL N'EST PAS CONÇU POUR ÊTRE UTILISÉ À L'EXTÉRIEUR.

ATTENTION

To reduce risk of fire and to properly exhaust air outside - Do not vent exhaust air into spaces within walls, ceilings, attics, crawl spaces or garages.

OPERATION

Pour réduire les risques d'incendie et pour évacuer l'air convenablement, assurez-vous de canaliser l'air à l'extérieur de la maison. N'installez pas l'échappement du conduit dans les espaces entre les murs, le plafond, le grenier, les vides sanitaires ou le garage.

FONCTIONNEMENT

Laissez toujours les grilles de sûreté et les filtres en place. Sans ces éléments, les ventilateurs en marche pourraient accrocher des cheveux, des doigts ou des vêtements amples.

Le fabricant se dégage de toute responsabilité dans les cas de non-respect des instructions transmises dans le présent manuel pour l'installation, l'entretien et l'utilisation adéquate du produit. Le fabricant se dégage également de toute responsabilité pour des blessures qui résulteraient de la négligence lors de l'utilisation. De plus, la garantie prend fin automatiquement lors de l'entretien inapproprié de l'appareil.

EXIGENCES ÉLECTRIQUES

Important:

Respectez tous les codes et règlements en vigueur.

Il est de la responsabilité du client de :

- Communiquer avec un installateur-électricien qualifié.
- S'assurer que l'installation électrique est adéquate et qu'elle respecte le Code national de l'électricité, la plus récente édition* du ANSI/NFPA 70 ou des normes du CSA C22.1-94, le Code canadien de l'électricité, section 1, la plus récente édition** du code C22.2 No.0-M91 ainsi que tous les codes et règlements en vigueur.

Si les codes permettent l'utilisation d'un fil de garde isolé et que vous en utilisez un, il est recommandé qu'un électricien qualifié détermine si le cheminement du fil est adéquat.

N'effectuez pas la mise à la terre à un tuyau de gaz.

Demandez à un électricien qualifié si vous n'êtes pas certain que la hotte a été mise à la terre adéquatement.

N'introduisez aucun fusible dans le circuit neutre ou de mise à la terre.

*National Fire Protection Association Batterymarch Park, Quincy, Massachusetts 02269

** CSA International 8501 East Pleasant Valley Road, Cleveland, Ohio 44131-5575

Cet appareil requiert une alimentation électrique de 120V 60 Hz. Il doit être connecté à un circuit terminal individuel dûment mis à la terre, protégé par un disjoncteur de circuit ou un fusible temporisé de 15 ou 20 ampères. Le câblage doit compter 2 fils avec mise à la terre. Veuillez vous référer au Diagramme électrique étiqueté sur l'appareil.

Un raccord de câble (non inclus) pourrait également être exigé par les normes et réglementations locales. Informez-vous des exigences et des normes locales. Achetez et installez le connecteur approprié si nécessaire.

Liste du matériel

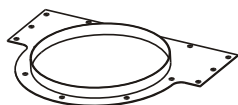
MODELS: AK21XXBX, AK25XXBX, AK65XXBX

PIÈCES FOURNIES

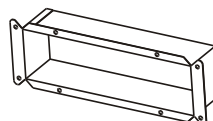
- 1 - Hotte
- 2 - Grilles de protection
- 2 - Ampoules halogènes (35 W, préinstallées)
- 1 - Trousse de quincaillerie

QUINCAILLERIE INCLUSE

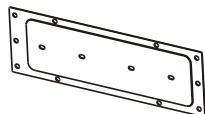
Adaptateur circulaire de 7" (AK21, AK25)
Adaptateur circulaire de 6" (AK65 – préinstallé sur le dessus de la hotte)



Collier de départ rectangulaire de 3-1/4"x10"



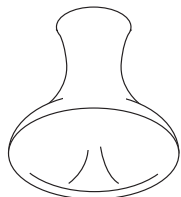
Couvercle rectangulaire de 3-1/4"x10" (préinstallé à l'arrière de la hotte)



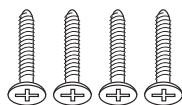
Adaptateur vertical rectangulaire de 3-1/4"x10"



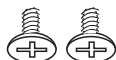
Ventouse (1)



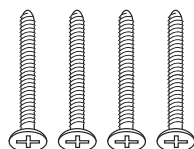
M6 x 1" (4)



Vis de grille de protection (2)



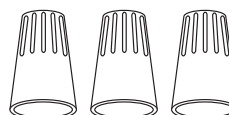
M6 x 1-1/2" (4)



Rondelle (4)

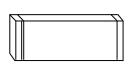
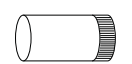
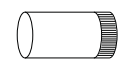
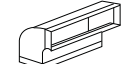



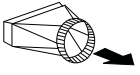
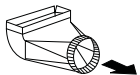





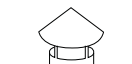
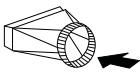
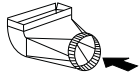




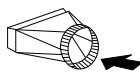
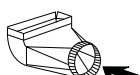
Capuchons de connexion (3)



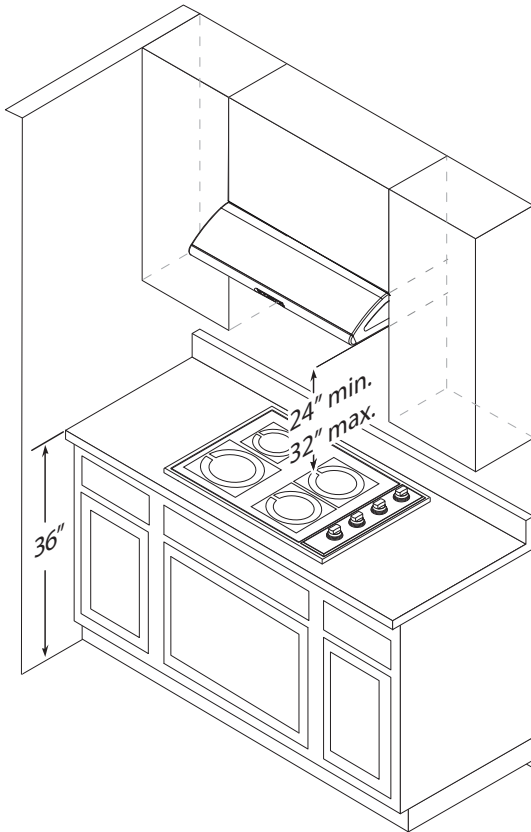
PIÈCES NON FOURNIES

- Conduit et tous les outils d'installation
- Registre antirefoulement
- Tournevis à tête cruciforme avec tige d'une longueur minimale de 8" (requis pour installer le modèle AK2100)
- Raccord de câble (si exigé par les codes en vigueur)

Pièces de conduit		Longueur x Nombre utilisé	Total
	3-1/4" x 10" rect., droit	1 pi x () =	pi
	6" circ., droit	1 pi x () =	pi
	7" circ., droit	1 pi x () =	pi
	3-1/4" x 10" rect., coude à 90°	15 pi x () =	pi
	3-1/4" x 10" rect., coude à 45°	9 pi x () =	pi
	3-1/4" x 10" rect., coude plat à 90°	24 pi x () =	pi
	3-1/4" x 10" embout mural rect./registre	30 pi x () =	pi
	3-1/4" x 10" rect. à circ. de 6"	5 pi x () =	pi
	3-1/4" x 10" coude à 90° rect. à circ. de 6"	20 pi x () =	pi
	6" circ., coude à 90°	15 pi x () =	pi
	6" circ., coude à 45°	9 pi x () =	pi
Sous-total - colonne 1 =			pi

Pièces de conduit		Longueur x Nombre utilisé	Total
	6" embout mural circ./registre	30 pi x () =	pi
	6" chapeau de toiture circ.	30 pi x () =	pi
	6" circ. à rect. de 3-1/4" x 10"	1 pi x () =	pi
	6" circ. à rect. de 3-1/4" x 10", coude à 90°	16 pi x () =	pi
	7" or 10" circ., coude à 90°	15 pi x () =	pi
	7" or 10" circ., coude à 45°	9 pi x () =	pi
	7" or 10" embout mural circ./registre	30 pi x () =	pi
	7" or 10" circ., chapeau de toiture	30 pi x () =	pi
	7" circ. à rect. de 3-1/4" x 10"	8 pi x () =	pi
	7" circ. à rect. de 3-1/4" x 10", coude à 90°	23 pi x () =	pi
Sous-total - colonne 2 =			pi
Sous-total - colonne 1 =			pi
Total du conduit =			pi

Longueur maximale du conduit d’aération: Pour un mouvement d’air convenable, la longueur totale d’un conduit d’aération ne devrait pas compter plus que l’équivalent de 100 pieds.



CONDUIT D'AÉRATION

Pour assurer une circulation d'air maximale, vous devez utiliser un conduit circulaire de 6" pour le modèle AK65, un conduit circulaire de 7" pour les modèles AK21 et AK25 ou un conduit rectangulaire de 3-1/4" x 10"

N'utilisez que des conduits en métal rigide. Les conduits souples peuvent réduire la circulation d'air de 50 %.

Utilisez la feuille de calcul (page 7) pour obtenir la longueur totale du conduit lors de l'utilisation de coudes, d'adaptateurs ou de couvercles.

Lorsqu'il est possible de le faire, diminuez TOUJOURS le nombre d'adaptateurs et de changements de direction. Si un long tronçon de conduit est nécessaire, augmentez le diamètre du conduit de 6" à 7" ou 8".

Si des changements de direction ou des adaptateurs sont nécessaires, installez-les le plus loin possible de l'ouverture et le plus éloigné possible l'un de l'autre.

La hauteur de montage minimale ne devrait pas être moins de 24".

La hauteur de montage maximale ne devrait pas dépasser 32".

Il est important d'installer la hotte à la hauteur de montage adéquate. Les hottes installées trop bas pourraient être endommagées par la chaleur en plus de présenter des risques d'incendie plus élevés tandis que les hottes installées trop haut seront difficiles à atteindre et verront leur efficacité et leur rendement réduits.

Si elles sont disponibles, consultez les exigences de hauteur d'espace libre requise par le fabricant de la cuisinière ainsi que la hauteur recommandée de montage de la hotte au-dessus de la surface de cuisson.

Conduit vertical :

Conduit circulaire de 6" minimum (AK65)
Conduit circulaire de 7" minimum (AK21, AK25)
Conduit rectangulaire de 3-1/4"x10" minimum

Conduit horizontal :

Conduit rectangulaire de 3-1/4"x10" minimum

ENDOMMAGEMENT LORS DE LA LIVRAISON/ INSTALLATION :

- Veuillez vous assurer que toutes les pièces de l'appareil ne sont pas endommagées avant l'installation.
- Si l'appareil est endommagé durant la livraison, retournez l'appareil à l'endroit où vous l'avez acheté pour réparation ou remplacement.
- Si l'appareil est endommagé par le client, la réparation ou le remplacement est à la charge du client.
- Si l'appareil est endommagé par l'installateur (s'il ne s'agit pas du client), le client et l'installateur doivent en venir à une entente pour la réparation ou le remplacement.

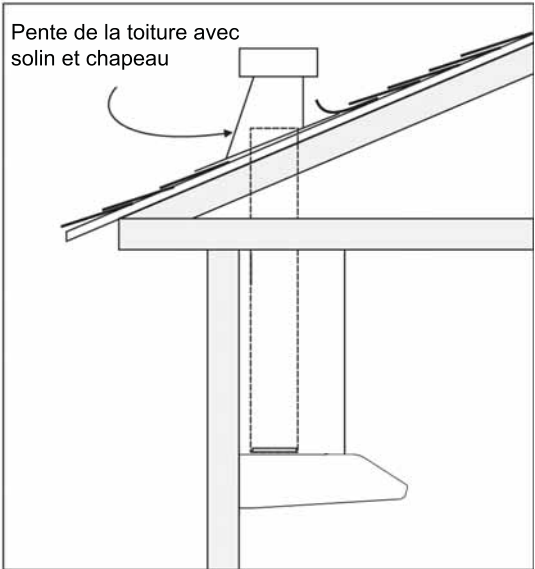
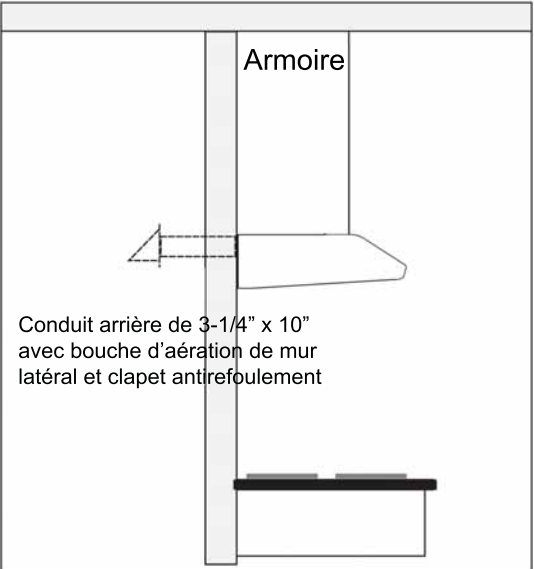
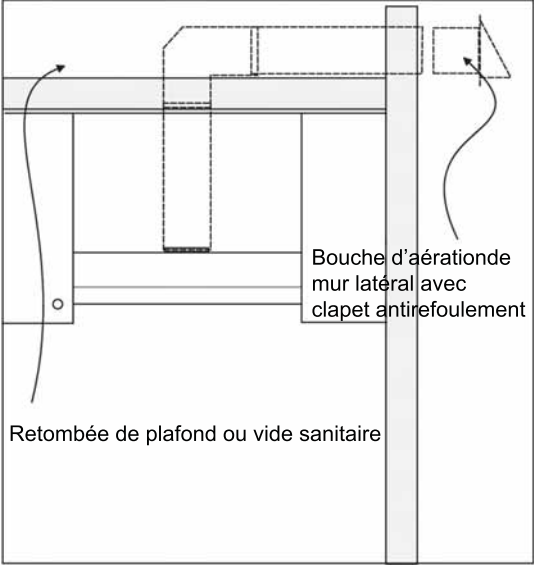
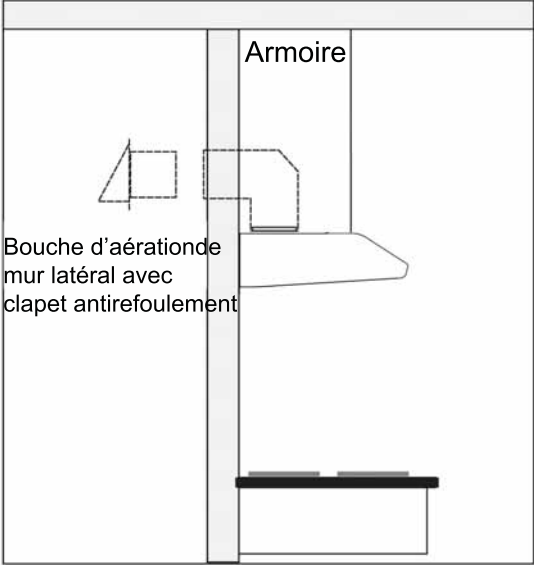
AVERTISSEMENT DE RISQUE D'INCENDIE

N'évacuez ou ne terminez JAMAIS l'échappement du conduit dans les espaces entre les murs, les vides sanitaires, le plafond, le grenier, ou le garage. Tous les échappements doivent être dirigés à l'extérieur de la maison, à moins que l'option de reprise d'air ne soit utilisée.

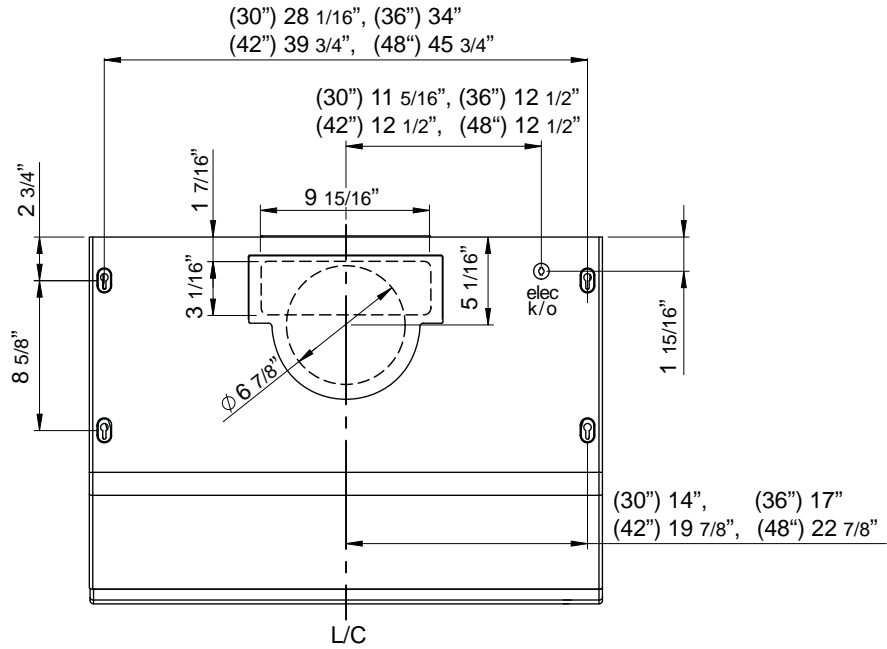
N'utilisez que des conduits en métal.

Fixez toutes les pièces du conduit avec des vis à tôle et isolez tous les joints avec du ruban adhésif en toile ou du ruban réflecteur certifié.

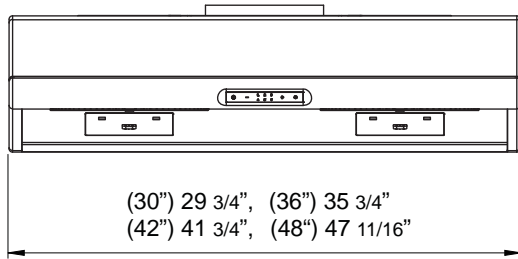
Quelques options pour le conduit d'aération



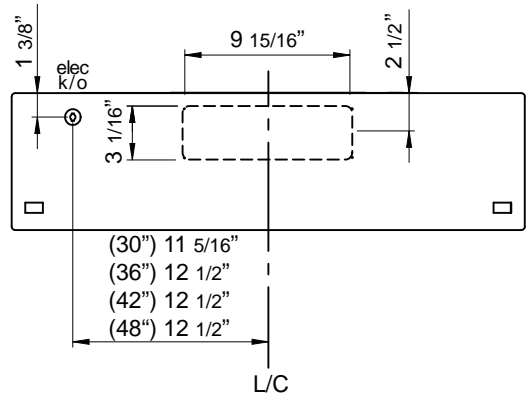
Installation – Spécifications du modèle AK21



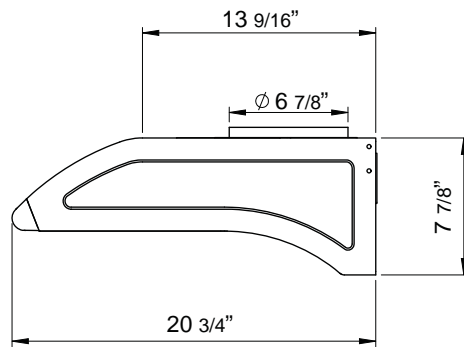
DESSUS



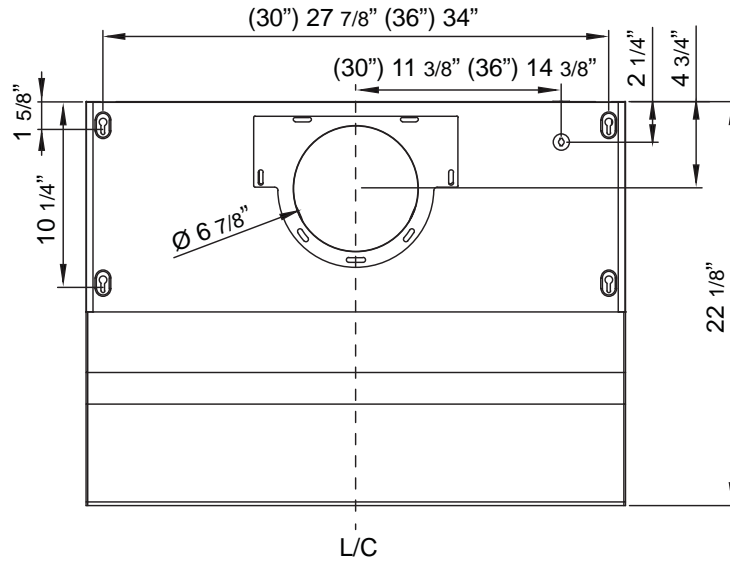
DEVANT



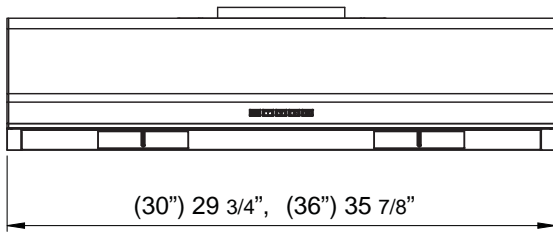
ARRIÈRE



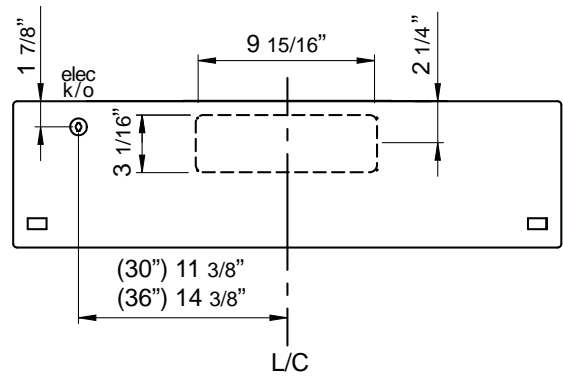
CÔTÉ



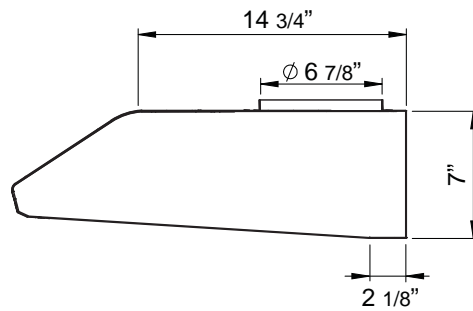
DESSUS



DEVANT

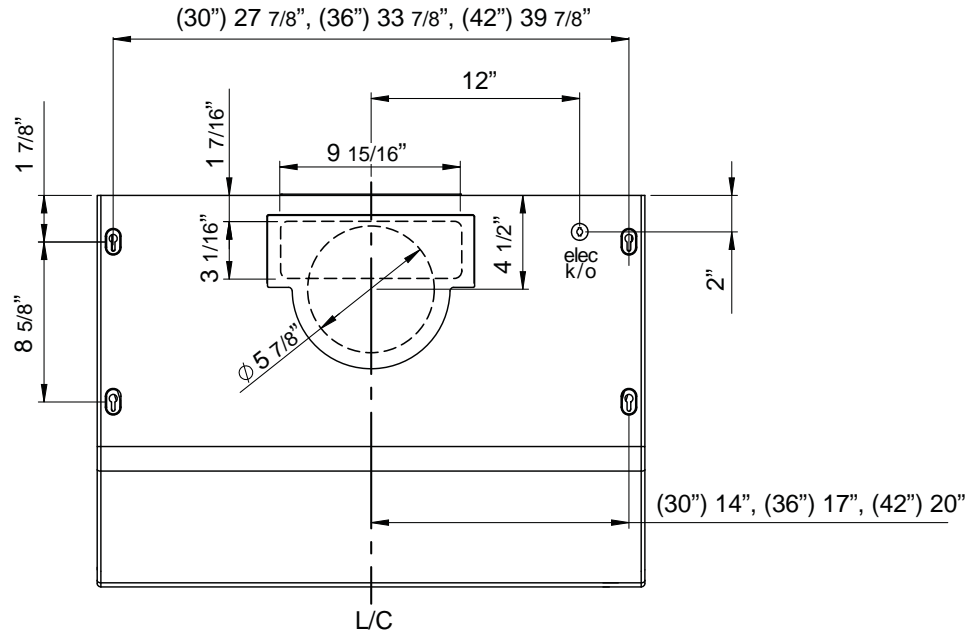


ARRIÈRE

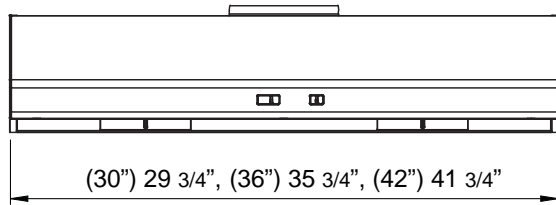


CÔTÉ

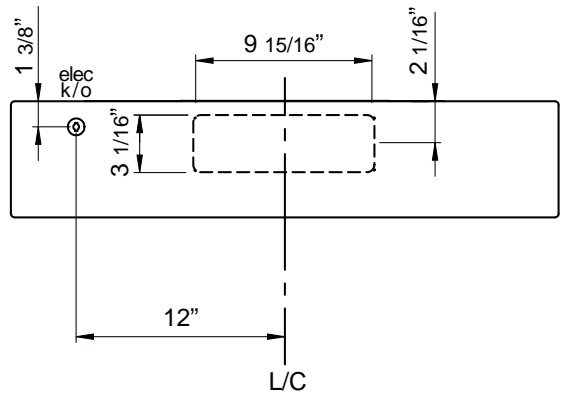
Installation – Spécifications du modèle AK65



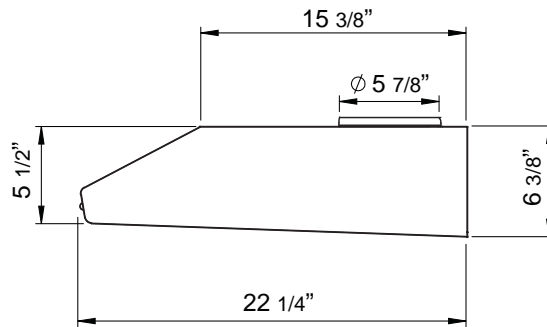
DESSUS



DEVANT



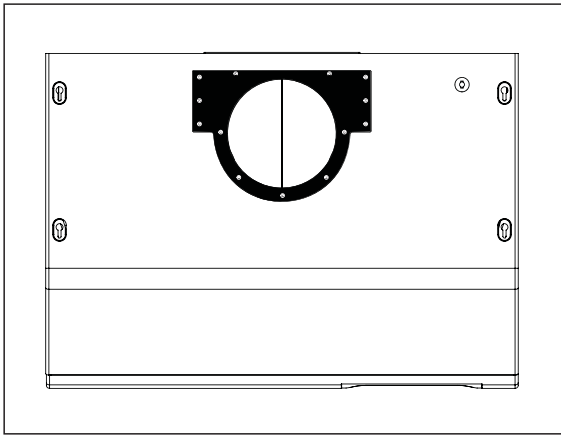
ARRIÈRE



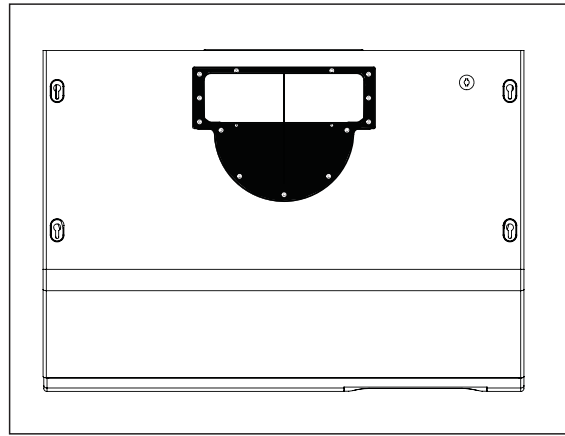
CÔTÉ

Par défaut, les modèles Typhoon et Hurricane sont configurés avec un conduit circulaire vertical de 7".
Par défaut, le modèle Cyclone est configuré avec un conduit circulaire vertical de 6"

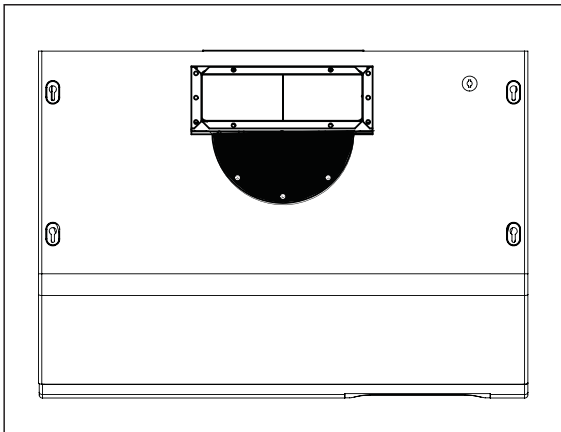
Conduit vertical rectangulaire de de 3-1/4"x10"



1. Avec un tournevis cruciforme, enlevez les vis et l'adaptateur circulaire vertical situés sur le dessus de la hotte.



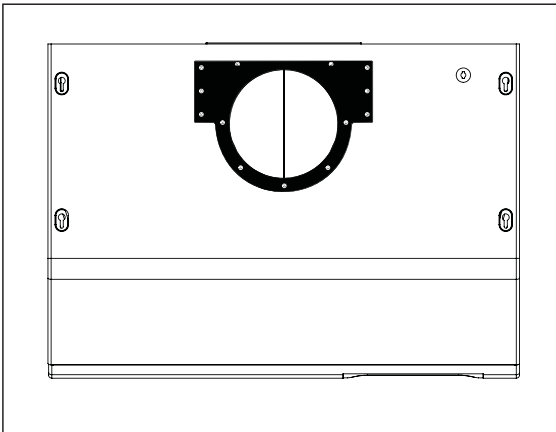
2. Avec un tournevis cruciforme, enlevez les vis et l'adaptateur circulaire vertical situés sur le dessus de la hotte.



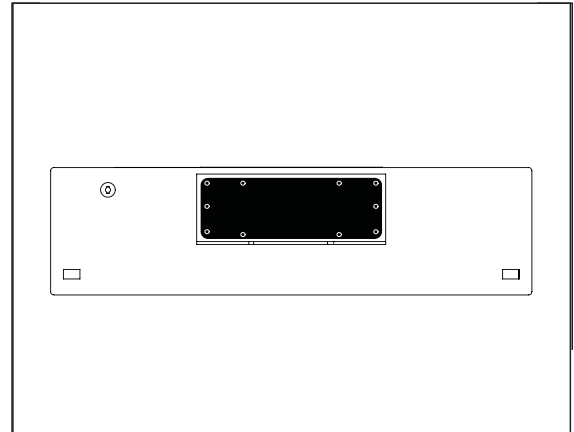
3. Placez le collier rectangulaire de 3-1/4"x10" sur l'adaptateur rectangulaire. Fixez l'adaptateur rectangulaire et le collier rectangulaire à la hotte en utilisant les vis que vous avez enlevées à l'étape 1.

Par défaut, les modèles Typhoon et Hurricane sont configurés avec un conduit circulaire vertical de 7".
Par défaut, le modèle Cyclone est configuré avec un conduit circulaire vertical de 6"

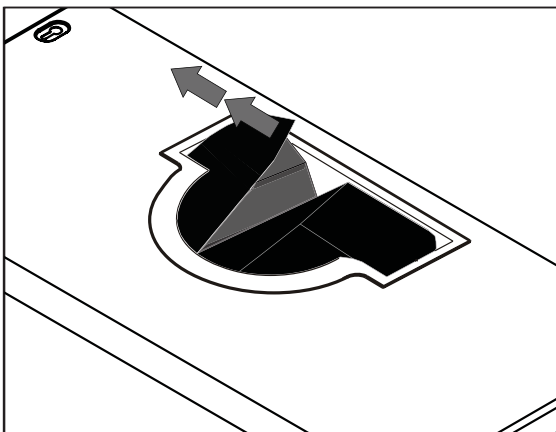
Conduit vertical rectangulaire de de 3-1/4"x10"



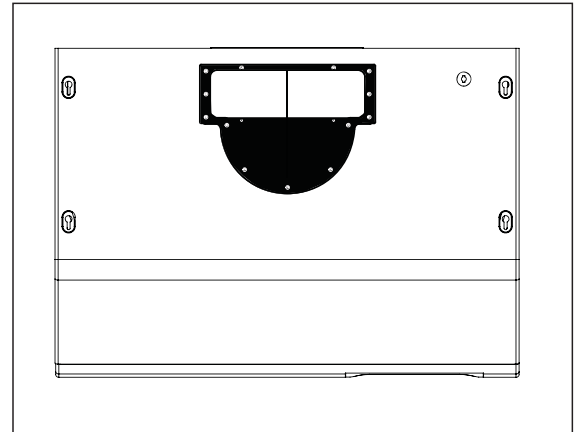
1. Avec un tournevis cruciforme, enlevez les vis et l'adaptateur circulaire vertical situés sur le dessus de la hotte.



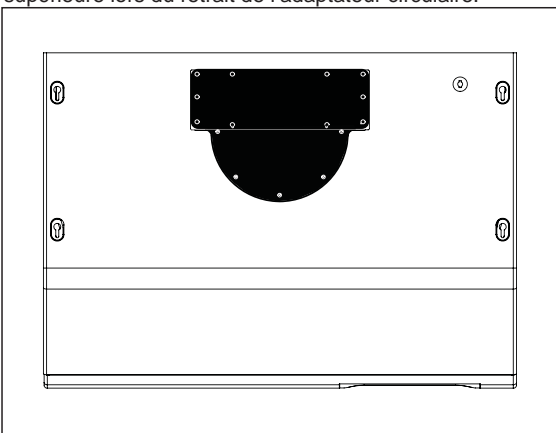
2. À l'aide d'un tournevis à tête cruciforme, enlevez les vis et le couvercle rectangulaire de 3-1/4"x10" de l'arrière de la hotte.



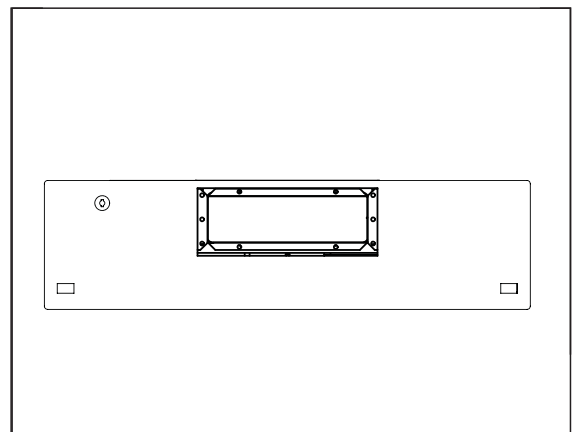
3. Modèle Typhoon SEULEMENT. Enlevez les deux déflecteurs d'air en plastique. Ces pièces sont situées à l'intérieur de la hotte et sont accessibles à partir de la partie supérieure lors du retrait de l'adaptateur circulaire.



4. Remplacez l'adaptateur circulaire vertical par un adaptateur rectangulaire. Ne le fixez pas au boîtier de la hotte pour l'instant.



5. Placez le couvercle rectangulaire de 3-1/4" x 10" sur l'ouverture rectangulaire se trouvant sur le dessus de la hotte (étape 4). Fixez l'adaptateur rectangulaire et le couvercle rectangulaire au boîtier de la hotte avec les vis que vous avez préalablement enlevées à l'étape 1.



6. Placez le collier rectangulaire de 3-1/4" x 10" à l'arrière de la hotte et fixez-le en place avec les vis qui retenaient originalement le couvercle rectangulaire.

ÉLECTRICITÉ

AVERTISSEMENT

Tous les travaux électriques doivent être réalisés par un électricien qualifié ou par une personne possédant l'expérience technique et le savoir-faire nécessaire.

Pour votre sécurité, enlevez le fusible ou ouvrez le disjoncteur de circuit avant de commencer l'installation. N'utilisez pas de cordon prolongateur ou de fiche d'adaptation avec cet appareil.

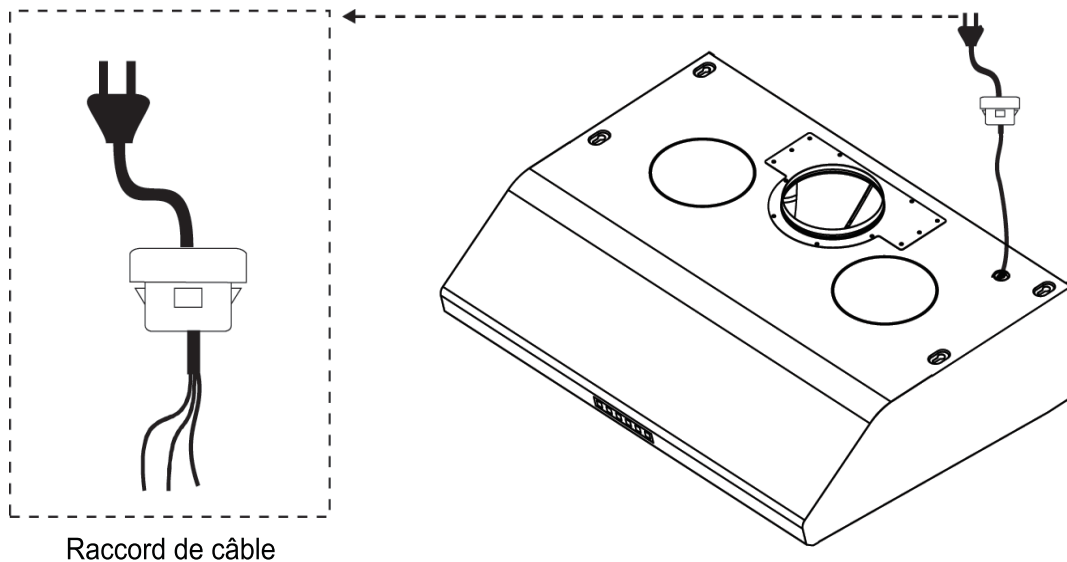
Pour votre sécurité, enlevez le fusible ou ouvrez le disjoncteur de circuit avant de commencer l'installation. N'utilisez pas de cordon prolongateur ou de fiche d'adaptation avec cet appareil.

Alimentation électrique :

Cet appareil requiert une alimentation électrique de 120V 60 Hz. Il doit être connecté à un circuit terminal individuel dûment mis à la terre, protégé par un disjoncteur de circuit ou un fusible temporisé de 15 ou 20 ampères. Le câblage doit compter 2 fils avec mise à la terre. Veuillez consulter le diagramme électrique apposé sur l'appareil.

Raccord de câble :

Un raccord de câble (non inclus) pourrait également être exigé par les normes et les réglementations locales. Informez-vous des exigences et des normes locales. Achetez et installez le connecteur approprié si nécessaire.



Raccord de câble

Installation – Montage de la hotte

La hotte est conçue pour être installée sous une armoire de cuisine. Consultez la figure 1 pour obtenir plus de détails.

1. Préparez la hotte pour un conduit vertical ou horizontal. Rapportez-vous aux pages 11 et 12 pour connaître les différentes options de conduit.
2. Mesurez et pratiquez les ouvertures pour passer le conduit et l'électricité dans l'armoire ou le mur. Veuillez trouver aux pages 10-12 les dimensions des ouvertures pour le conduit et l'électricité.
Note : Assurez-vous que l'ouverture pour le conduit est assez grande pour que vous puissiez appliquer du ruban à conduit.
3. Renforcez le bas de l'armoire avec des morceaux de bois si du renforcement supplémentaire est requis ou si l'armoire n'a pas de charpente.
4. Enlevez le panneau inférieur de la hotte en utilisant un tournevis à tête cruciforme pour enlever les vis qui le retiennent en place. Enlevez également le faisceau de câbles des lumières en appuyant sur l'attache pour libérer les lumières des douilles.
5. Installez quatre vis à bois dans la partie inférieure de l'armoire conformément aux dimensions d'installation des trous de vis de la page 10. Ces vis serviront à fixer la hotte à l'armoire.
6. Soulevez la hotte et suspendez-la aux vis de la partie inférieure de l'armoire. Assurez-vous que les quatre trous en forme de serrure couvrent les vis. Serrez chaque vis pour fixer la hotte à l'armoire. Note : Pour les modèles Typhoon de 30", vous aurez besoin d'un tournevis avec une tige de 8 à 10" pour atteindre les vis.
7. Procédez à l'installation des composantes électriques.
8. Installez le conduit et scellez-le avec du ruban à conduit.
9. Allumez la hotte, assurez-vous qu'il n'y a pas de fuites autour du ruban à conduit et assurez-vous du fonctionnement de toutes les fonctions.
10. Réinstallez le panneau inférieur et rebranchez le faisceau de câbles des lumières.
11. Faites glisser les plateaux collecteurs dans leur ouverture, au bas de la hotte. Installez les grilles de sécurité sur chaque ouverture de ventilateur et fixez-les en place avec les deux vis à grilles de sécurité.

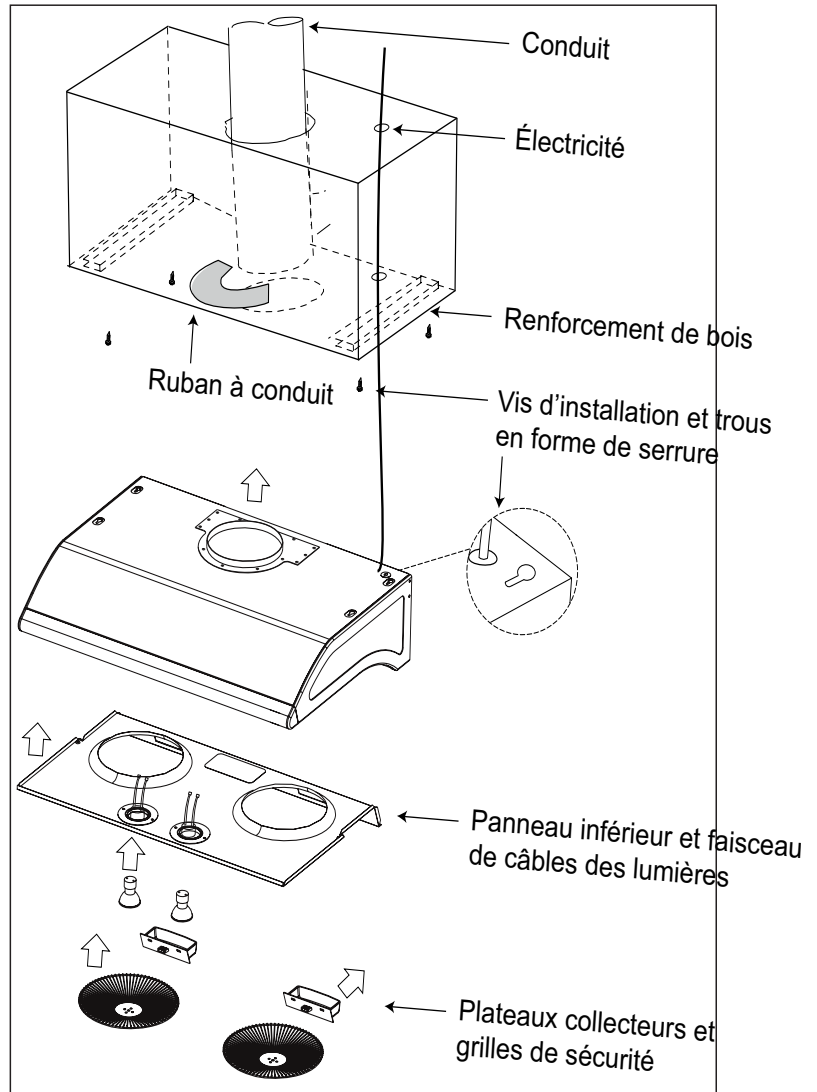
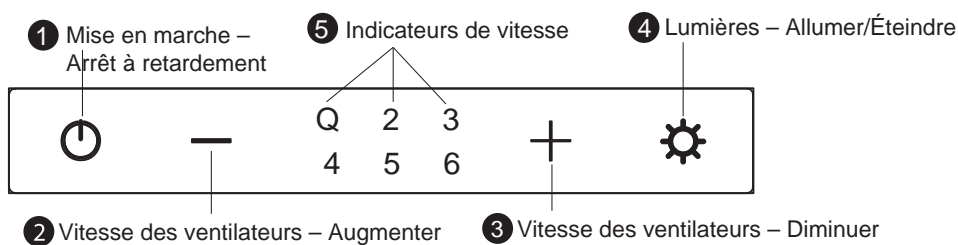


Fig 1



- 1** Touche de mise en marche et arrêt à retardement

 - La touche vous permet d’allumer et d’éteindre la hotte (ventilateurs et lumières)
 - La hotte garde en mémoire la dernière vitesse et la dernière intensité d’éclairage utilisées.
(Exemple : Si vous appuyez sur la touche pour éteindre la hotte avec les ventilateurs à la vitesse 3 et les lumières à forte intensité, lorsque vous appuierez à nouveau sur la touche , la hotte s’allumera avec les ventilateurs à la vitesse 3 et les lumières à forte intensité.)

Arrêt à retardement

 - Lorsque la hotte est allumée, appuyez sur la touche et tenez-la enfoncée deux secondes. Les ventilateurs passeront à la vitesse lente et la minuterie d’arrêt à retardement de cinq minutes commencera le compte à rebours.
 - Les indicateurs de vitesse s’illumineront à partir de la vitesse 5 et clignoteront en indiquant le temps qu’il reste avant que ne s’éteignent automatiquement les ventilateurs et les lumières.
 - Si vous appuyez sur la touche alors que la fonction d’arrêt à retardement est en cours, la hotte s’éteindra et la fonction s’annulera.

Vérification de la TCDA

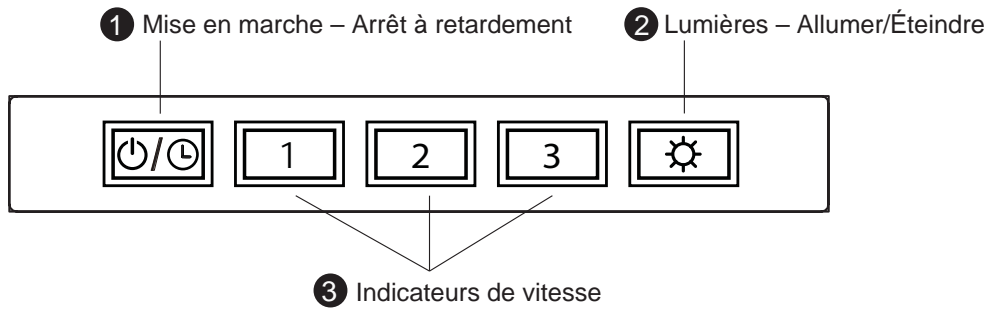
 - La Technologie de contrôle du débit d’air (TCDA) permet à l’installateur d’ajuster le nombre maximal de pi³/min que la hotte peut déplacer, en conformité avec les codes et réglementations en vigueur.
 - Comment vérifier le nombre maximal de pi³/min de la hotte :
 - Lorsque la hotte est éteinte, appuyez pendant cinq seconds sur la touche . Si tous les indicateurs de vitesse s’illuminent = nombre de pi³/min maximal par défaut. Si les indicateurs de vitesse Q, 2 et 3 s’illuminent = 390 pi³/min maximum. Si les indicateurs de vitesse Q et 2 s’illuminent = 290 pi³/min maximum.
- 2** Touche de réduction de vitesse des ventilateurs

 - Appuyez sur ce bouton pour réduire la vitesse des ventilateurs. 6, 5, 4, 3, 2, Q (silencieux).
 - Si les ventilateurs sont éteints, appuyez sur cette touche pour les allumer à la vitesse à laquelle ils se trouvaient lors de la dernière utilisation.
- 3** Touche d’augmentation de vitesse des ventilateurs



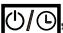
 - Appuyez sur ce bouton pour augmenter la vitesse des ventilateurs. Q (silencieux), 2, 3, 4, 5, 6.
 - Si les ventilateurs sont éteints, appuyez sur cette touche pour les allumer à la vitesse à laquelle ils se trouvaient lors de la dernière utilisation.
- 4** Touche des lumières

 - Il y a deux intensités de lumière : forte et faible.
 - Lorsque les lumières sont éteintes, appuyez une fois sur cette touche pour les allumer à forte intensité. Appuyez à nouveau pour les ajuster à la faible intensité. Appuyez à nouveau pour les éteindre.
- 5** Indicateurs de vitesse du ventilateur




 - Les ventilateurs ont six vitesses : Q (silencieux), 2, 3, 4, 5, 6.




1 Touche de mise en marche et arrêt à retardement

- La touche  vous permet d'allumer et d'éteindre la hotte (ventilateurs et lumières)
- La hotte garde en mémoire la dernière vitesse et la dernière intensité d'éclairage utilisées.
(Exemple : Si vous appuyez sur la touche  pour éteindre la hotte avec les ventilateurs à la vitesse 3 et les lumières à forte intensité, lorsque vous appuierez à nouveau sur la touche , la hotte s'allumera avec les ventilateurs à la vitesse 3 et les lumières à forte intensité.)

Arrêt à retardement

- Lorsque la hotte est allumée, appuyez sur la touche  et tenez-la enfoncée deux secondes. Les ventilateurs passeront à la vitesse 1 et la touche  clignotera, indiquant que la minuterie d'arrêt à retardement de cinq minutes a commencé le compte à rebours.
- Si vous appuyez sur la touche  alors que la fonction d'arrêt à retardement est en cours, la hotte s'éteindra et la fonction s'annulera.

Vérification de la TCDA

- La Technologie de contrôle du débit d'air (TCDA) permet à l'installateur d'ajuster le nombre maximal de pi^3/min que la hotte peut déplacer, en conformité avec les codes et réglementations en vigueur.
- Comment vérifier le nombre maximal de pi^3/min de la hotte :
 - Lorsque la hotte est éteinte, appuyez pendant cinq seconds sur la touche . Si les trois indicateurs de vitesse s'illuminent = nombre de pi^3/min maximal par défaut. Si les indicateurs de vitesse 1 et 2 s'illuminent = 390 pi^3/min maximum. Si seul l'indicateur de vitesse 1 s'illumine = 290 pi^3/min maximum.

2 Touche des lumières

- Il y a deux intensités de lumière : forte et faible.
- Lorsque les lumières sont éteintes, appuyez une fois sur cette touche pour les allumer à forte intensité. Appuyez à nouveau pour les ajuster à la faible intensité. Appuyez à nouveau pour les éteindre.

3 Indicateurs de vitesse du ventilateur

- Les ventilateurs ont trois vitesses : 1 pour la vitesse lente, 2 pour la vitesse moyenne, 3 pour la vitesse rapide.

- ❶ Ventilateur : Marche/Arrêt Choix de vitesse ❷ Allumées/Veilleuse/Éteintes



❶ VENTILATEUR : MARCHE/ARRÊT CHOIX DE VITESSE

À 0, le ventilateur est éteint, à 1 il est à basse vitesse, à 2 il est à la vitesse moyenne et à 3 il est à la vitesse élevée.

❷ LUMIÈRES : NORMAL/VEILLEUSE/ARRÊT

À 0, les lumières sont éteintes, à 1 elles sont en mode veilleuse et à 2 elles sont à forte intensité.

* La fonction TCDA (Technologie de contrôle du débit d'air) n'est pas disponible avec le modèle AK65

FONCTION D'AUTONETTOYAGE

Les hottes Typhoon, Hurricane et Cyclone de Zephyr n'ont pas de filtres, mais sont munies d'une fonction d'autonettoyage. Le système centrifuge du ventilateur liquéfie automatiquement les résidus de cuisson s'accumulant à l'intérieur de la hotte. Toutes les hottes sont équipées de plateaux lavables au lave-vaisselle qui collectent les résidus de cuisson pendant le processus d'autonettoyage.

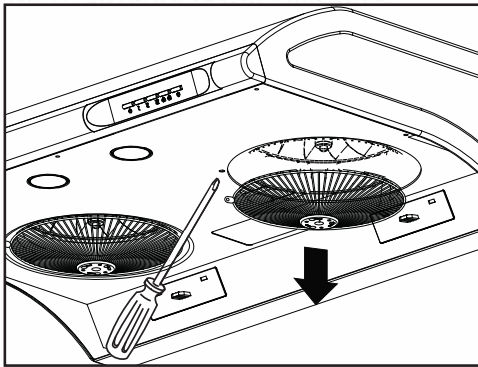
Les résidus de cuisson se formant avec une utilisation quotidienne se liquéfient souvent d'eux-mêmes et peuvent s'accumuler dans les plateaux collecteurs. Toutefois, la graisse de cuisson peut également sécher et coller au revêtement intérieur de la hotte. L'utilisation fréquente de la fonction d'autonettoyage élimine les résidus s'accumulant à l'intérieur de la hotte.

FRÉQUENCE DE NETTOYAGE

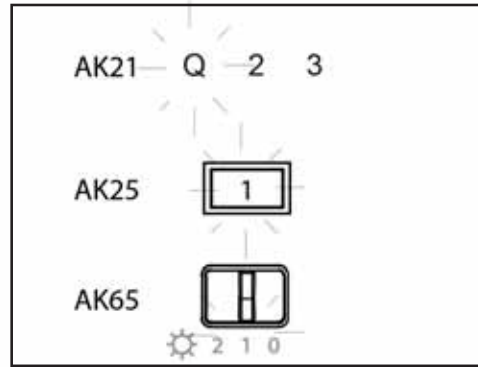
Vous devriez procéder au nettoyage de l'appareil environ une fois par mois lors d'une utilisation normale d'une heure par jour. Si pourriez avoir à nettoyer la hotte plus souvent si vous cuisinez beaucoup.

DÉTERGENT

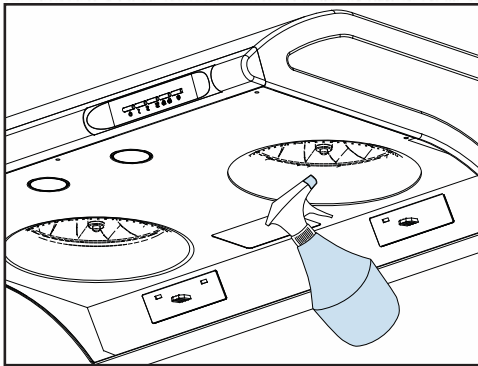
Utilisez un détergent liquide efficace contre la graisse, comme Simple Green ou 409.

INSTRUCTIONS DE NETTOYAGE

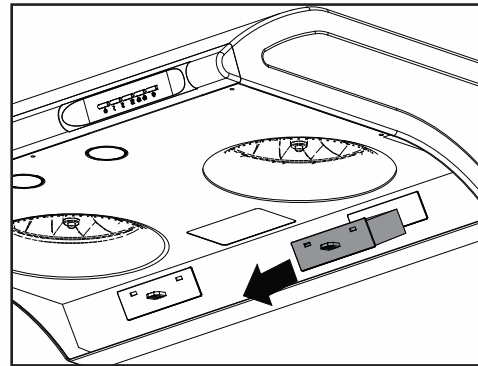
(1) Enlevez les grilles de sécurité en dévissant les vis à tête cruciforme qui les retiennent au boîtier de la hotte.



(2) Allumez les ventilateurs à la vitesse 1.



(3) Vaporisez de 30 à 35 fois les ailettes des ventilateurs avec du détergent efficace contre la graisse. Répétez pour chaque ventilateur. Laissez les ventilateurs allumés pendant 10 minutes. Le détergent glissera jusque dans les plateaux collecteurs.



(4) Enlevez les plateaux collecteurs. Lavez les plateaux collecteurs et les grilles de sécurité au lave-vaisselle ou à la main. Remettez les plateaux collecteurs et les grilles de sécurité en place après les avoir nettoyés.

AVERTISSEMENT

Faites preuve d'une grande prudence lors du nettoyage de la hotte sans les grilles de sécurité. Portez une attention particulière à vos cheveux, à vos doigts et à tout vêtement ample. Ne laissez JAMAIS un enfant sans surveillance avec l'appareil.

ENTRETIEN DES SURFACES

Nettoyez régulièrement les surfaces de la hotte avec de l'eau savonneuse chaude et un chiffon de coton propre. N'utilisez pas de détergent abrasif ou corrosif, de laines d'acier ou de tampons à récurer; ils égratigneront et endommageront les surfaces. N'utilisez pas de produits à blanchir au chlore ou d'agents nettoyants « orange ».

Pour les taches plus tenaces, utilisez du produit dégraissant liquide.

Après le nettoyage, vous pouvez polir les surfaces avec des produits de polissage à acier inoxydable non abrasifs pour redonner de l'éclat et du lustre aux surfaces. Frottez toujours doucement, avec un chiffon de coton propre, et dans le sens du grain.

CONSEIL POUR LE NETTOYAGE

Remplissez le quart des plateaux collecteurs avec de l'eau après les avoir nettoyés, ce qui empêchera les résidus de sécher et de coller dans ces contenants.

REPLACEMENT DES AMPOULES

ATTENTION : Les ampoules deviennent extrêmement chaudes lorsqu'allumées.

Veillez NE PAS les toucher avant de les avoir éteintes et laissées refroidir. Le contact avec les ampoules chaudes pourrait causer de sérieuses brûlures.

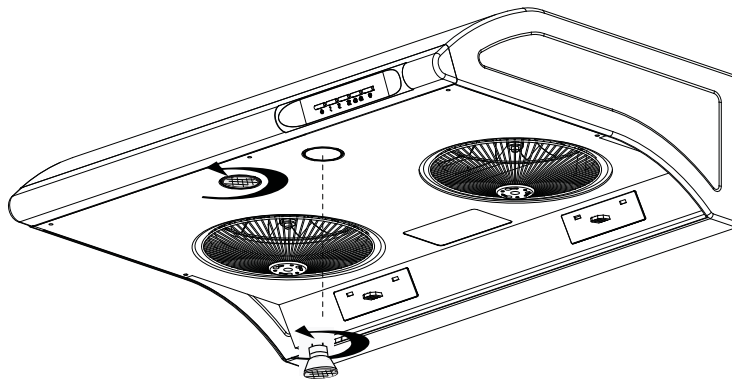
Assurez-vous que l'alimentation électrique est coupée et que les ampoules ne sont pas chaudes.

Enlevez les ampoules en les dévissant dans le sens contraire des aiguilles d'une montre. Note : les ampoules ne se dévissent pas; après une rotation de 60 degrés, elles s'arrêtent et tombent de la douille.

Lorsqu'il est difficile de retirer les ampoules après un usage prolongé, fixez solidement la ventouse fournie à l'ampoule ou utilisez des gants en latex et tournez dans le sens antihoraire.

Les ampoules de remplacement sont disponibles dans les magasins spécialisés en éclairage. Procurez-vous des ampoules halogènes MR16 (GU-10) 35W.

Consultez la page 24 du présent guide pour obtenir les numéros de pièces.



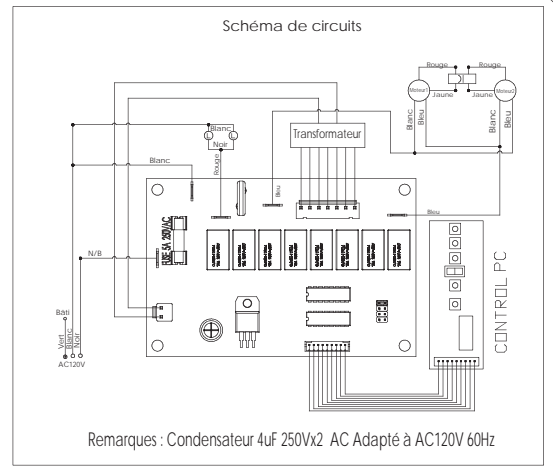
Dépannage

PROCÉDURES DE DÉPANNAGE POUR LES MODÈLES TYPHOON, HURRICANE ET CYCLONE

Problème	Cause	Solution
Après l'installation, l'appareil ne fonctionne pas.	1. Le bloc d'alimentation n'est pas allumé	1. Assurez-vous que l'alimentation du disjoncteur et de l'appareil est allumée
	2. La ligne électrique et le raccord de câble ne sont pas correctement branchés	2. Vérifiez que le branchement de l'appareil a été fait correctement
	3. Les fils électriques du tableau de contrôle et de commande sont débranchés	3. Assurez-vous que les fils électriques entre les tableaux de contrôle et de commande sont branchés convenablement
	4. Les fils du tableau de contrôle sont desserrés.	4. Assurez-vous que les fils électriques du tableau de contrôle sont branchés convenablement
	5. Tableau de contrôle/commande défectueux	5. Remplacez le tableau de contrôle/commande
Les lumières fonctionnent, mais le moteur ne tourne pas.	1. Le ventilateur est défectueux, possiblement bloqué.	1. Remplacez le ventilateur.
	2. Le système de protection thermique détecte que le ventilateur est trop chaud pour fonctionner et l'éteint.	2. Le ventilateur fonctionnera normalement lorsque le système de protection thermique aura refroidi.
	3. Le condensateur est endommagé	3. Remplacez le condensateur.
	4. Le câble du moteur n'est pas branché	4. Assurez-vous que le câble du moteur est branché dans le connecteur Molex.
L'appareil vibre	1. Le moteur n'est pas bien fixé en place	1. Fixez bien le moteur en place.
	2. La roue du ventilateur est endommagée.	2. Remplacez le ventilateur.
	3. La hotte n'est pas bien fixée en place	3. Vérifiez l'installation de la hotte.
Le ventilateur fonctionne, mais pas les lumières.	1. L'ampoule halogène est défectueuse.	1. Remplacez l'ampoule halogène.
	2. L'ampoule est desserrée.	2. Serrez l'ampoule.
	3. Les fils du tableau de contrôle sont mal branchés.	3. Assurez-vous que les fils du tableau de contrôle sont adéquatement branchés.
La hotte ne fonctionne pas bien	1. La hotte est possiblement installée trop haut par rapport à la cuisinière	1. Ajustez la distance entre la surface de la cuisinière et la base de la hotte entre 24" et 32"
	2. Du vent provenant d'une fenêtre ou d'une porte ouverte avoisinante nuit à la ventilation	2. Fermez toutes les portes et fenêtres pour éliminer les courants d'air
	3. L'ouverture du conduit ou le conduit lui-même est bloqué	3. Enlevez tout ce qui bloque l'ouverture ou le conduit d'aération
	4. L'ouverture du conduit est contre le vent.	4. Ajustez l'orientation de l'ouverture du conduit.
	5. Mauvaises dimensions de conduit d'aération	5. Utilisez un conduit aux dimensions adéquates.
Les grilles de sécurité vibrent.	1. Les grilles de sécurité sont desserrées.	1. Serrez les vis des grilles de sécurité.

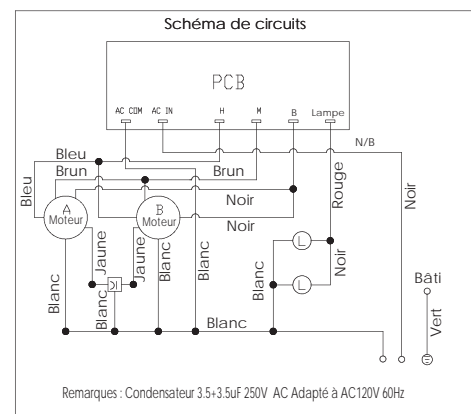
Modèle : AK2100/36/42/48B
 Tension 120V 60Hz 3A
 Consommation d'énergie
 Total : 285W
 Lampe : Max.35Wx2
 Ventilateur : 215W

PROTÉGÉ THERMIQUEMENT



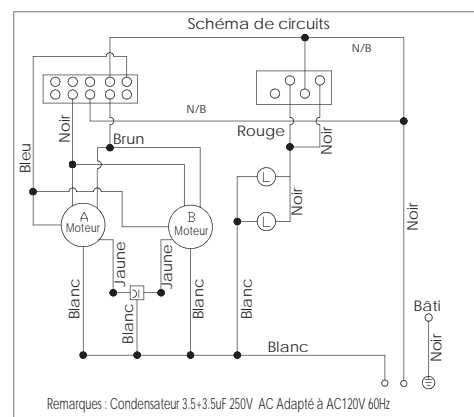
Modèle : AK2500/36B
 Tension 120V 60HZ 2.4A
 Consommation d'énergie
 Total : 230W
 Lampe : Max.35Wx2
 Ventilateur : 160W

PROTÉGÉ THERMIQUEMENT



Modèle : AK6500/36/42B
 Tension 120V 60HZ 2.4A
 Consommation d'énergie
 Total : 230W
 Lampe : Max.35Wx2
 Ventilateur : 160W

PROTÉGÉ THERMIQUEMENT



Listes des pièces et des accessoires

DESCRIPTION

N° DE PIÈCE

Pièces de remplacement

Ampoule halogène MR16 (GU10) 35W (unité)	Z0B-0023
--	----------

Pour commander des pièces, visitez-nous en ligne au <http://store.zephyronline.com> ou communiquez avec nous par téléphone au 1-888-880-8368

ZEPHYR
Garantie limitée

AGRAFEZ VOTRE REÇU ICI

Une preuve de la date d'achat originale
est nécessaire pour obtenir du service
lorsque le produit est sous garantie

**POUR OBTENIR DU SERVICE SOUS GARANTIE OU POUR TOUTE QUESTION LIÉE À L'ENTRETIEN,
veuillez communiquer avec nous au 1-888-880-8368**

Zephyr Ventilation, LLC (désigné aux présentes sous le nom de « nous ») garantit au premier acheteur (désigné aux présentes sous le nom de « vous » ou « votre ») de produits Zephyr (les « Produits ») que lesdits produits sont exempts de défauts de fabrication ou de main-d'œuvre selon les conditions suivantes :

Garantie de dix ans sur les pièces : Garantie de dix ans à partir de la date d'achat originale du Produit. Nous fournirons sans frais les Produits ou les pièces (y compris les ampoules LED, le cas échéant) de remplacement qui comportaient des défauts de fabrication. Nous pourrions choisir, à notre seule discrétion, de réparer ou de remplacer des pièces avant de prendre la décision de remplacer le Produit.

Garantie limitée d'un an sur la main-d'œuvre : Garantie d'un an à partir de la date d'achat originale du Produit. Nous couvrirons sans frais les frais de main-d'œuvre afférents à la réparation du Produit ou des pièces de remplacement qui comportaient des défauts de fabrication. Un an après la date d'achat originale, vous serez responsable de tous les frais de main-d'œuvre associés à la présente garantie.

Exclusions de la garantie : Cette garantie ne couvre que la réparation ou le remplacement, à notre gré, de pièces ou de Produits défectueux et ne couvre aucun autre coût afférent aux Produits, dont, sans s'y limiter, les frais liés : (a) à l'entretien normal des Produits et au remplacement des pièces consommables, comme les fluorescents, incandescence ou halogèneampoules, les filtres métalliques, les filtres à charbon et les fusibles; (b) à tout Produit ou pièce ayant été endommagé durant le transport ou étant le résultat d'un mauvais usage, d'une négligence, d'un accident, d'une installation incorrecte ou ne respectant pas les notices d'installation recommandées, d'un entretien ou d'une réparation inapproprié (dont ne nous sommes pas responsables); (c) à une utilisation commerciale ou ne correspondant pas à l'utilisation pour laquelle les Produits sont conçus; (d) à l'usure naturelle du fini, à l'usure due à un entretien inadéquat, à l'utilisation de produits nettoyants corrosifs ou abrasifs, de tampons nettoyeurs et de produits de nettoyage pour le four; (e) aux éclats, entailles ou fissures résultant d'un abus ou d'une mauvaise utilisation du Produit; (f) aux déplacements d'un technicien de service à votre domicile pour vous montrer comment utiliser les Produits; (g) aux dommages causés par un accident, un incendie, une inondation, un cas fortuit; ou (h) Les installations personnalisées ou modifications qui ont un impact maintenabilité du Produit. Si vous vous trouvez à l'extérieur du territoire que nous desservons, des frais supplémentaires pourraient s'appliquer pour la livraison des produits à nos points de service désignés pour une réparation sous garantie ou vous pourriez avoir à déboursier les frais de déplacement du technicien à votre domicile pour que le Produit soit réparé, enlevé ou réinstallé. Un an après la date d'achat originale du Produit, vous êtes également responsable de tous les frais de main-d'œuvre associés à la présente garantie.

Restrictions de la garantie. NOTRE OBLIGATION DE RÉPARER OU DE REMPLACER, À NOTRE GRÉ, LE PRODUIT CONSTITUE VOTRE SEUL ET UNIQUE RECOURS SOUS LA PRÉSENTE GARANTIE. NOUS NE NOUS PORTONS PAS RESPONSABLES POUR TOUT DOMMAGE INDIRECT, ACCESSOIRE OU PARTICULIER RÉSULTANT OU AYANT UN LIEN AVEC L'UTILISATION OU LE RENDEMENT DES PRODUITS. LES GARANTIES EXPRESSES DE LA SECTION PRÉCÉDENTE SONT EXCLUSIVES ET TIENNENT LIEU DE TOUTE AUTRE GARANTIE EXPRESSE. PAR LES PRÉSENTES, NOUS REJETONS ET EXCLUONS TOUTE AUTRE GARANTIE EXPRESSE POUR LES PRODUITS ET TOUTES LES GARANTIES TACITES PRÉVUES PAR LA LOI, DONT CELLES RELATIVES À LA QUALITÉ MARCHANDE OU À L'ADÉQUATION DU PRODUIT POUR UNE UTILISATION PARTICULIÈRE. Certains États ou provinces n'autorisent pas les restrictions sur la durée d'une garantie implicite ou l'exclusion ou la restriction des dommages indirects ou accessoires; par conséquent, les exclusions et restrictions mentionnées ci-dessus pourraient ne pas s'appliquer à votre cas. Dans la mesure où une loi applicable interdit l'exclusion de garanties implicites, la durée de toute garantie implicite applicable se limite à la période de deux ans décrite ci-dessus. L'unique objectif de toute description orale ou écrite est de présenter les Produits et celle-ci ne devrait pas être interprétée comme une garantie expresse. Avant d'utiliser ou de permettre l'utilisation des Produits, vous devez déterminer si les Produits conviennent aux utilisations prévues et vous devez assumer tout risque et toute responsabilité relatifs à ces utilisations. Nous nous réservons le droit d'utiliser des pièces reconstruites ou remises à neuf pour remplacer l'une des fonctionnalités dans le cadre de la présente garantie ou de l'une des parties de la présente garantie. L'acheteur original ne peut transférer la présente garantie et celle-ci n'est valide qu'aux États-Unis et au Canada.

Pour obtenir du service sous la garantie : Pour avoir droit à du service sous garantie, vous devez : (a) nous avertir en utilisant l'adresse ou le numéro de téléphone inscrit ci-dessous dans les soixante jours suivant la détection du défaut; (b) donner le numéro du modèle, le numéro d'identification de la pièce ainsi que le numéro de série; et (c) décrire la nature de tout défaut de la pièce ou du Produit. Au moment de faire la demande de service sous garantie, vous devrez présenter votre preuve d'achat et la preuve de la date d'achat originale. Si nous déterminons que les exclusions de la garantie énumérées ci-dessus s'appliquent ou si vous vous trouvez dans l'incapacité de nous fournir la documentation nécessaire pour obtenir du service, vous serez responsable de tous les frais d'expédition, de déplacement, de main-d'œuvre ou de tout autre coût afférent au service.

Veuillez consulter notre site Web au www.zephyronline.com pour savoir si des révisions ont été apportées à la garantie.

Zephyr Ventilation Service Department, 2277 Harbor Bay Parkway, Alameda, CA 94502 1-888-880-8368

ENREGISTRMENT DU PRODUIT

Nous vous félicitons d'avoir acheté une hotte Zephyr. Veuillez prendre un moment pour enregistrer votre nouvelle hotte au www.zephyronline.com/registration

C'EST IMPORTANT

Cet enregistrement rapide est utile à bien des égards.

- Il assure la couverture de votre garantie si vous avez besoin de service après-vente.
- À des fins d'assurance, il permet de confirmer que vous êtes le propriétaire.
- Il vous permet de recevoir des avis concernant des modifications ou des rappels de produits.

