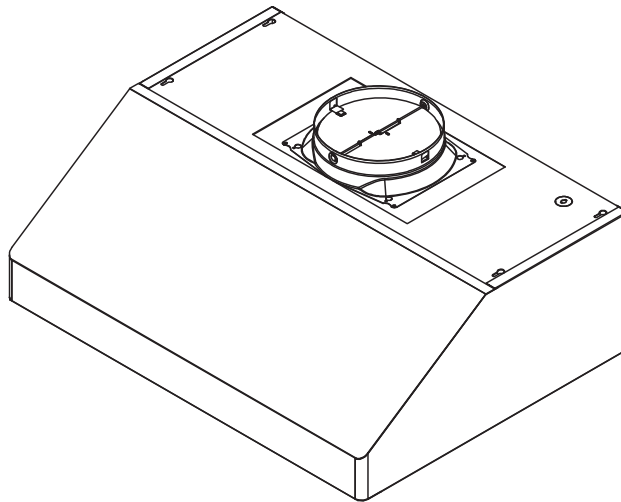


Use, Care, and Installation Guide

Tempest I

AK7000BS
AK7036BS
AK7042BS



Model number: _____
Serial Number: _____
Date of Purchase: _____
Sales Dealer: _____



APR14.0301 © 2014 Zephyr Corporation

READ AND SAVE THESE INSTRUCTIONS

SAFETY NOTICE 2-3

LIST OF MATERIALS 4

INSTALLATION

 Ducting Calculation Sheet 5

 Mounting Height & Clearance 6

 Ducting Options 7

 Specifications 8

 Mounting the Range Hood 9-10

 Horizontal Conversion 11-12

 PBD-1200A Dual Blower 13-14

FEATURES & CONTROLS

 Touch Controls & Features 15-17

 Optional Remote Control 18

MAINTENANCE

 Cleaning, Filters & Recirculating 19

 Lights 20

TROUBLESHOOTING 21

WIRING DIAGRAMS 22

FAN CURVE DIAGRAMS 23-24

LIST OF PARTS AND ACCESSORIES 25

Important Safety Notice

WARNING

TO REDUCE THE RISK OF FIRE OR ELECTRIC SHOCK, DO NOT USE THIS FAN WITH ANY SOLID-STATE CONTROL DEVICE.

WARNING

TO REDUCE THE RISK OF FIRE ELECTRIC SHOCK, OR INJURY TO PERSONS, OBSERVE THE FOLLOWING:

- a. Use this unit only in the manner intended by the manufacturer, if you have questions, contact the manufacturer.
- b. Before servicing or cleaning unit, switch power off at service panel and lock panel to prevent power from being switched on accidentally. When the service disconnecting means cannot be locked, securely fasten a prominent warning device, such as a tag, to the service panel.

CAUTION

For general ventilating use only. Do not use to exhaust hazardous or explosive materials and vapors. Take care when using cleaning agents or detergents. Suitable for use in household cooking area.

WARNING

TO REDUCE THE RISK OF RANGE TOP GREASE FIRE:

- a. Never leave surface units unattended at high settings. Boilovers cause smoking and greasy spillovers that may ignite. Heat oils slowly on low or medium settings.
- b. Always turn hood ON when cooking at high heat or when flaming food
- c. Clean ventilating fans frequently. Grease should not be allowed to accumulate on fan or filter.
- d. Use proper pan size. Always use cookware appropriate for the size of the surface element.
- e. Keep fan, filters and grease laden surfaces clean.
- f. Use high setting on hood only when necessary.
- g. Don't leave hood unattended when cooking.
- h. Always use cookware and utensils appropriate for the type of and amount of food being prepared.

WARNING

TO REDUCE THE RISK OF INJURY TO PERSONS IN THE EVENT OF A RANGE TOP FIRE, OBSERVE THE FOLLOWING:

- a. SMOTHER FLAMES with a close-fitting lid, cookie sheet, or metal tray, then turn off the burner. BE CAREFUL TO PREVENT BURNS. If the flames do not go out immediately, EVACUATE AND CALL THE FIRE DEPARTMENT.
- b. NEVER PICK UP A FLAMING PAN – You may be burned.
- c. DO NOT USE WATER, including wet dishcloths or towels – a violent steam explosion will result.
- d. Use an extinguisher ONLY if:
 - 1. You know you have a Class ABC extinguisher, and you already know how to operate it.
 - 2. The fire is small and contained in the area where it started.
 - 3. The fire department is being called.
 - 4. You can fight the fire with your back to an exit

WARNING

TO REDUCE THE RISK OF FIRE, ELECTRIC SHOCK OR INJURY TO PERSONS, OBSERVE THE FOLLOWING:

- a. Installation work and electrical wiring must be done by qualified person(s) in accordance with all applicable codes and standards. Including fire-rated construction.
- b. Sufficient air is needed for power combustion and exhausting of gases through the flue (chimney) of fuel burning equipment to prevent back-drafting. Follow the heating equipment manufacturer's guideline and safety standards such as those published by the National Fire Protection Association (NFPA) and the American Society for Heating, Refrigeration and Air Conditioning Engineers (ASHRAE) and the local code authorities.
- c. When cutting or drilling into wall or ceiling, do not damage electrical wiring and other hidden utilities.
- d. Ducted fans must always vent to the outdoors.
- e. NEVER place a switch where it can be reached from a tub or shower.
- f. Make sure the power is off before installing, wiring or maintenancing.

WARNING

TO REDUCE THE RISK OF FIRE, USE ONLY METAL DUCTWORK.

CAUTION

To reduce risk of fire and to properly exhaust air outside - Do not vent exhaust air into spaces within walls, ceilings, attics, crawl spaces or garages.

No for use over an outdoor grill.

OPERATION

Always leave safety grilles and filters in place. Without these components, operating blowers could catch onto hair, fingers and loose clothing.

The manufacturer declines all responsibility in the event of failure to observe the instructions given here for installation, maintenance and suitable use of the product. The manufacturer further declines all responsibility for injury due to negligence and the warranty of the unit automatically expires due to improper maintenance.

***NOTE: Please check www.zephyronline.com for revisions before doing any custom work.**

ELECTRICAL REQUIREMENTS

Important:

Observe all governing codes and ordinances.

It is the customer's responsibility:

- To contact a qualified electrical installer.
- To assure that the electrical installation is adequate and in conformance with National Electrical Code, ANSI/NFPA 70 latest edition* or CSA standards C22.1-94, Canadian Electrical Code, Part 1 and C22.2 No.0-M91 - latest edition** and all local codes and ordinances.

If codes permit and a separate ground wire is used, it is recommended that a qualified electrician determine that the ground path is adequate.

Do not ground to a gas pipe.

Check with a qualified electrician if you are not sure the range hood is properly grounded.

Do not have a fuse in the neutral or ground circuit.

*National Fire Protection Association Batterymarch Park, Quincy, Massachusetts 02269

** CSA International 8501 East Pleasant Valley Road, Cleveland, Ohio 44131-5575

This appliance requires a 120V 60Hz electrical supply and connected to an individual properly grounded branch circuit protected by a 15 or 20 ampere circuit breaker or time delay fuse. Wiring must be 2 wire with ground. Please also refer to Electrical Diagram on product.

A cable locking connector (not supplied) might also be required by local codes. Check with local requirements, purchase and install appropriate connector if necessary.

List of Materials

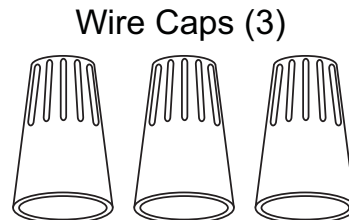
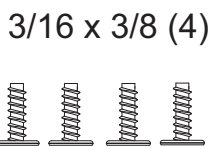
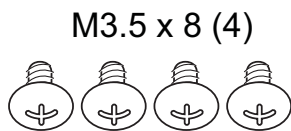
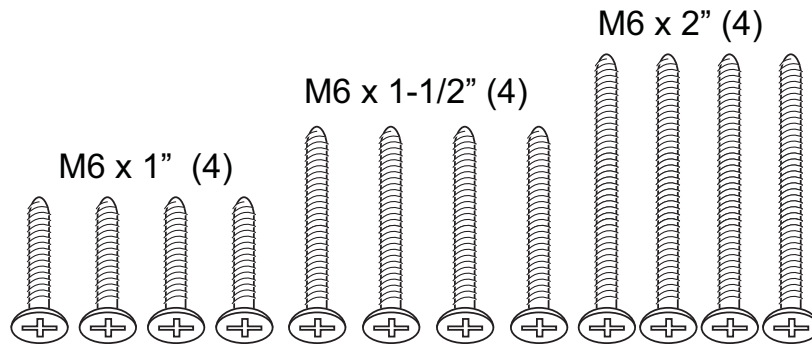
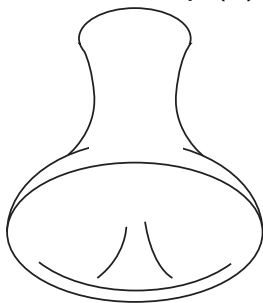
MODELS: AK7000BS, AK7036BS, AK7042BS

PARTS SUPPLIED

- 1 - Hood
- 2 - Baffle filters (3 - AK7036BS and AK7042BS)
- 2 - Halogen light bulbs (pre-installed)
- 1 - Single internal blower and blower plate (pre-installed)
- 1 - Rectangular starting collar (for single blower horizontal ducting)
- 1 - 8" round starting collar
- 1 - Rectangular metal cap (for single blower horizontal ducting)
- 1 - Hardware package

HARDWARE PACKAGE CONTENTS

**Light Bulb Removal
Suction Cup (1)**




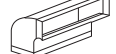









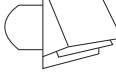


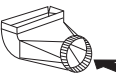


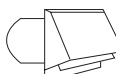
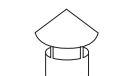
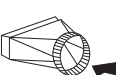
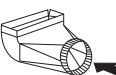
PARTS NOT SUPPLIED

- Ducting, conduit and all installation tools
- Cable connector (if required by local codes)
- Dual blower kit (PBD-1200A, compatible with AK7036BS and AK7042BS only)
- Recirculating kit accessory *

***Recirculating kit only compatible with single internal blower, not with dual internal blower.**

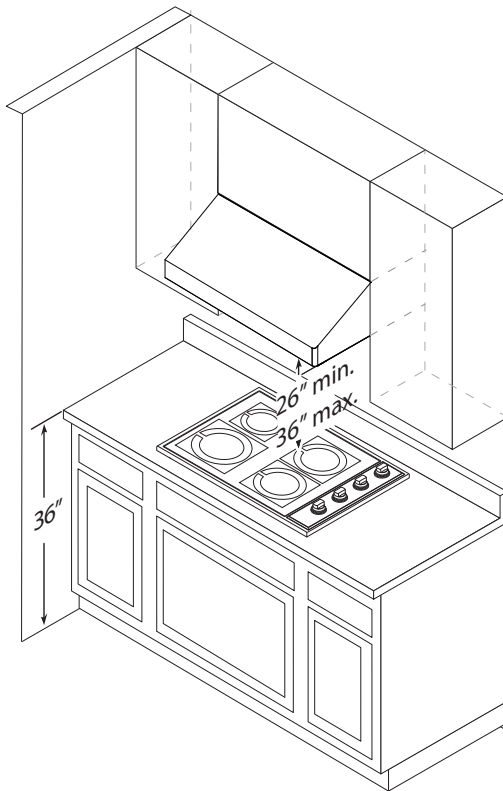
Installation – Ducting Calculation Sheet

Duct pieces		Equivalent number length x used =	Total
	3-1/4" x 10" Rect., straight	1 Ft. x () =	Ft.
	6" Round, straight	1 Ft. x () =	Ft.
	7"-10" Round, straight	1 Ft. x () =	Ft.
	3-1/4" x 10" Rect. 90° elbow	15 Ft. x () =	Ft.
	3-1/4" x 10" Rect. 45° elbow	9 Ft. x () =	Ft.
	3-1/4" x 10" Rect. 90° flat elbow	24 Ft. x () =	Ft.
	3-1/4" x 10" Rect. wall cap with damper	30 Ft. x () =	Ft.
	3-1/4" x 10" Rect. to 6" round transition	5 Ft. x () =	Ft.
	3-1/4" x 10" Rect. to 6" round transition 90° elbow	20 Ft. x () =	Ft.
	6" Round, 90° elbow	15 Ft. x () =	Ft.
	6" Round, 45° elbow	9 Ft. x () =	Ft.
Subtotal column 1 =			Ft.

Duct pieces		Equivalent number length x used =	Total
	6" Round wall cap with damper	30 Ft. x () =	Ft.
	6" Round, roof cap	30 Ft. x () =	Ft.
	6" round to 3-1/4" x 10" rect. transition	1 Ft. x () =	Ft.
	6" round to 3-1/4" x 10" rect. transition 90° elbow	16 Ft. x () =	Ft.
	7" - 10" Round, 90° elbow	15 Ft. x () =	Ft.
	7" - 10" Round, 45° elbow	9 Ft. x () =	Ft.
	7" - 10" Round wall cap with damper	30 Ft. x () =	Ft.
	7" - 10" Round, roof cap	30 Ft. x () =	Ft.
	7" round to 3 1/4" x 10" rect. transition	8 Ft. x () =	Ft.
	7" round to 3-1/4" x 10" rect. transition 90° elbow	23 Ft. x () =	Ft.
Subtotal column 2 =			Ft.
Subtotal column 1 =			Ft.
Total ductwork =			Ft.

Maximum Duct Length: For satisfactory air movement, the total duct length should not exceed 100 equivalent feet.

Installation – Mounting Height & Clearance



Minimum mount height between range top to hood bottom should be no less than 26".

Maximum mount height should be no higher than 36".

It is important to install the hood at the proper mounting height. Hoods mounted too low could result in heat damage and fire hazard; while hoods mounted too high will be hard to reach and will lose its performance and efficiency.

If available, also refer range manufacturer's height clearance requirements and recommended hood mounting height above range.

Vertical Ducting:

- 8" round minimum (single blower)
- 10" round minimum (dual blower)

Horizontal Ducting:

- 3-1/4"x10" minimum (single blower)
- 8" round minimum (single blower)
- No horizontal option available for dual blower

DUCTING

A minimum of 8" round or 3-1/4" x 10" rectangular duct must be used to maintain maximum air flow efficiency for single blower and 10" round duct for dual blower.

Always use rigid type metal ducts only. Flexible ducts could restrict air flow by up to 50%.

Also use calculation (on page 5) to compute total available duct run when using elbows, transitions and caps.

ALWAYS, when possible, reduce the number or transitions and turns. If long duct run is required, increase duct size from 8" to 10".

If turns or transitions are required; install as far away from hood duct output and as far apart, between the two as possible.

DAMAGE-SHIPMENT / INSTALLATION:

- Please fully inspect unit for damage before installation.
- If the unit is damaged in shipment, return the unit to the store in which it was bought for repair or replacement.
- If the unit is damaged by the customer, repair or replacement is the responsibility of the customer.
- If the unit is damaged by the installer (if other than the customer), repair or replacement must be made by arrangement between customer and installer.

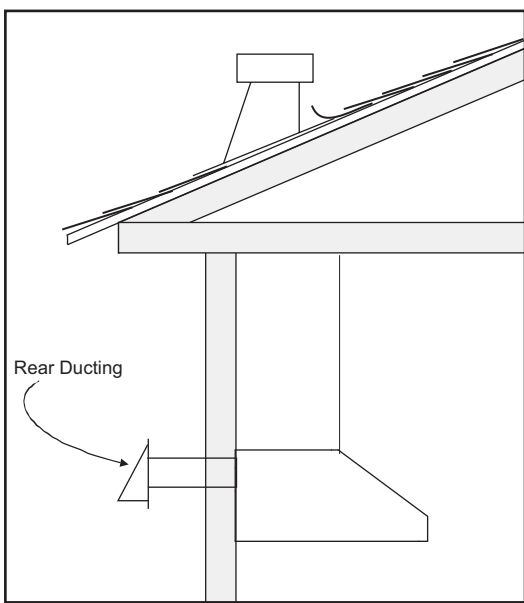
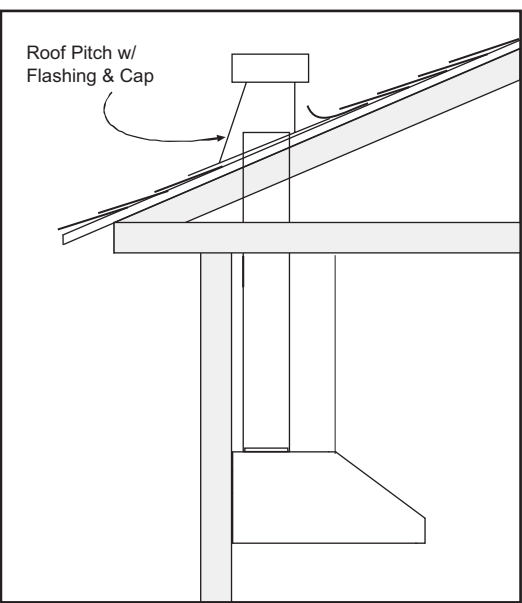
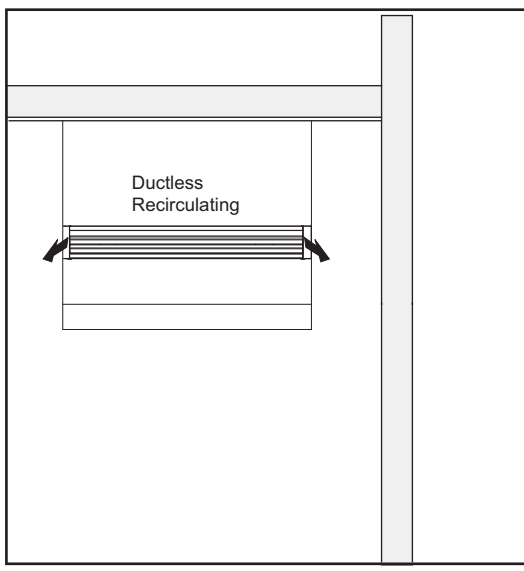
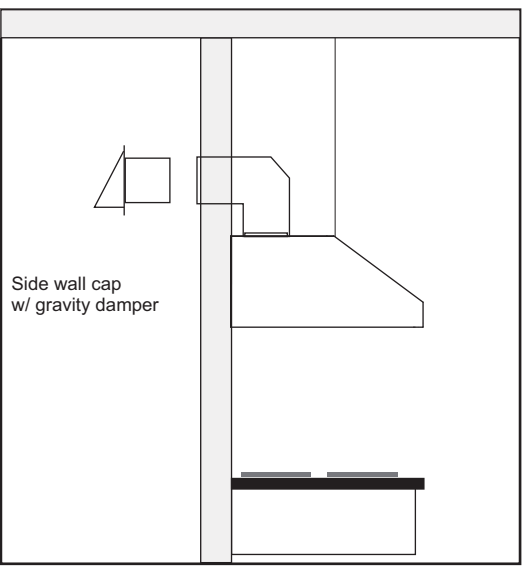
WARNING FIRE HAZARD

NEVER exhaust air or terminate duct work into spaces between walls, crawl spaces, ceiling, attics or garages. All exhaust must be ducted to the outside.

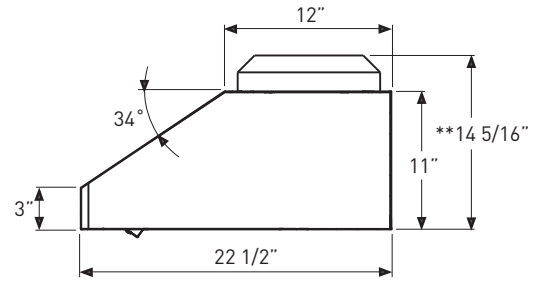
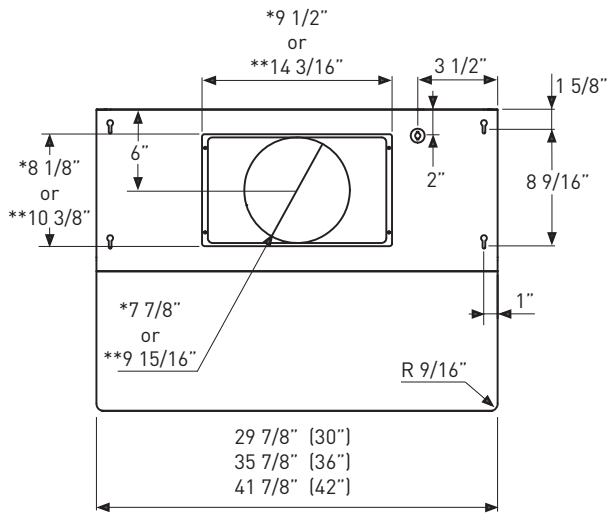
Use metal ductwork only.

Fasten all connections with sheet metal screws and tape all joints with certified Silver Tape or Duct Tape.

Some Ducting Options



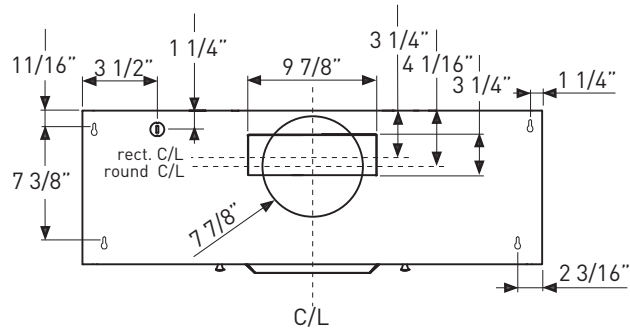
Installation – Specifications



side

* Single Blower Dimension
 ** Dual Blower Dimension

top



back

**ELECTRICAL
WARNING**

All Electrical work must be performed by qualified electrician or person with similar technical know how and background.

For personal safety, remove house fuse or open circuit breaker before beginning installation. Do not use extension cord or adapter plug with this appliance.

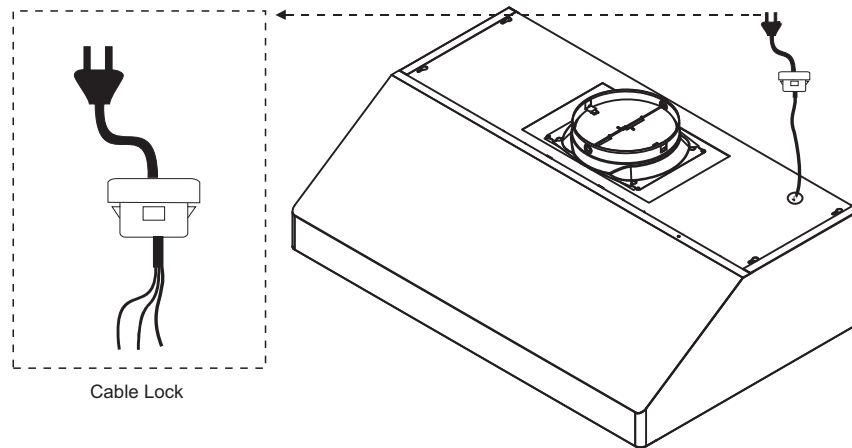
Follow national electrical codes or prevailing local codes and ordinances.

Electrical Supply:

This appliance requires a 120V 60Hz electrical supply, and connected to an individual, properly grounded branch circuit, protected by a 15 or 20 ampere circuit breaker or time delay fuse. Wiring must be 2 wire w/ ground. Please also refer Electrical Diagram labeled on product.

Cable Lock:

A cable locking connector (not supplied) might also be required by local codes. Check with local requirements and codes, purchase and install appropriate connector if necessary.



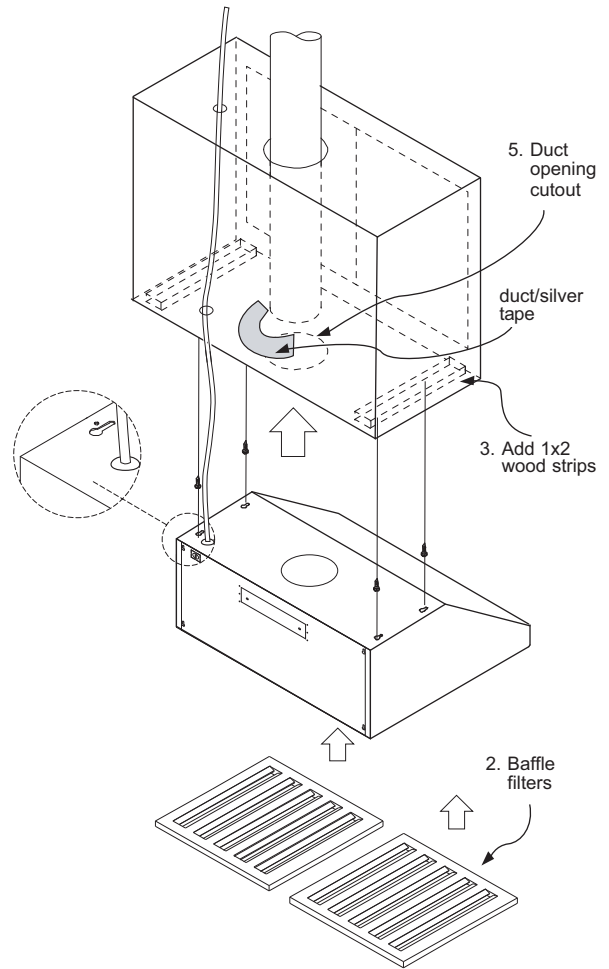
Installation – Mounting the Range Hood

For dual blower installation instructions please refer to page 13.

If recirculating range hood refer to the manual included with ZRC-07xxxB recirculating kit or on our website prior to installing hood. Recirculating kit compatible with 650cfm single internal blower only.

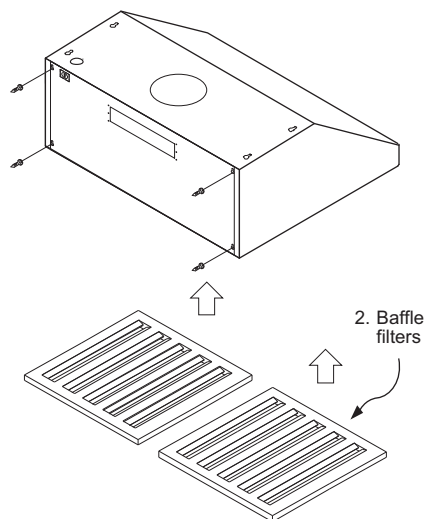
For Mounting Under a Kitchen Cabinet

1. Select preferred duct location (vertical or horizontal).
2. Begin installation by removing the baffle filters.
3. Reinforce cabinet with 1"x2" wood strips if additional strengthening is required or if cabinets are framed.
4. Temporarily position the range hood in the desired mounting location. Measure and mark the mounting holes, duct and electrical locations with a pencil.
NOTE: If using single internal blower a 8" round duct opening is necessary. If using a dual internal blower, please refer to page 14 for cut-out dimensions.
5. Drill/cut out the required openings for duct and electrical access; make sure the duct opening is large enough to apply duct tape.
6. Fasten hood onto cabinet with (4) M4 wood screws provided.
7. Install electrical.
8. Install duct work and duct tape.
9. Reinstall baffle filters.
10. Power up hood and check for leaks around duct tape.



For Mounting to a Wall

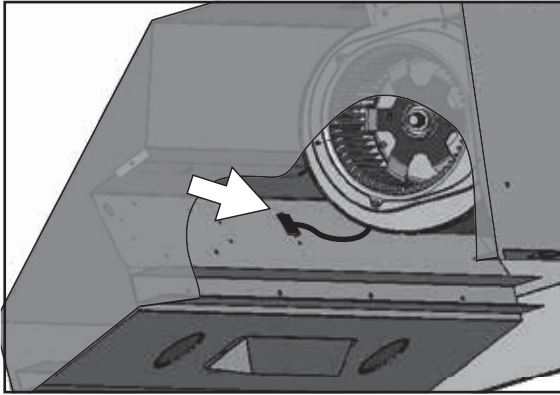
1. Select preferred duct location (vertical or horizontal).
2. Begin installation by removing the baffle filters.
3. Temporarily position the range hood in the desired mounting location. Measure and mark the mounting holes, duct and electrical locations with a pencil.
4. Drill/cut out required openings.
5. Fasten hood onto wall with screws provided.
6. Install electrical.
7. Install duct work and duct tape.
8. Reinstall baffle filters.
9. Power up hood and check for leaks around duct tape.



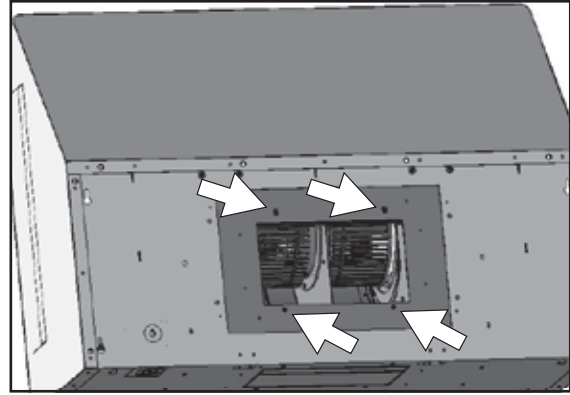
This range hood is equipped standard with a 8" round vertical duct option. To convert from 8" round vertical to 8" round horizontal ducting or 3-1/4" x 10" rectangular horizontal ducting please following the instructions below.
NOTE: Horizontal ducting is only available for the single internal blower.

NOTE: If horizontally ducting via 3 1/4" x 10" rectangular ducting, the maximum airflow of 650 CFM will be reduced to 550 CFM. Other CFM levels will not be affected.

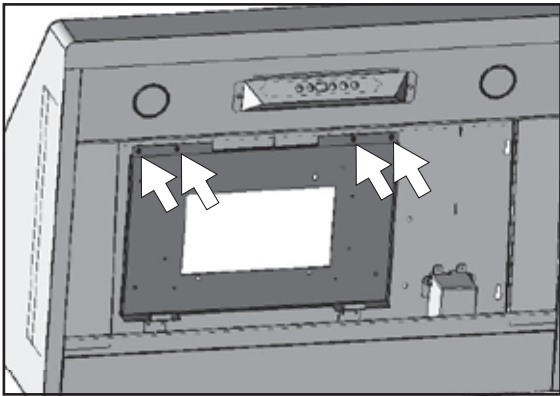
VERTICAL TO HORIZONTAL DUCTING CONVERSION



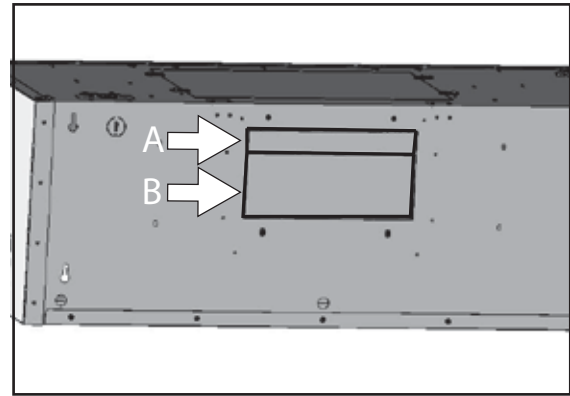
1. Disconnect blower plug.



2. Remove (4) screws at top of hood body attaching blower to blower plate. Remove blower from interior of hood body.

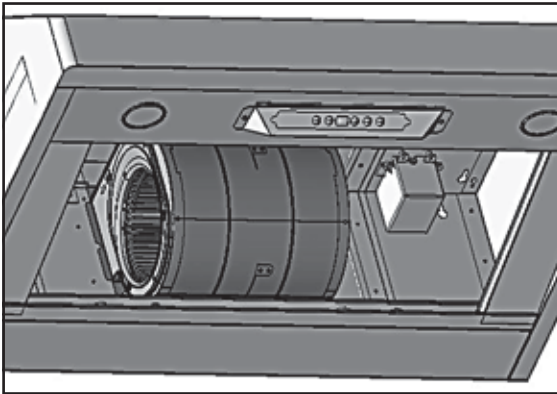


3. Remove (4) screws from interior of hood body attaching blower plate to hood body. Remove blower plate.

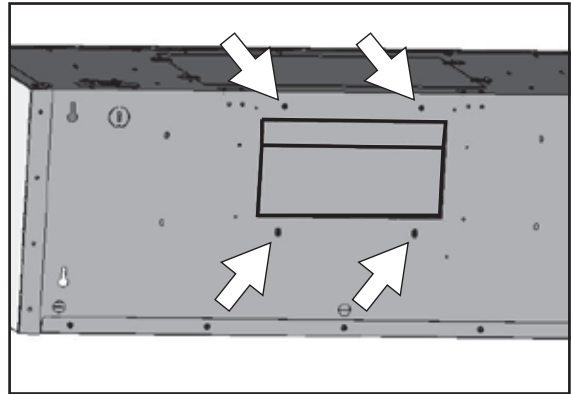


4. Knock out rear plates A & B for 8" round rear ducting or plate B only for 3 1/4" x 10" rectangular rear ducting.

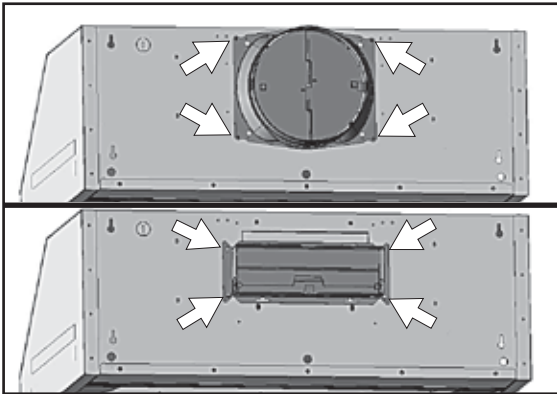
Installation – Horizontal Conversion



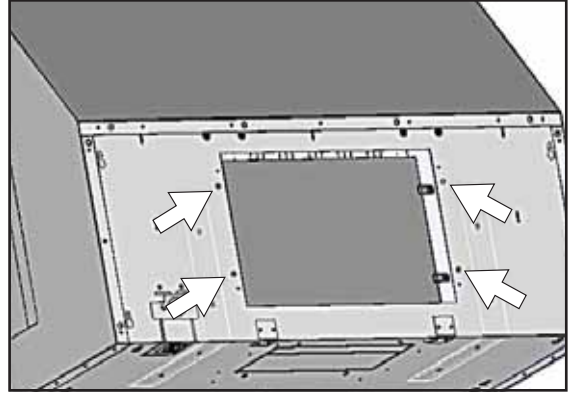
5. Place blower inside hood as shown.



6. Attach blower to hood body from the back of hood using (4) previously removed blower screws and reconnect blower plug.



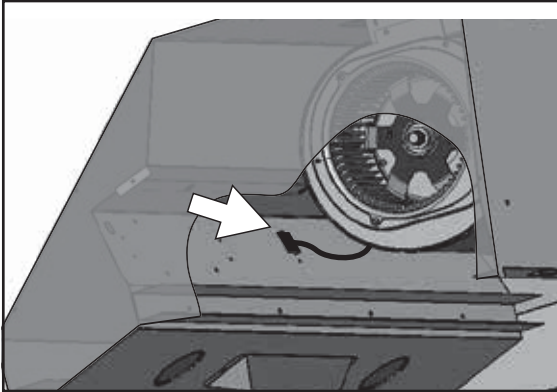
7. Attach 8" round duct collar or 3 1/4"x10" rectangular duct collar to back of hood body using (4) M3.5 x 8 screws.



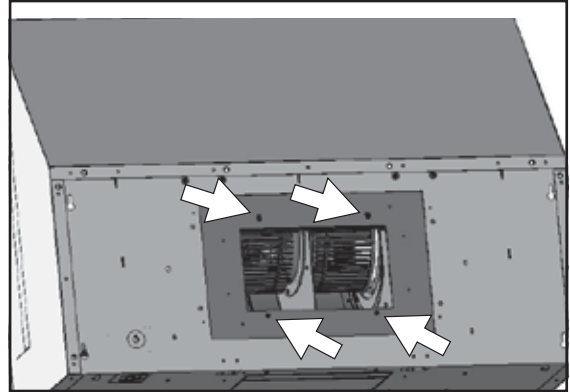
8. From inside hood body, position top cover plate to top of hood body. From outside hood body, attach top cover plate to top of hood body using (4) 3/16 x 3/8 screws.

This range hood is equipped standard with a single blower vertical duct option. To convert from single blower vertical ducting to dual blower vertical ducting please following the instructions below.
PBD-1200A dual blower kit compatible only with AK7036BS and AK7042BS models.

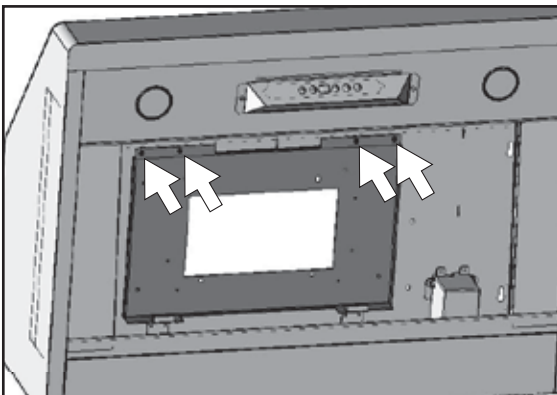
Installation – PBD-1200A Dual Blower



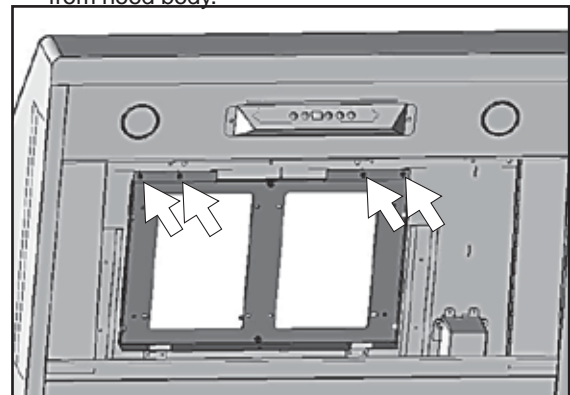
1. Disconnect blower plug.



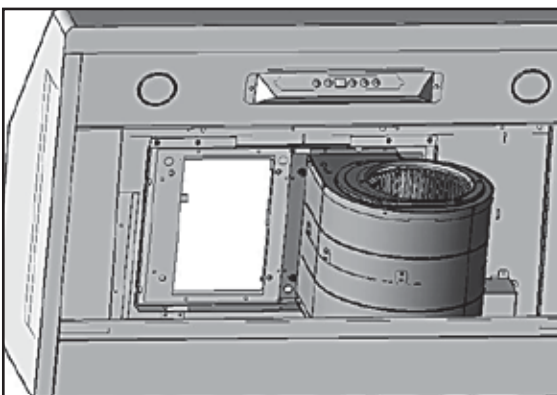
2. Remove (4) screws at top of hood body attaching blower to single blower plate. Remove blower from hood body.



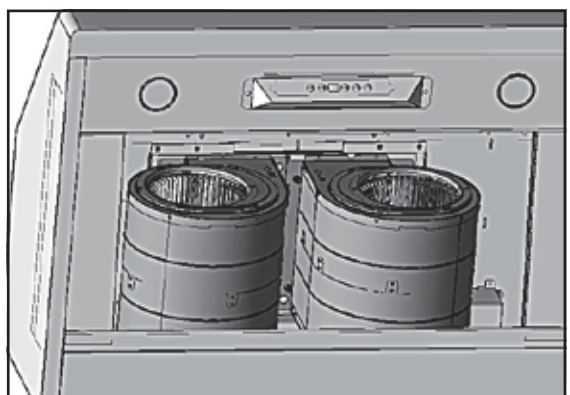
3. Remove (4) screws from inside hood body attaching single blower plate. Remove single blower plate from hood body.



4. Install dual blower plate from PBD-1200A kit into hood body. Attach by (4) screws previously removed from step 3.

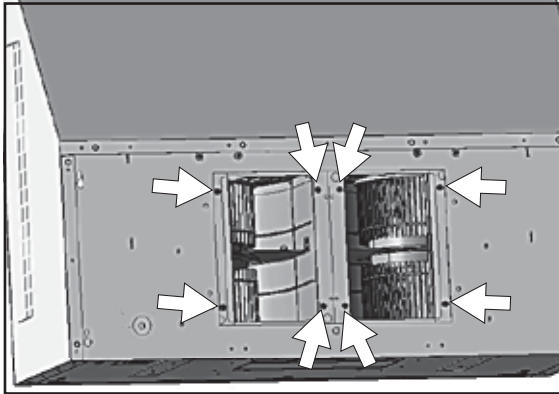


5. Install previously removed blower onto one side of dual blower plate and attach by (4) previously removed screws from step 2.

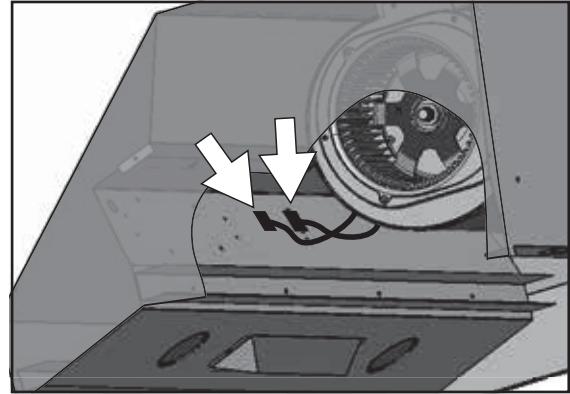


6. Install blower from PBD-1200A kit onto other side of dual blower plate by (4) 3/16 x 3/8 screws.

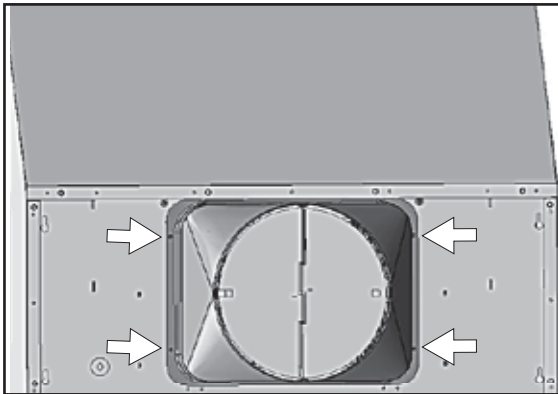
Installation – PBD-1200A Dual Blower



7. Dual Blower screw mount locations.



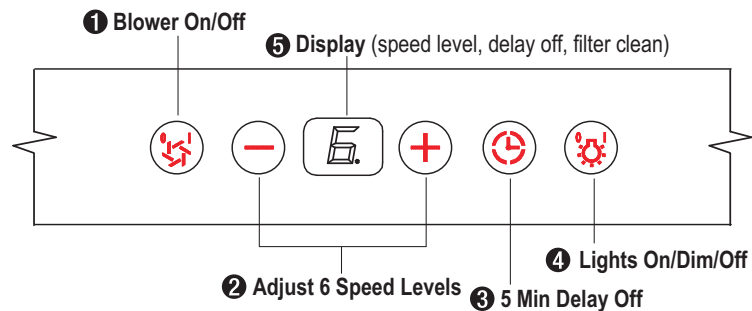
8. Connect blower wire extension cable from PBD-1200A kit to new blower. Connect both blower plugs.



9. Place 10" round adapter (included with PBD-1200A) on top of hood and secure with (4) M3.5 x 8 screws.

NOTE: To secure the 10" transition adapter to top of hood a cut out of 14 1/2" width x 10 1/2" depth will need to be made in the cabinet bottom.

If internal cabinet dimensions prevent this size of a cut out then the 10" transition adapter may be mounted to the cabinet bottom rather than the top of the hood. Cut out dimensions for this type of installation are 13 1/4" width x 6 1/4" depth.



1. Blower On/Off

By pressing the blower is switched on and off. When switched on, the blower starts up on speed level 1.

ACT Verification

- Airflow Control Technology (ACT) allows the installer to set the maximum blower CFM to align with local codes and regulations.
 - To verify the maximum blower CFM:
 - With hood off, hold the button for 3-4 seconds. If number 6 displays = default max. CFM, if number 3 displays = max. 390 CFM, and if number 2 displays = max. 290 CFM.

2. Speed Selection

The 6 speed levels are selected by pressing to decrease and to increase speed levels. The display indicates levels selected.

ACT Enabled Speed Selections

- When ACT is enabled, the number of blower speeds will be reduced as follows:
 - 390 CFM = Maximum 3 speeds
 - 290 CFM = Maximum 2 speeds

3. Delay Off

This feature is used for programmed shut down of blower 5 minutes after the function is activated. Press once, a dot flashes in the lower right side of display indicating the function is on. The blower will completely shut down after 5 minutes.

4. Lights On/Dim/Off


Switch lights on by pressing once, press a second time to dim and again to shut off lights.

5. Display Window




The display window indicates speed levels and features such as baffle filter clean reminder, delay off and clean air indicator.

Charcoal Filter Change Reminder (charcoal filter, if installed)


When your hood is installed as a recirculating unit, it is fitted with a set of charcoal filters to purify exhaust and fumes from cooking, then re-circulates the air within the home. These charcoal filters are required to be replaced after every 120 hours of use. The charcoal filters should never be cleaned or placed in a dish washer.

The filter change reminder function in the microprocessor needs to be switched on. When switched on, the microprocessor will elapse and count usage time and indicate by a flashing  when charcoal filter replacements are needed.




Setting the Filter Change Reminder

When off, hold  for approximately 5 seconds. The display will change from  (exhaust mode) to  (recirculating mode) this indicates that the elapse timer function is switched on and charcoal filters are used.

Filter Replace Indicator

When the display  starts flashing, the charcoal filters need to be replaced.

Re-setting Function

Once filters are replaced, with hood off, press and hold  the display will appear; hold for approximately 5 seconds until  on displays disappears . The filter change reminder is now re-set and a new 120 hour elapse cycle is initiated.



Set Mode

hold 5 sec. display from  to 

**Change Filters**

display  flashes

**To Reset**

hold 5 sec. display from  to 



Baffle Filter Clean Reminder

A set of baffle filters are fitted by the factory, these baffle filters are intended to filter out residue from cooking. The filters need not be replaced on a regular basis but are required to be kept clean. The Baffle-Filter Clean reminder function in the microprocessor will automatically indicate by a flashing **F** when the baffle filters need to be cleaned after every 30 hours of use. Filters can be cleaned by hand with non-abrasive soap or in a dishwasher. Heavily soiled filters should also be soaked in grease cutting detergent prior to cleaning.

Baffle Filter Clean Indicator

When **F** flashes on the display, the baffle filters need to be cleaned. This will occur after every 30 hours of use.

Reset the filter clean reminder timer after filters are cleaned and re-installed. With hood off, press and hold **-** for approximately 5 seconds until **F** on display disappears **□**. The filter clean reminder function is now reset and a new 30 hours elapse cycle is initiated.

Clean Filters

display < F > flashes



To Reset

hold 5 sec. display from < F > to < >



Clean Air Function

Clean Air is a feature that turns on the blower on low speed every 4 hours for 10 minutes to remove stagnant air in the kitchen. The Clean Air function is disabled by default and must be enabled by the user.

Clean Air Indicator

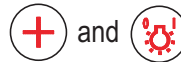
While Clean Air is active, the display will alternate between **A**, **T**, **A**, **T**.

After 10 minutes of Clean Air operation, the blower will power off and the 4 hour timer will reset.

If the blower speed is changed while the Clean Air Function is in use, the cycle will be interrupted and the timer will reset after.

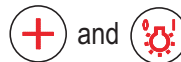
To Enable

hold 3 sec. display < A > flashes



To Disable

hold 3 sec. display from < A > to < >

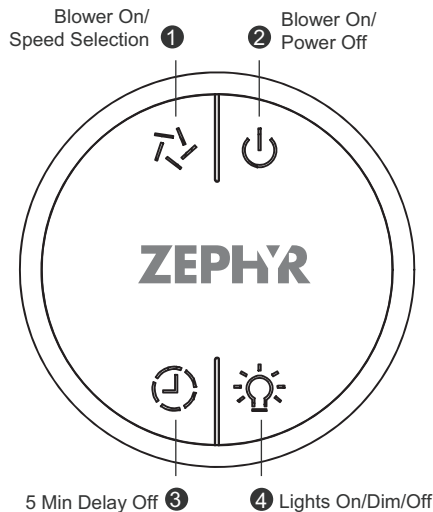


FCC Caution: To assure continued compliance, any changes or modifications not expressly approved by the party responsible for compliance could void the user's authority to operate this equipment. (Example - use only shielded interface cables when connecting to computer or peripheral device. This device complies with Part 15 of the FCC Rules. Operation is subject to the following two conditions. (1) This device may not cause harmful interference, and (2) This device must accept any interference received, including interference that may cause undesired operation.

SYNCHRONIZATION: To create a unique link between your hood and remote control please follow these steps:

1. With hood off, press and hold the "lights" button on the hood until the letter "F" shows on the display screen.
2. Press the "lights" button on the remote, the lights on the hood will turn on and synchronization is complete.

RF REMOTE FUNCTIONS:



1 Blower On / Speed Selection

Press to power on blower and cycle through all six blower speeds.

2 Blower On / Power Off

By pressing , the blowers will power on at the last speed setting. Press again and the entire hood will power off, including lights.

3 Delay Off

By pressing , the blower and lights will enter Delay Off mode. A dot will appear in the lower right corner of the hood display indicating the function is on. The blower will change to speed 1 and shut down after 5 minutes.

4 Lights On / Dim / Off

Switch lights On by pressing once, again to dim and again to switch Off.

RF REMOTE FEATURES:

The RF remote control is equipped with a magnet on the back for easy storage. The remote may be placed on any magnetic surface such as a refrigerator or the Zephyr remote holder, FIG. 1. The remote holder can be inserted into a standard electrical outlet for easy storage. Note: The remote holder does not charge the RF remote.

Maximum remote control communication distance is 15 feet from the hood.

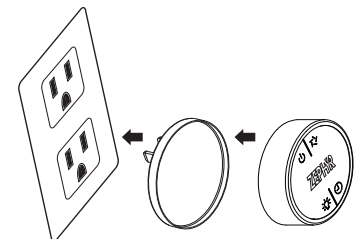


FIG. 1

RF REMOTE MAINTENANCE:

Clean the remote control using non abrasive detergents

Follow instructions below for replacing battery.

Using a small flat head screwdriver, raise the cover of the battery door (A) in order to access the battery compartment. FIG. 2.

Remove the battery and replace with battery type **A23 12V**. Negative end of battery should face the spring inside the remote.

Re-install battery door and recycle old battery.

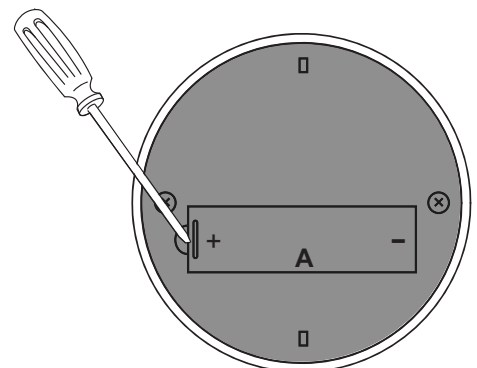


FIG. 2

THE RF REMOVE CONTROL IS AN OPTIONAL ACCESSORY NOT INCLUDED WITH THE HOOD AND MUST BE PURCHASED SEPARATELY

SURFACE MAINTENANCE:

Clean periodically with hot soapy water and clean cotton cloth. Do not use corrosive or abrasive detergent, or steel wool/scouring pads which will scratch and damage surface. Do not use products containing chlorine bleach or orange cleaners.

For heavier soil use liquid degreaser.

After cleaning, you may use non-abrasive stainless steel polish/ cleaners, to polish and buff out the stainless luster and grain. Always scrub lightly using a micro fiber or clean cotton cloth and with grain.

Stainless Steel Baffle Filters

The stainless steel baffle filters are intended to trap residue and grease from cooking. Although the filters should never need replacing, they are required to be cleaned every 30 days or more often depending on cooking habits.

Filters may be placed in dishwasher at low heat or soaked in hot soapy water. Dry filters and re-install before using hood.

Removing Baffle Filters, FIG. 3

1. Push filter toward back of range hood using handles.
2. Pivot front of filter downward.
3. Remove filter by pulling away from hood.

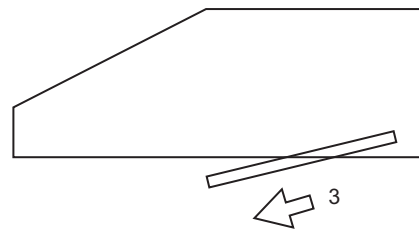
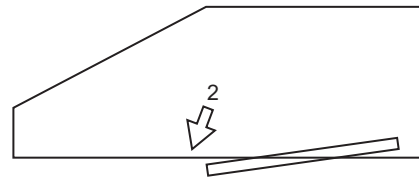
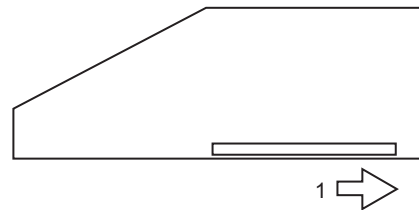


FIG. 3

Replacing Baffle Filters

Hood Model:	Part No.	Qty. to Order.
AK7000BS	50210020	2
AK7036BS	50210020	3
AK7042BS	50210020	3

Recirculating Kit (includes charcoal filters and air diverter)

Hood Model:	Part No.	Qty. to Order.
AK7000BS	ZRC-7000B	1
AK7036BS	ZRC-7036B	1
AK7042BS	ZRC-7042B	1

Replacement Charcoal Filters also available by ordering part number Z0F-C002.

See manual included with recirculating kit for more information.

REPLACING LIGHT BULBS

CAUTION: Light bulb becomes extremely hot when turned on.

DO NOT touch bulb until switched off and cooled. Touching hot bulbs could cause serious burns.

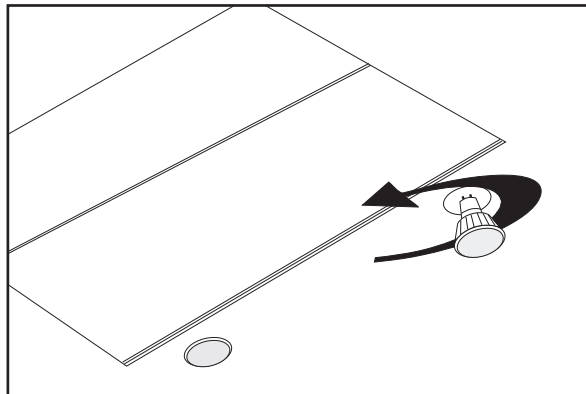
Make sure all power is turned off and bulbs are not hot.

Remove by turning bulb counter clockwise. **Note:** Bulb does not unscrew; it turns 60 degrees, stops and falls out.

If bulbs are difficult to turn due to prolonged use, firmly attach the provided glass suction cup or use a rubber/ latex glove and turn counter clockwise.

Replacement bulbs are available at specialty lighting stores. Purchase type MR16 (GU-10) 35W halogen.

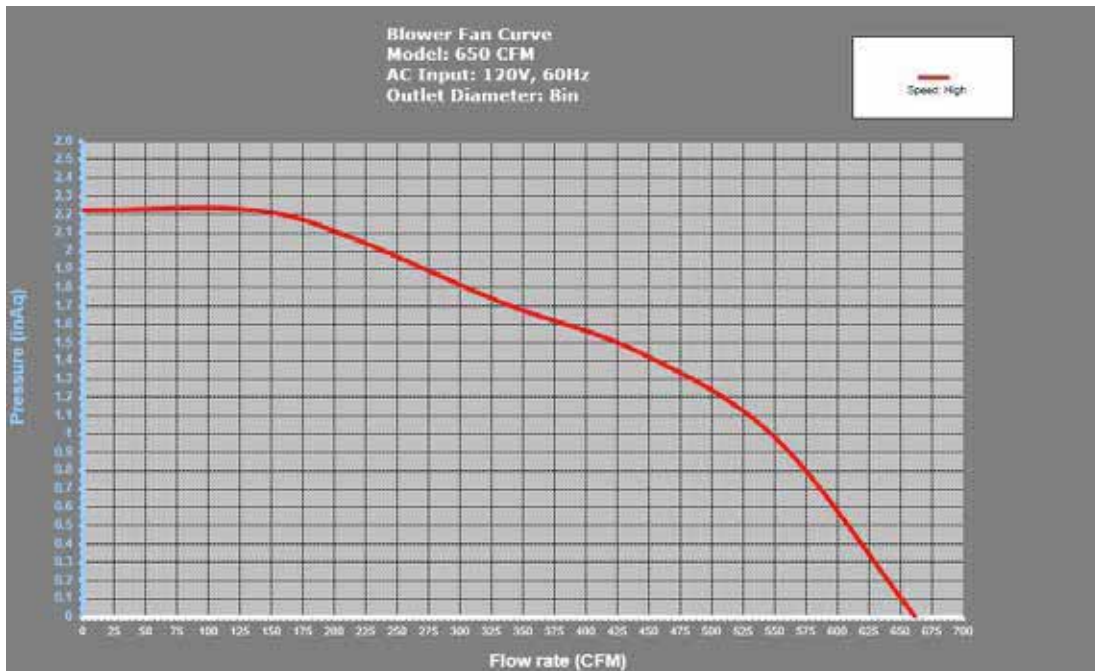
For Zephyr part numbers please turn to page 25 of the manual.



TROUBLESHOOTING PROCEDURES FOR TEMPEST I

Issue	Cause	What to do
After installation, the unit doesn't work.	1. The power source is not turned ON.	1. Make sure the circuit breaker and the unit's power is ON.
	2. The power line and the cable locking connector is not connecting properly.	2. Check the power connection with the unit is connected properly.
	3. The switch board and control board wirings are disconnected.	3. Make sure the wirings between the switch board and control board are connected properly.
	4. The wires on control board are loose.	4. Make sure the wires on the control board are connected properly.
	5. The switch board or control board is defective.	5. Change the switch board or control board.
Lights work, but blower is not turning.	1. The blower wire is not connected.	1. Make sure the blower wire is plugged into the molex connector.
	2. Blower molex plug pin is not making contact.	2. Disconnect the blower molex plug, check pins inside plug to see if pin is pushed inside the plug too far. Reseat pin if needed.
	3. The blower is defective, possible seized.	3. Change the blower.
	4. The thermally protected system detects if the blower is too hot to operate and shuts the blower down.	4. The blower will function properly after the thermally protected system cool down.
	5. Damaged capacitor.	5. Change the capacitor.
The unit is vibrating.	1. The blower is not secure in place.	1. Tighten the blower in place.
	2. Damaged blower wheel.	2. Change the blower.
	3. The hood is not secured in place.	3. Check the installation of the hood.
The blower is working, but the lights are not.	1. The light bulb plug is disconnected.	1. Connect the light bulb plug.
	2. Defective halogen bulb.	2. Change the halogen bulb.
	3. The light bulb is loose.	3. Tighten the light bulb.
The speed levels of the blower sound the same.	1. Using the wrong size of ducting.	1. Change the ducting to at least 8" round or 3-1/4"x10" rectangular for single blower or 10" round for dual blower.
The hood is not venting out properly.	1. The hood might be hanging too high from the cook top.	1. Adjust the distance between the cook top and the bottom of the hood within 26" and 36" range.
	2. The wind from the opened windows or opened doors in the surrounding area are affecting the ventilation of the hood.	2. Close all the windows and doors to eliminate the outside wind flow.
	3. Blockage in the duct opening or duct work.	3. Remove all the blocking from the duct work or duct opening.
	4. The direction of duct opening is against the wind.	4. Adjust the duct opening direction.
	5. Using the wrong size of ducting.	5. Change the ducting to correct size.
Metal filter is vibrating.	1. Metal filter is loose.	1. Change the metal filter.
	2. Spring clip is broken.	2. Change the spring clip.
RF Remote control does not work.	1. Battery is dead.	1. Replace the battery with type A23 12v.
	2. Poor communication with the hood.	2. Remote must be within 15 feet of the hood.
	3. RF remote lost communication with the hood.	3. Reset the hood and remote by switching the power off at the circuit breaker for 5 minutes. Perform remote synchronization process on page 18.
The blower turns on by itself.	1. The clean air function has been enabled turning the blower on every 4 hours.	1. Disable the clean air function by following the steps on page 17.

Single Blower Fan Curve Diagram



Dual Blower Fan Curve Diagram



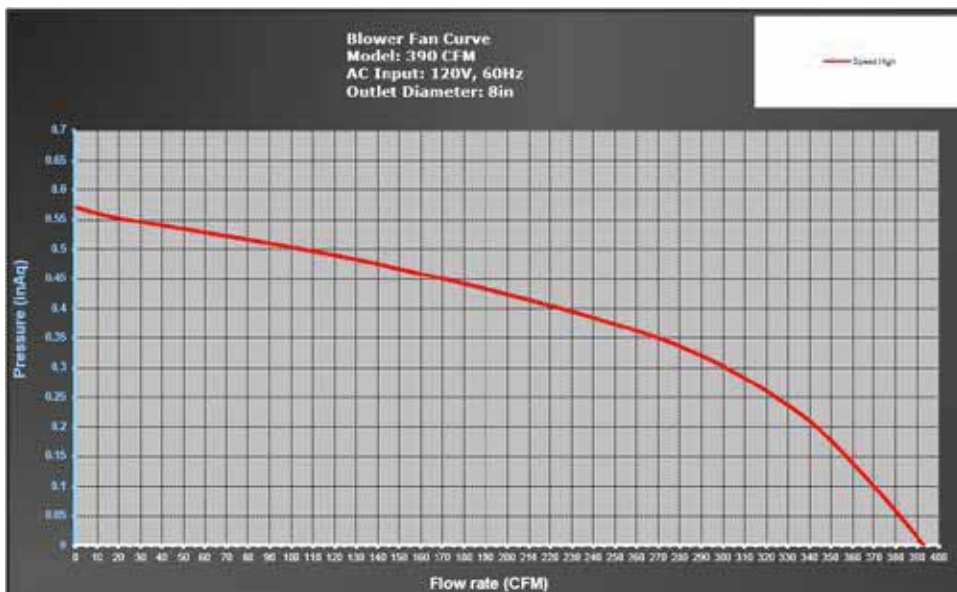
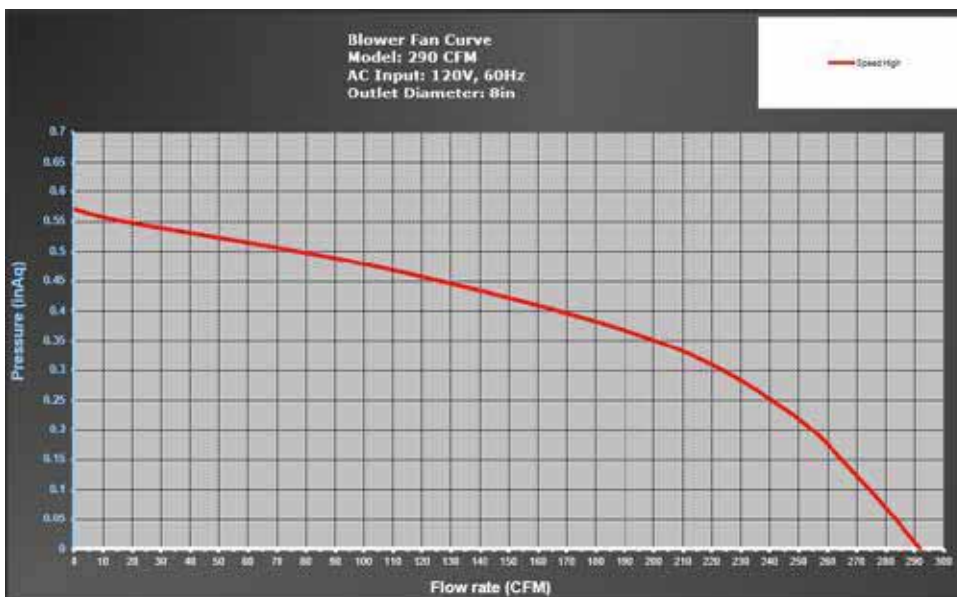
Fan Curve Diagrams

Airflow Control Technology (ACT)

Some local codes limit the maximum amount of CFM a range hood can move. ACT allows you to control the maximum blower CFM of hoods with of select Zephyr Ventilation range hoods without the need for expensive make up air kits. ACT enables the installer to easily set the maximum blower speed to one of two most commonly specified CFM levels; 390 or 290 CFM. The usage of ACT may not be necessary for your installation. Please check your local codes for CFM restrictions.

By default the maximum blower CFM is set to 650.

To verify if your installer enabled ACT; With hood off, press and hold the blower on/off button for three seconds. If the number 6 displays = default max. CFM, if the number 3 displays = max. 390 CFM, and if the number 2 displays = max. 290 CFM. When ACT is enabled, the number of blower speeds will be reduced. 390 CFM = max. 3 speeds and 290 CFM = max. 2 speeds. There should also be a foil label located inside the hood body near the wiring diagram that indicates the blower CFM.



DESCRIPTION	PART #
Replacement Parts	
Light Bulb MR16 (GU10) 35W (each)	Z0B-0023
Baffle Filter (each)	50210020
Optional Accessories	
Dual Internal Blower Kit (w/ 1 blower) *	PBD-1200A
Recirculating Kit (30") **	ZRC-7000B
Recirculating Kit (36") **	ZRC-7036B
Recirculating Kit (42") **	ZRC-7042B
Backsplash w/Shelves (AK7000BS)	AK0710
Backsplash w/Shelves (AK7036BS)	AK0716
Backsplash w/Shelves (AK7042BS)	AK0712
Universal Make-Up Air Damper, 650 CFM	MUA008A
Universal Make-Up Air Damper, 1200 CFM	MUA010A

To order parts, visit us online at <http://store.zephyronline.com> or call us at 1.888.880.8368

***Dual Internal Blower Kit only compatible with AK7036BS and AK7042BS**

****Recirculating kit only compatible with single internal blower, not dual internal blower.**

ZEPHYR

Limited Warranty

STAPLE YOUR RECEIPT HERE
Proof of the original purchase
date is needed to obtain
service under warranty

TO OBTAIN SERVICE UNDER WARRANTY OR FOR ANY SERVICE RELATED QUESTIONS, please call:
1-888-880-8368

Zephyr Corporation (referred to herein as “we” or “us”) warrants to the original consumer purchaser (referred to herein as “you” or “your”) of Zephyr products (the “Products”) that such Products will be free from defects in materials or workmanship as follows:

Three Year Limited Warranty for Parts: For three years from the date of your original purchase of the Products, we will provide, free of charge, Products or parts (including LED light bulbs, if applicable) to replace those that failed due to manufacturing defects. We may choose, in our sole discretion, to repair or replace parts before we elect to replace the Products.

One Year Limited Warranty for Labor: For one year from the date of your original purchase of the Products, we will provide, free of charge, the labor cost associated with repairing the Products or parts to replace those that failed due to manufacturing defects. After the first year from the date of your original purchase, you are responsible for all labor costs associated with this warranty.

Warranty Exclusions: This warranty covers only repair or replacement, at our option, of defective Products or parts and does not cover any other costs related to the Products including but not limited to: (a) normal maintenance and service required for the Products and consumable parts such as incandescent or halogen light bulbs, metal and carbon filters and fuses; (b) any Products or parts which have been subject to freight damage, misuse, negligence, accident, faulty installation or installation contrary to recommended installation instructions, improper maintenance or repair (other than by us); (c) commercial use of the Products or use otherwise inconsistent with its intended purpose; (d) natural wear of the finish of the Products or wear caused by improper maintenance, use of corrosive and abrasive cleaning products, pads, and oven cleaner products; (e) chips, dents or cracks caused by abuse or misuse of the Products; (f) service trips to your home to teach you how to use the Products; or (g) damage to the Products caused by accident, fire, floods or act of God. If you are outside our service area, additional charges may apply for shipping costs for warranty repair at our designated service locations and for the travel cost to have a service technician come to your home to repair, remove or reinstall the Products. After the first year from the date of your original purchase, you are also responsible for all labor costs associated with this warranty.

Limitations of Warranty. OUR OBLIGATION TO REPAIR OR REPLACE, AT OUR OPTION, SHALL BE YOUR SOLE AND EXCLUSIVE REMEDY UNDER THIS WARRANTY. WE SHALL NOT BE LIABLE FOR INCIDENTAL, CONSEQUENTIAL OR SPECIAL DAMAGES ARISING OUT OF OR IN CONNECTION WITH THE USE OR PERFORMANCE OF THE PRODUCTS. THE EXPRESS WARRANTIES IN THE PRECEDING SECTION ARE EXCLUSIVE AND IN LIEU OF ALL OTHER EXPRESS WARRANTIES. WE HEREBY DISCLAIM AND EXCLUDE ALL OTHER EXPRESS WARRANTIES FOR THE PRODUCTS, AND DISCLAIM AND EXCLUDE ALL WARRANTIES IMPLIED BY LAW, INCLUDING THOSE OF MERCHANTABILITY AND FITNESS FOR A PARTICULAR PURPOSE. Some states or provinces do not allow limitations on the duration of an implied warranty or the exclusion or limitation of incidental or consequential damages, so the above limitations or exclusions may not apply to you. To the extent that applicable law prohibits the exclusion of implied warranties, the duration of any applicable implied warranty is limited to the same two-year period described above. Any oral or written description of the Products is for the sole purpose of identifying the Products and shall not be construed as an express warranty. Prior to using, implementing or permitting use of the Products, you shall determine the suitability of the Products for the intended use, and you shall assume all risk and liability whatsoever in connection with such determination. We reserve the right to use functionally equivalent refurbished or reconditioned parts or Products as warranty replacements or as part of warranty service. This warranty is not transferable from the original purchaser and applies in the United States and Canada.

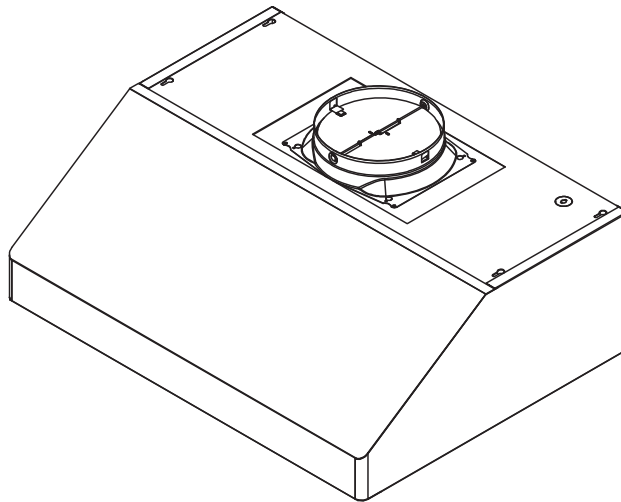
To Obtain Service Under Limited Warranty: To qualify for warranty service, you must: (a) notify us at the address or telephone number stated below within 60 days of the discovery of the defect; (b) give the model number and part identification number and serial number; and (c) describe the nature of any defect in the Product or part. At the time of the request for warranty service, you must present evidence of your proof of purchase and proof of the original purchase date. If we determine that the warranty exclusions listed above apply or if you fail to provide the necessary documentation to obtain service, you will be responsible for all shipping, travel, labor and other costs related to the services.

Please check our website for any revisions, www.zephyronline.com.

Guide d'utilisation, d'entretien et d'installation

Tempest I

AK7000BS
AK7036BS
AK7042BS



Numéro de modèle : _____
Numéro de série : _____
Date d'achat : _____
Détaillant: _____



MISE EN GARDE DE SÉCURITÉ	2-3	
LISTE DU MATÉRIEL	4	
 INSTALLATION		
Feuille de calcul pour le conduit.....	5	
Espace libre et hauteur de montage.....	6	
Options d'installation pour le conduit.....	7	
Spécifications.....	8	
Installation de la hotte.....	9-10	
Conversion horizontale.....	11-12	
Ventilateur double PBD-1200A.....	13-14	
 COMMANDES ET CARACTÉRISTIQUES		
Commandes à effleurement et caractéristiques.....	15-17	
Commande à distance optionnelle	18	
 ENTRETIEN		
Nettoyage des filtres et recirculation.....	19	
Ampoules.....	20	
 DÉPANNAGE		21
 SCHÉMAS DE CÂBLAGE		22
 DIAGRAMMES DES COURBES CARACTÉRISTIQUES DES VENTILATEURS		23-24
 LISTES DES ACCESSOIRES ET DES PIÈCES		25

AVERTISSEMENT

POUR RÉDUIRE LES RISQUES D'INCENDIE OU DE DÉCHARGE ÉLECTRIQUE, N'UTILISEZ PAS CET APPAREIL AVEC UN TABLEAU DE COMMANDE À SEMI-CONDUCTEURS.

AVERTISSEMENT

POUR RÉDUIRE LES RISQUES D'INCENDIE, DE DÉCHARGE ÉLECTRIQUE OU DE BLESSURE, RESPECTEZ CES CONSIGNES :

- N'utilisez cet appareil que de la manière prévue par le fabricant. Si vous avez des questions, communiquez avec le fabricant.
- Avant de procéder au nettoyage ou à l'entretien de l'appareil, éteignez l'alimentation du panneau électrique et bloquez le dispositif de déconnexion pour éviter que l'alimentation électrique ne soit accidentellement rallumée. Si le dispositif de sectionnement d'électricité ne peut être bloqué, attachez un avertissement (comme une étiquette) bien en vue sur le tableau électrique.

ATTENTION

Pour ventilation générale seulement. N'utilisez pas cet appareil pour évacuer des vapeurs et des matériaux explosifs ou dangereux. Prenez garde lors de l'utilisation d'agents nettoyants ou de détergents. Ne devrait être utilisé que dans la cuisine de votre maison.

AVERTISSEMENT

POUR RÉDUIRE LES RISQUES DE FEU DE GRAISSE SUR LA SURFACE DE CUISSON :

- Ne laissez jamais l'appareil sans surveillance lors de son utilisation à haute température. Les débordements par bouillonnement causent de la fumée et des déversements de graisse qui peuvent prendre feu. Faites chauffer l'huile à des températures basses ou moyennes.
- Allumez toujours la hotte lorsque vous cuisinez à haute température ou que vous faites flamber des aliments.
- Nettoyez fréquemment les ventilateurs de la hotte. La graisse ne devrait jamais s'accumuler dans les ventilateurs ou les filtres.
- Utilisez des poêlons aux dimensions adéquates. Utilisez toujours une batterie de cuisine correspondant aux dimensions de l'élément.
- Assurez-vous que le ventilateur, les filtres et les surfaces où la graisse pourrait s'accumuler sont toujours propres.
- Utilisez le réglage haut de la hotte seulement lorsque nécessaire.
- Ne laissez pas la hotte sans surveillance lorsque vous cuisinez.
- Utilisez toujours une batterie de cuisine et des ustensiles convenant au type et à la quantité de nourriture que vous préparez.

AVERTISSEMENT

POUR RÉDUIRE LES RISQUES DE BLESSURE LORS D'UN INCENDIE SUR LA SURFACE DE CUISSON :

- ÉTOUFFEZ LES FLAMMES avec un couvercle, une plaque à biscuits ou un plateau de métal et éteignez ensuite le brûleur. PRENEZ GARDE AUX RISQUES DE BRÛLURE. Si les flammes ne disparaissent pas, ÉVACUEZ LES LIEUX ET APPELEZ LE SERVICE D'INCENDIE.
- NE PRENEZ JAMAIS UN POÉLON EN FEU – Vous pourriez vous brûler.
- N'UTILISEZ PAS D'EAU, ou un linge à vaisselle mouillé – une violente explosion de vapeur s'ensuivra.
- Utilisez un extincteur SEULEMENT si :
 - Vous savez que vous possédez un extincteur de classe ABC et vous savez vous en servir.
 - Le feu est faible et ne s'est pas répandu depuis son point d'origine.
 - Vous avez appelé le service d'incendie.
 - Vous pouvez sortir facilement de l'endroit où vous combattez le feu.

AVERTISSEMENT

POUR RÉDUIRE LES RISQUES D'INCENDIE, DE DÉCHARGE ÉLECTRIQUE OU DE BLESSURE, SUIVEZ LES CONSIGNES SUIVANTES :

- Les travaux d'installation et de câblage électrique doivent être faits par une personne qualifiée selon les stipulations de tous les normes et standards en vigueur, dont les normes des constructions ayant une cote de résistance au feu.
- Pour prévenir les contre-explosions, une certaine quantité d'air est nécessaire pour la combustion et l'évacuation des gaz par le carneau (cheminée) de l'appareil de combustion. Respectez les directives du fabricant d'outillage de chauffage et les normes de sécurité comme celles publiées par la NFPA (Association nationale des services d'incendie), par la Société américaine des ingénieurs en chauffage, réfrigération et climatisation (ASHRAE) et par les normes des autorités locales.
- Lorsque vous coupez ou percez un mur ou un plafond, assurez-vous de ne pas endommager le câblage électrique ou toute autre installation technique dissimulée.
- Les ventilateurs canalisés doivent toujours évacuer l'air à l'extérieur.
- N'installez JAMAIS un interrupteur à une distance atteignable depuis un bain ou une douche.
- Assurez-vous que l'alimentation électrique est éteinte avant de procéder à l'installation, au câblage ou à l'entretien de l'appareil.

ATTENTION

POUR RÉDUIRE LES RISQUES D'INCENDIE, N'UTILISEZ QUE DES CONDUITS D'AÉRATION EN MÉTAL.

ATTENTION

Pour réduire les risques d'incendie et pour évacuer l'air convenablement, assurez-vous de canaliser l'air à l'extérieur de la maison. N'installez pas l'échappement du conduit dans les espaces entre les murs, le plafond, le grenier, les vides sanitaires ou le garage.

Cet appareil n'est pas conçu pour être utilisé à l'extérieur.

FONCTIONNEMENT

Laissez toujours les grilles de sûreté et les filtres en place. Sans ces éléments, les ventilateurs en marche pourraient accrocher des cheveux, des doigts ou des vêtements amples.

Le fabricant se dégage de toute responsabilité dans les cas de non-respect des instructions transmises dans le présent manuel pour l'installation, l'entretien et l'utilisation adéquate du produit. Le fabricant se dégage également de toute responsabilité pour des blessures qui résulteraient de la négligence lors de l'utilisation. De plus, la garantie prend fin automatiquement lors de l'entretien inapproprié de l'appareil.

***NOTE : Veuillez communiquer avec nous ou visitez le www.zephyronline.com pour obtenir des révisions avant de procéder à des travaux sur commande.**

EXIGENCES ÉLECTRIQUES

Important :

Respectez tous les codes et règlements en vigueur.

Il est de la responsabilité du client de :

- Communiquer avec un installateur-électricien qualifié.
- S'assurer que l'installation électrique est adéquate et qu'elle respecte le Code national de l'électricité, la plus récente édition* du ANSI/NFPA 70 ou des normes du CSA C22.1-94, le Code canadien de l'électricité, section 1, la plus récente édition** du code C22.2 No.0-M91 ainsi que tous les codes et règlements en vigueur.

Si les codes permettent l'utilisation d'un fil de garde isolé et que vous en utilisez un, il est recommandé qu'un électricien qualifié détermine si le cheminement du fil est adéquat.

N'effectuez pas la mise à la terre à un tuyau de gaz.

Demandez à un électricien qualifié si vous n'êtes pas certain que la hotte a été mise à la terre adéquatement.

N'introduisez aucun fusible dans le circuit neutre ou de mise à la terre.

*National Fire Protection Association Batterymarch Park, Quincy, Massachusetts 02269

** CSA International 8501 East Pleasant Valley Road, Cleveland, Ohio 44131-5575

Cet appareil requiert une alimentation électrique de 120V 60Hz. Il doit être connecté à un circuit terminal individuel dûment mis à la terre, protégé par un disjoncteur de circuit ou un fusible temporisé de 15 ou 20 ampères. Le câblage doit compter 2 fils avec mise à la terre. Veuillez vous référer au Diagramme électrique étiqueté sur l'appareil.

Un raccord de câble (non inclus) pourrait également être exigé par les normes et réglementations locales. Informez-vous des exigences et des normes locales. Achetez et installez le connecteur approprié si nécessaire.

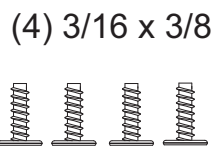
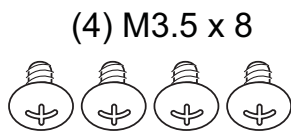
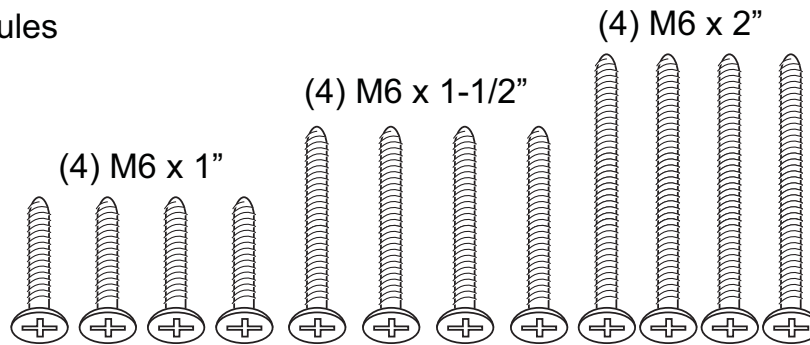
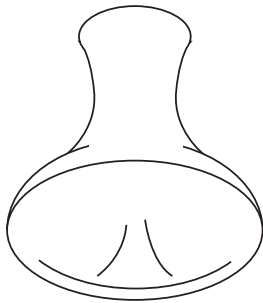
MODÈLES : AK7000BS, AK7036BS, AK7042BS

PIÈCES FOURNIES

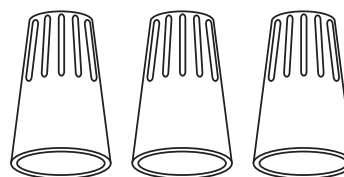
- 1 - Hotte
- 2 - Filtres défecteurs (3 - AK7036BS et AK7042BS)
- 2 - Ampoules halogènes (préinstallées)
- 1 - Ventilateur interne simple et plaque du ventilateur (préinstallés)
- 1 - Collier de départ rectangulaire (pour conduit horizontal avec ventilateur simple)
- 1 - Collier de départ circulaire de 8"
- 1 - Couvercle rectangulaire métallique (pour conduit horizontal avec ventilateur simple)
- 1 - Trousse de quincaillerie

CONTENU DE LA TROUSSE DE QUINCAILLERIE

(1) Ventouse pour enlever des ampoules



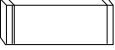


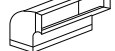







(3) Capuchons de connexion













PIÈCES NON FOURNIES

- Conduit et tous les outils d'installation
- Raccord de câble (si exigé par les codes en vigueur)
- Trousse de ventilateur double (PBD-1200A, compatible avec les modèles AK7036BS et AK7042BS seulement)
- Trousse de recirculation d'air*

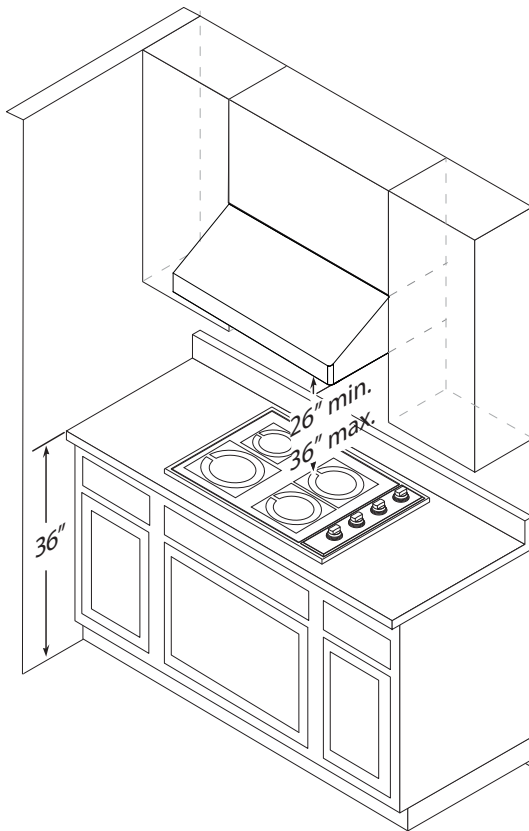
*La trousse de recirculation d'air n'est compatible qu'avec les ventilateurs internes simples, et pas avec les ventilateurs internes doubles.

Pièces de conduit		Longueur x Nombre utilisé	Total
	3-1/4" x 10" rect., droit	1 pi x () =	pi
	6" circ., droit	1 pi x () =	pi
	7" circ., droit	1 pi x () =	pi
	3-1/4" x 10" rect., coude à 90°	15 pi x () =	pi
	3-1/4" x 10" rect., coude à 45°	9 pi x () =	pi
	3-1/4" x 10" rect., coude plat à 90°	24 pi x () =	pi
	3-1/4" x 10" embout mural rect./registre	30 pi x () =	pi
	3-1/4" x 10" rect. à circ. de 6"	5 pi x () =	pi
	3-1/4" x 10" coude à 90° rect. à circ. de 6"	20 pi x () =	pi
	6" circ., coude à 90°	15 pi x () =	pi
	6" circ., coude à 45°	9 pi x () =	pi
Sous-total - colonne 1 =			pi

Pièces de conduit		Longueur x Nombre utilisé	Total
	6" embout mural circ./registre	30 pi x () =	pi
	6" chapeau de toiture circ.	30 pi x () =	pi
	6" circ. à rect. de 3-1/4" x 10"	1 pi x () =	pi
	6" circ. à rect. de 3-1/4" x 10", coude à 90°	16 pi x () =	pi
	7" or 10" circ., coude à 90°	15 pi x () =	pi
	7" or 10" circ., coude à 45°	9 pi x () =	pi
	7" or 10" embout mural circ./registre	30 pi x () =	pi
	7" or 10" circ., chapeau de toiture	30 pi x () =	pi
	7" circ. à rect. de 3-1/4" x 10"	8 pi x () =	pi
	7" circ. à rect. de 3-1/4" x 10", coude à 90°	23 pi x () =	pi
Sous-total - colonne 2 =			pi
Sous-total - colonne 1 =			pi
Total du conduit =			pi

Longueur maximale du conduit d'aération :

Pour un mouvement d'air convenable, la longueur totale d'un conduit d'aération ne devrait pas compter plus que l'équivalent de 100 pieds.



CONDUIT D'AÉRATION

Un conduit circulaire minimal de 8" ou rectangulaire de 3-1/4" x 10" doit être utilisé pour assurer un mouvement d'air maximale lors de l'utilisation d'un ventilateur simple. Lors de l'utilisation d'un ventilateur double, le conduit circulaire doit être de 10".

N'utilisez que des conduits en métal rigide. Les conduits souples pourraient réduire la circulation d'air jusqu'à 50 %.

Utilisez la feuille de calcul (page 5) pour obtenir la longueur totale du conduit lors de l'utilisation de coudes, de pièces de transition ou de couvercles.

Lorsqu'il possible de le faire, diminuez TOUJOURS le nombre de pièces et de changements de direction. Si un long tronçon de conduit est nécessaire, augmentez le diamètre du conduit de 8" à 10".

Si des changements de direction ou des

adaptateurs sont nécessaires, installez-les le plus loin possible de l'ouverture et le plus éloigné possible l'un de l'autre.

La hauteur de montage de la surface de la cuisinière au bas de la hotte ne devrait pas être inférieure à 26".

La hauteur de montage maximale ne devrait pas dépasser 36".

Il est important d'installer la hotte à la hauteur de montage adéquate. Les hottes installées trop basses pourraient être endommagées par la chaleur en plus de présenter des risques d'incendie plus élevés tandis que les hottes installées trop hautes seront difficiles à atteindre et verront leur efficacité et leur rendement réduits.

Si elles sont disponibles, consultez les exigences de hauteur d'espace libre requise par le fabricant de la cuisinière ainsi que la hauteur recommandée de montage de la hotte au-dessus de la surface de cuisson.

Conduit vertical :

8" circulaire minimum (ventilateur simple)
10" circulaire minimum (ventilateur double)

Conduit horizontal :

3-1/4"x10" minimum (ventilateur simple)
8" circulaire minimum (ventilateur simple)
Pas d'option horizontale avec les ventilateurs doubles

ENDOMMAGEMENT LORS DE LA LIVRAISON/ INSTALLATION :

- Veuillez vous assurer que toutes les pièces de l'appareil ne sont pas endommagées avant l'installation.
- Si l'appareil est endommagé durant la livraison, retournez l'appareil à l'endroit où vous l'avez acheté pour réparation ou remplacement.
- Si l'appareil est endommagé par le client, la réparation ou le remplacement est à la charge du client.
- Si l'appareil est endommagé par l'installateur

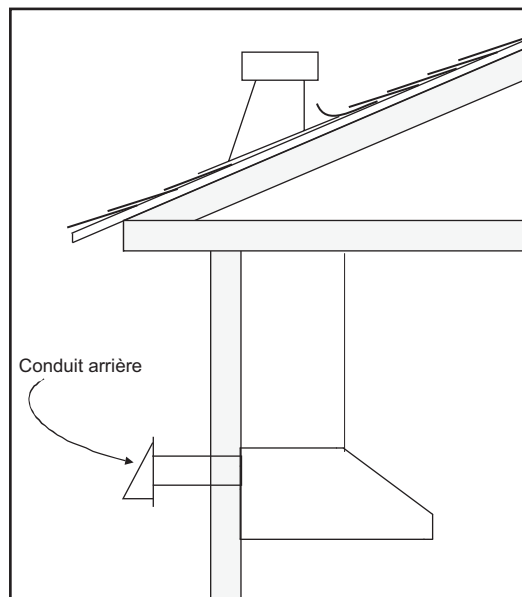
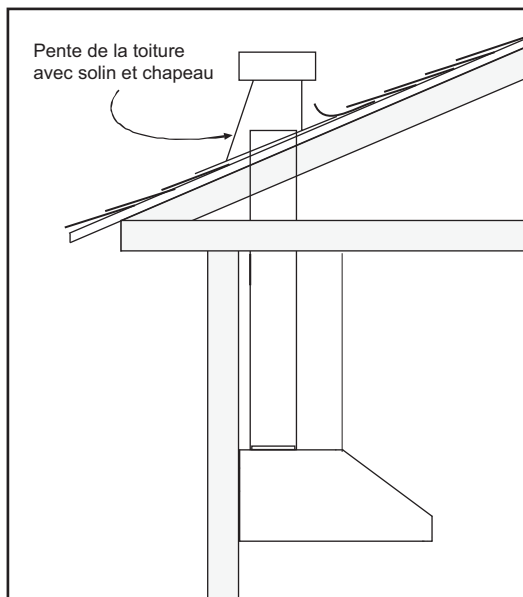
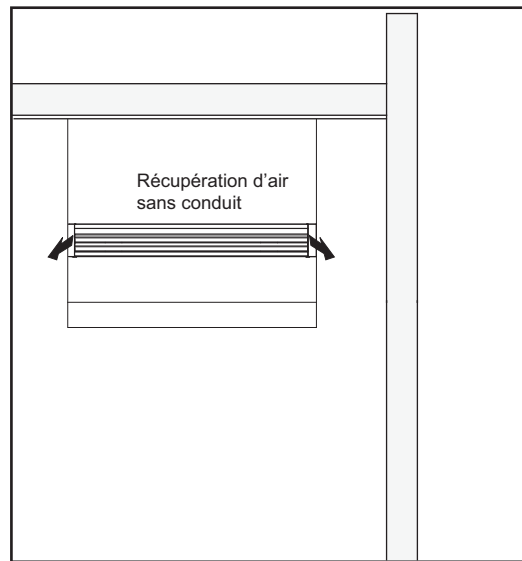
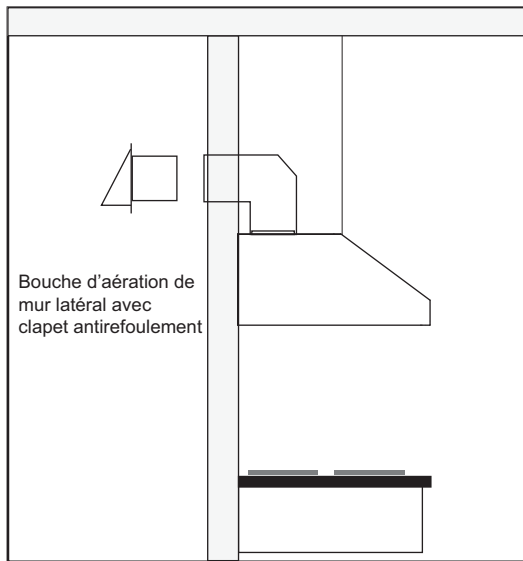
AVERTISSEMENT DE RISQUE D'INCENDIE

N'évacuez ou ne terminez JAMAIS l'échappement du conduit dans les espaces entre les murs, les vides sanitaires, le plafond, le grenier, ou le garage. Tous les échappements doivent être dirigés à l'extérieur de la maison.

N'utilisez que des conduits en métal pour cloison simple.

Fixez toutes les pièces du conduit avec des vis à tôle et isolez tous les joints avec du ruban à conduit en toile ou du ruban réflecteur certifié.

Exemples d'options pour le conduit d'aération



ÉLECTRICITÉ AVERTISSEMENT

Tous les travaux électriques doivent être réalisés par un électricien qualifié ou une personne avec l'expérience technique et le savoir-faire nécessaires.

Pour votre sécurité, enlevez le fusible ou éteignez le disjoncteur de circuit avant de commencer l'installation. N'utilisez pas de rallonge électrique ou d'adaptateur avec cet électroménager.

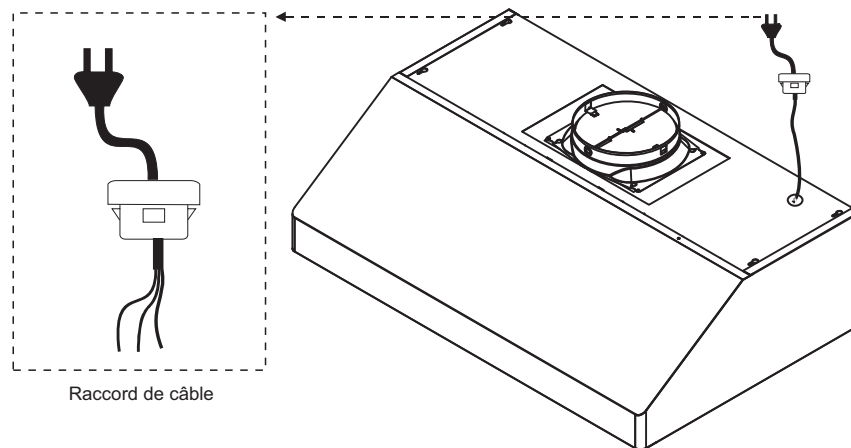
Suivez le code électrique national ou les codes et réglementations en vigueur.

Alimentation électrique :

Cet appareil requiert une alimentation électrique de 120V 60Hz et doit être connecté à un circuit terminal individuel dûment mis à la terre et protégé par un disjoncteur de circuit ou un fusible temporisé de 15 ou 20 ampères. Le câblage doit compter deux fils avec mise à la terre. Veuillez consulter le schéma de câblage étiqueté sur l'appareil.

Raccord de câble :

Les normes et réglementations locales peuvent également exiger l'utilisation d'un raccord de câble (non inclus). Informez-vous des exigences et des normes locales. Achetez et installez le connecteur approprié si nécessaire.

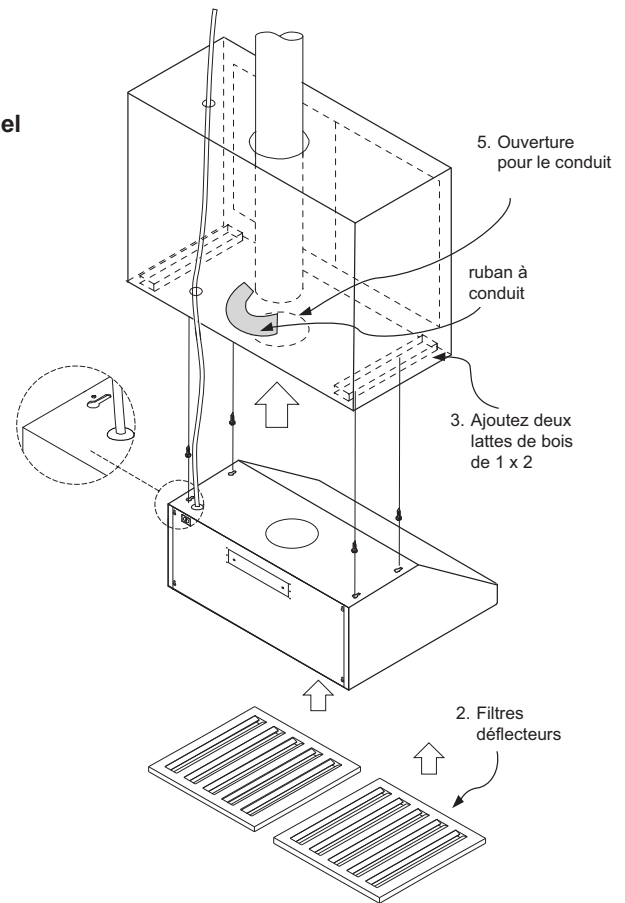


Veillez vous rapporter à la page 13 pour obtenir les instruction d'installation d'un ventilateur double.

Si vous utilisez le mode de recirculation d'air, consultez le manuel accompagnant la trousse de récupération d'air ZRC-07xxxB ou notre site Web avant de procéder à l'installation de la hotte. La trousse de recirculation d'air n'est compatible qu'avec les ventilateurs internes simples de 650 pi3/min.

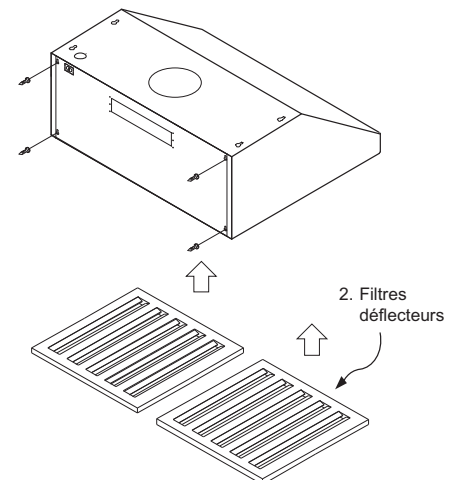
Pour une installation sous une armoire de cuisine

1. Choisissez le type d'installation de conduit désiré (vertical ou horizontal).
2. Commencez l'installation en enlevant les filtres déflecteurs.
3. Renforcez l'armoire avec des lattes de bois de 1" x 2" si du renforcement supplémentaire est nécessaire ou si les armoires sont encadrées.
4. Placez temporairement la hotte au lieu d'installation désiré. Mesurez et marquez au crayon les trous de montage ainsi que les endroits par où passeront le conduit et l'électricité. **NOTE :** Si vous utilisez un ventilateur interne simple, il vous faut pratiquer une ouverture pour un conduit circulaire de 8". Si vous utilisez un ventilateur interne double, veuillez consulter la page 14 pour connaître les dimensions de l'ouverture à pratiquer.
5. Pratiquez les ouvertures requises pour le conduit et l'électricité. Assurez-vous que l'ouverture pour le conduit est assez grande pour que vous puissiez appliquer du ruban à conduit.
6. Fixez la hotte à l'armoire avec quatre vis à bois M4 fournies.
7. Procédez à l'installation des composantes électriques.
8. Installez le conduit et le ruban à conduit.
9. Réinstallez les filtres déflecteurs.
10. Allumez la hotte et assurez-vous qu'il n'y a pas de fuites autour du ruban à conduit.



Pour une installation murale

1. Choisissez le type d'installation de conduit désiré (vertical ou horizontal).
2. Commencez l'installation en enlevant les filtres déflecteurs.
3. Placez temporairement la hotte au lieu d'installation désiré. Mesurez et marquez au crayon les trous de montage ainsi que les endroits par où passeront le conduit et l'électricité.
4. Pratiquez les ouvertures requises.
5. Fixez la hotte au mur avec les vis fournies.
6. Procédez à l'installation des composantes électriques.
7. Installez le conduit et le ruban à conduit.
8. Réinstallez les filtres déflecteurs.
9. Allumez la hotte et assurez-vous qu'il n'y a pas de fuites autour du ruban à conduit.

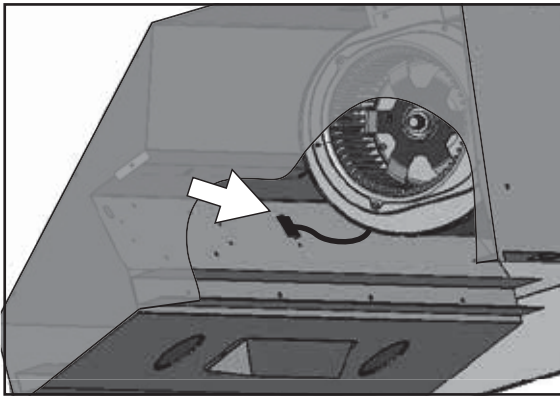


Cette hotte standard est munie d'une entrée pour conduit vertical circulaire de 8". Pour la convertir à un conduit horizontal circulaire de 8" ou rectangulaire 3-1/4" x 10", veuillez suivre les instructions ci-dessous.

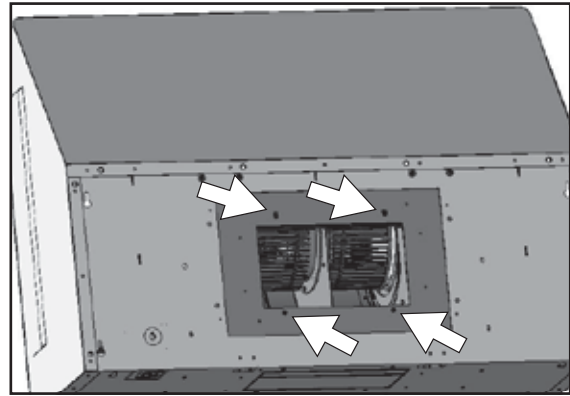
NOTE : L'option du conduit horizontal n'est disponible que lors de l'utilisation d'un ventilateur interne simple.

NOTE : Si vous souhaitez installer un conduit horizontal rectangulaire de 3-1/4" x 10", le débit d'évacuation d'air maximal de 650 pi³/min sera réduit à 550 pi³/min. Il n'y aura pas de conséquences sur les autres niveaux de pi³/min.

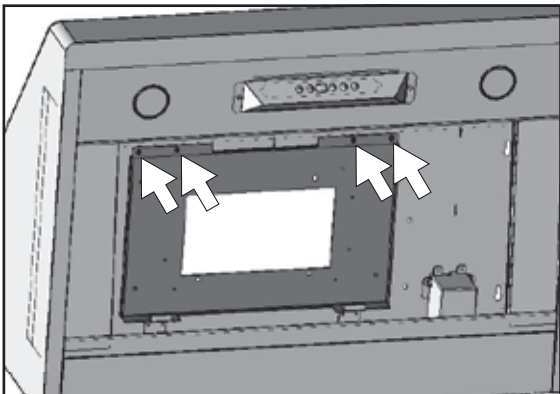
CONVERSION D'UN CONDUIT VERTICAL À UN CONDUIT HORIZONTAL



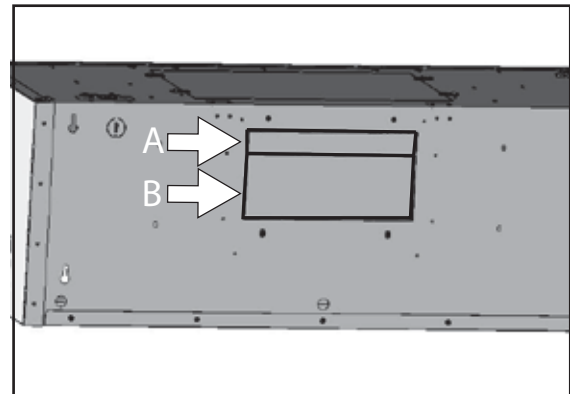
1. Débranchez la fiche du ventilateur.



2. Enlevez les quatre (4) vis de la partie supérieure de la hotte qui retiennent le ventilateur à la plaque. Retirez le ventilateur de l'intérieur du bâti de la hotte.

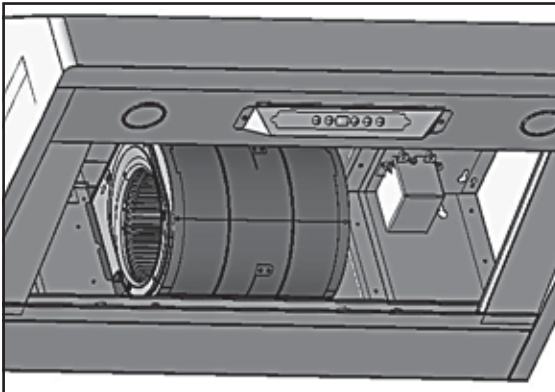


3. Enlevez les quatre (4) vis de l'intérieur de la hotte qui retiennent la plaque du ventilateur au bâti. Retirez la plaque du ventilateur.

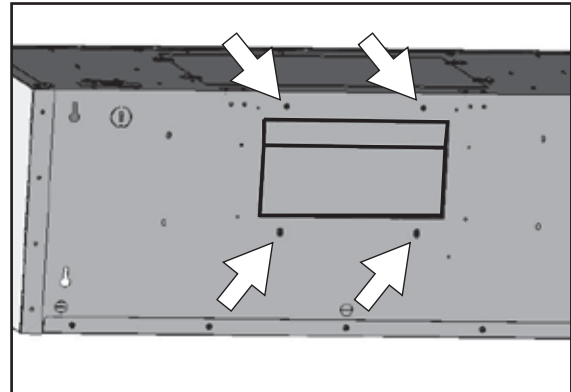


4. Enlevez les plaques défonçables arrière A et B pour installer un conduit circulaire arrière ou seulement la plaque B pour installer un conduit rectangulaire de 3-1/4" x 10".

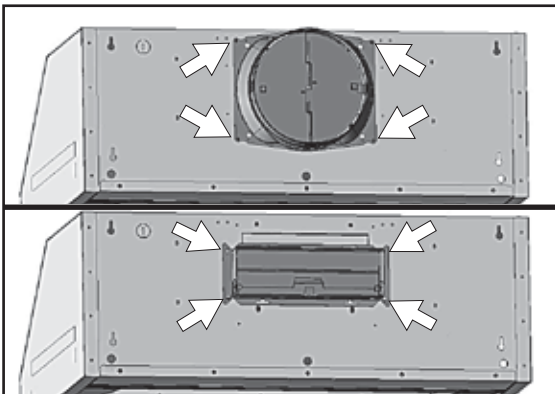
Installation – Conversion horizontale



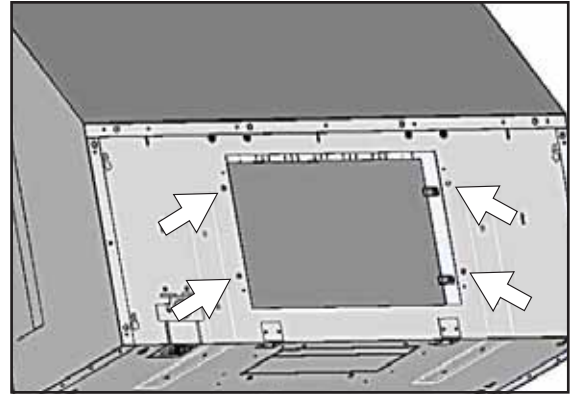
5. Placez le ventilateur à l'intérieur de la hotte, comme illustré.



6. Fixez le ventilateur au bâti de la hotte à partir de l'arrière de la hotte à l'aide des quatre (4) vis de ventilateur préalablement enlevées et rebranchez la fiche du ventilateur.



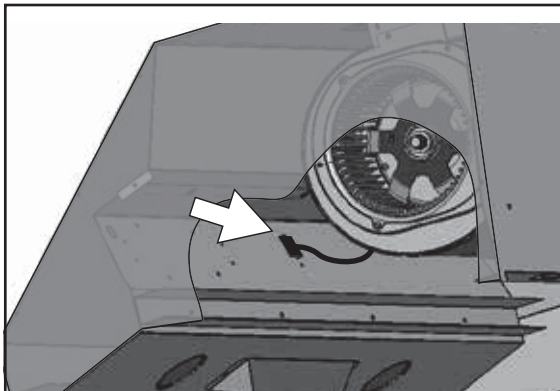
7. Fixez le collier de conduit circulaire de 8" ou rectangulaire de 3-1/4"x10" à l'arrière du bâti de la hotte à l'aide de quatre (4) vis M3.5 x 8.



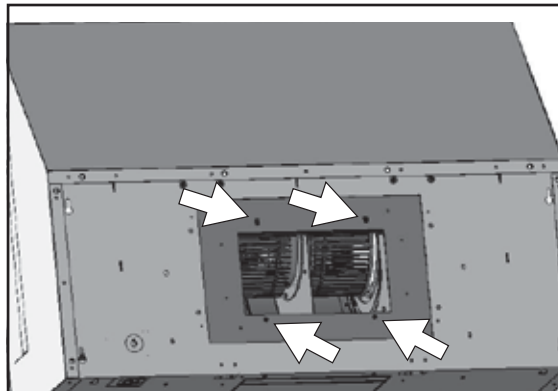
8. De corps de la hotte à l'intérieur, la position plaque de couverture supérieure en haut du corps de la hotte. De corps de la hotte à l'extérieur, fixez la plaque supérieure de la couverture en haut du corps de la hotte à l'aide (4) 3/16 x 3/8 vis.

Cette hotte standard est munie d'une entrée pour conduit vertical avec un ventilateur simple. Pour la convertir d'un conduit vertical à ventilateur simple à un conduit vertical à ventilateur double, veuillez suivre les instructions ci-dessous.

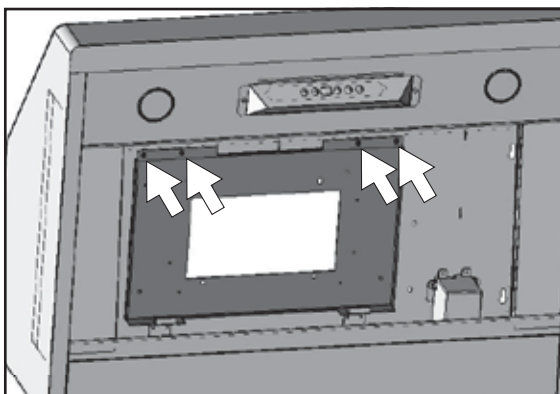
La trousse du ventilateur double PBD-1200A est compatible avec les modèles AK7036BS et AK7042BS.



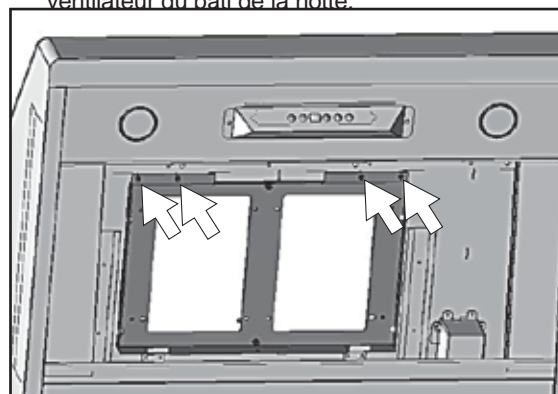
1. Débranchez la fiche du ventilateur.



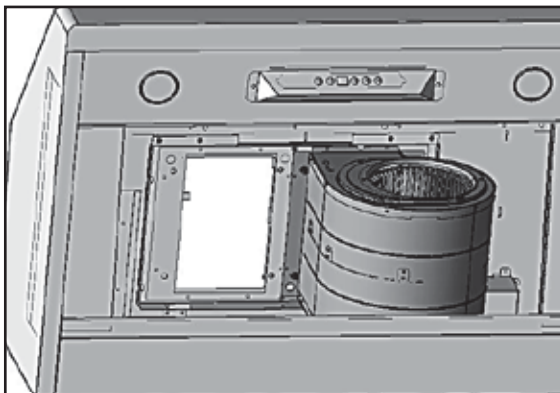
2. Enlevez les quatre (4) vis de la partie supérieure de la hotte qui retiennent le ventilateur à la plaque du ventilateur simple. Retirez le ventilateur du bâti de la hotte.



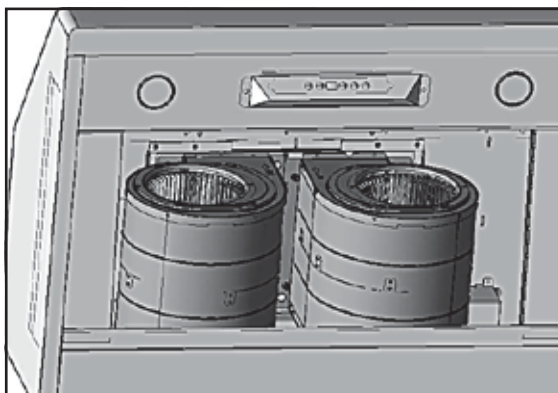
3. Enlevez les quatre (4) vis de l'intérieur de la hotte qui retiennent la plaque du ventilateur simple au bâti. Retirez la plaque du ventilateur simple du bâti de la hotte.



4. Installez la plaque du ventilateur double de la trousse du PBD-1200A dans le bâti de la hotte. Fixez-la en place à l'aide des quatre (4) vis enlevées à l'étape 3.

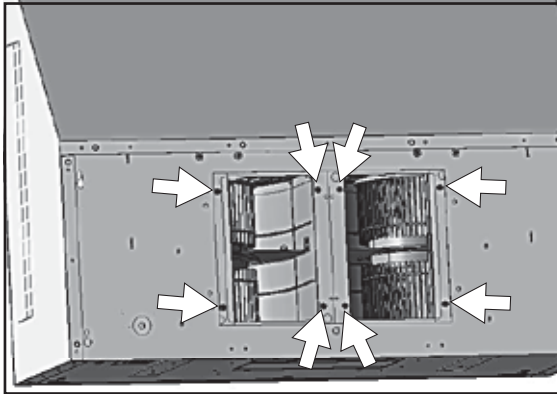


5. Installez le ventilateur préalablement enlevé de l'un des côtés de la plaque du ventilateur double et fixez-le en place à l'aide des quatre (4) vis enlevées à l'étape 2.

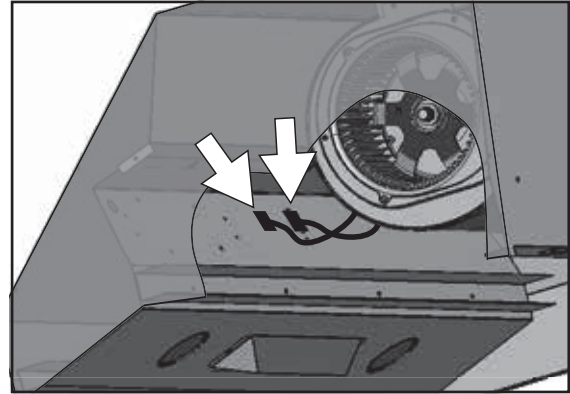


6. Installez le ventilateur de la trousse PBD-1200A de l'autre côté de la plaque du ventilateur double et fixez-le en place à l'aide de quatre (4) vis 3/16 x 3/8.

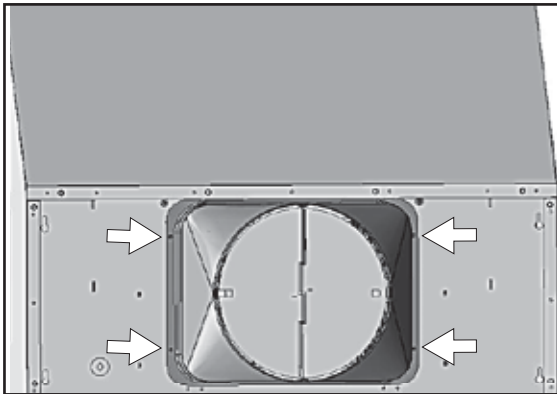
Installation – Ventilateur double PBD-1200A



7. Emplacements des vis du ventilateur double.



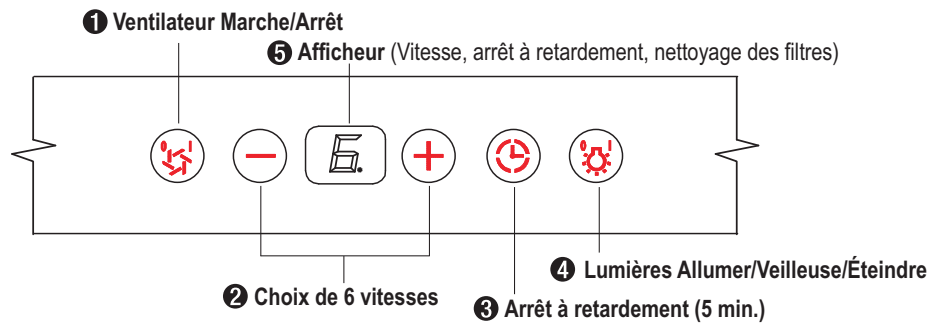
8. Branchez le câble d'extension de la trousse PBD-1200A kit au nouveau ventilateur. Branchez les deux fiches des ventilateurs.



9. Placez l'adaptateur circulaire de 10" (compris dans la trousse PBD-1200A) sur la partie supérieure de la hotte et fixez-le en place à l'aide de quatre (4) vis M3.5 x 8.

NOTE: Pour fixer l'adaptateur de transition de 10" à la partie supérieure de la hotte, vous devez pratiquer une ouverture de 14-1/2" de largeur par 10-1/2" de profondeur dans la partie inférieure de l'armoire.

Si les dimensions internes de l'armoire ne vous permettent pas de pratiquer une ouverture de cette taille, vous pouvez installer l'adaptateur de transition de 10" à la partie inférieure de l'armoire plutôt qu'à la partie supérieure de la hotte. Les dimensions de l'ouverture pour ce type d'installation sont de 13-1/4" de largeur par 6-1/4" de profondeur.



1. Ventilateur : Marche/Arrêt

Appuyez sur pour allumer ou éteindre le ventilateur. Lorsque vous l'allumez, le ventilateur se met en marche à la vitesse 1.

Vérification de la ACT

- La technologie de contrôle du débit d'air permet à l'installateur d'ajuster la quantité maximale d'évacuation de pi^3/min du ventilateur afin de respecter les codes et règlements en vigueur.

- Pour vérifier la quantité maximale d'évacuation de pi^3/min du ventilateur :

- Lorsque la hotte est éteinte, appuyez sur la touche et maintenez-la enfoncée pendant deux secondes. Si cinq icônes de ventilateur s'illuminent, le réglage est ajusté au maximum. Si quatre icônes s'illuminent, le maximum est de $390 \text{ pi}^3/\text{min}$. Si trois icônes s'illuminent, le maximum est de $290 \text{ pi}^3/\text{min}$.

2. Choix de vitesse

Choisissez l'une des 6 vitesses en appuyant sur pour diminuer la vitesse et sur pour l'augmenter. L'afficheur indique la vitesse choisie.

Choix de vitesse avec ACT activée

- Lorsque la TCDA est activée, le nombre de vitesses du ventilateur est réduit comme suit :
 - $390 \text{ pi}^3/\text{min}$ = 4 vitesses maximum
 - $290 \text{ pi}^3/\text{min}$ = 3 vitesses maximum

3. Arrêt à retardement

Cette fonction est utilisée pour programmer l'arrêt automatique du ventilateur et des lumières 5 minutes après son activation.

Lorsque vous appuyez une fois sur , un point clignote dans la partie inférieure droite de l'afficheur pour vous confirmer que la fonction a été activée. La hotte s'éteint complètement après 5 minutes.

4. Lumières Allumer/Veilleuse/Éteindre


Appuyez une fois sur pour allumer les lumières, une deuxième fois pour les mettre en veilleuse et une troisième fois pour les éteindre.

5. Afficheur




L'écran de l'afficheur indique la vitesse de ventilateur choisie ainsi que certaines fonctions, comme le rappel de nettoyage des filtres déflecteurs, l'arrêt automatique et la fonction de purification d'air.

Indicateur de changement des filtres à charbon (si installés)

Lorsque la hotte est installée en mode de récupération d'air, elle est munie d'un jeu de filtres à charbon conçus pour purifier la fumée de cuisson et remettre l'air en circulation dans la maison. Ces filtres à charbon doivent être remplacés toutes les 120 heures d'utilisation. Ne nettoyez jamais des filtres à charbon et ne les mettez jamais au lave-vaisselle.

Vous devez réinitialiser l'indicateur de changement des filtres à charbon du microprocesseur. Lorsqu'il est en cours d'utilisation, le microprocesseur compte le temps d'utilisation et indique à l'aide d'un icône  qui clignote le moment où les filtres doivent être remplacés.


Ajustement de l'indicateur de changement des filtres

Lorsque la hotte est éteinte, appuyez sur  pendant environ 5 secondes. L'afficheur passe de  (mode d'évacuation) à  (mode de recirculation), ce qui indique que la minuterie est activée et que des filtres à charbon sont en cours d'utilisation.

Mode d'ajustement

Appuyez 5 sec. Afficheur passe de < - > à < C >




**Indicateur de remplacement des filtres**

Lorsque l'icône  commence à clignoter, vous devez remplacer les filtres à charbon.

Changement des filtres

L'icône < C > clignote

**Fonction de réinitialisation**


Une fois que les filtres ont été remplacés, appuyez la touche  pendant que la hotte est éteinte. L'afficheur apparaît. Tenez-la enfoncée pendant environ 5 secondes, jusqu'à ce que l'icône  disparaisse . L'indicateur de changement des filtres est maintenant réinitialisé et un nouveau cycle de 120 heures commence.

Pour réinitialiser


Appuyez 5 sec. Afficheur passe de < C > à < >



Indicateur de nettoyage des filtres déflecteurs

Un ensemble de filtres déflecteurs est installé par le fabricant. Ces filtres déflecteurs ont pour fonction de filtrer les résidus de cuisson. Ils ne nécessitent aucun remplacement sur une base régulière, mais ils doivent être gardés propres. La fonction de rappel de nettoyage des filtres du microprocesseur indique automatiquement, à l'aide de l'icône clignotante , quand les filtres doivent être nettoyés (toutes les 30 heures d'utilisation). Les filtres peuvent être nettoyés à la main, avec du détergent non abrasif, ou au lave-vaisselle. Pour les filtres très sales, il est recommandé de les faire tremper dans un détergent pour graisse avant de procéder au nettoyage normal.




Indicateur de nettoyage des filtres déflecteurs

Lorsque l'icône  se met à clignoter sur l'afficheur, les filtres déflecteurs doivent être nettoyés, car 30 heures d'utilisation se sont écoulées.

Nettoyage des filtres

L'icône <F> clignote



Une fois que les filtres ont été nettoyés et réinstallés, réinitialisez l'indicateur de nettoyage des filtres (avec la hotte hors tension). Lorsque la hotte est éteinte,  appuyez environ 5 secondes sur la touche  jusqu'à ce que l'icône  disparaisse. La fonction de rappel de nettoyage des filtres est maintenant réinitialisée et un nouveau cycle de 30 heures commence.

Pour réinitialiser


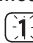


Appuyez 5 secondes Afficheur passe de <F> à <>



Fonction de purification d'air

La fonction de purification d'air fait en sorte que le ventilateur s'allume à vitesse basse toutes les quatre heures pour évacuer l'air stagnant de la cuisine. Cette fonction, désactivée par défaut, doit être activée par l'utilisateur.

Indicateur de la fonction de purification d'air

Lorsque la fonction de purification d'air (Clean Air) est activée, les icônes , ,  et  apparaissent à l'écran de l'afficheur.

Pour activer la fonction

Appuyez 3 secondes L'icône <A> clignote



Après dix minutes de fonctionnement, le ventilateur s'éteint et le chronomètre de quatre heures est réinitialisé.

Pour désactiver la fonction

Appuyez 3 secondes L'icône de l'afficheur passe de <F> à <>



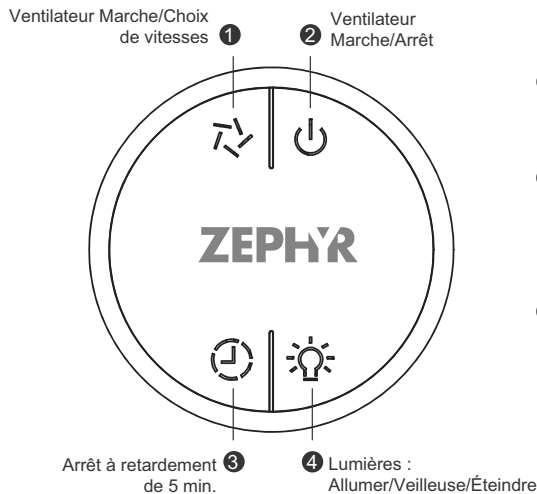
Si la vitesse du ventilateur est changée lors de l'utilisation de la fonction d'air pur, le cycle est interrompu et la minuterie repart ensuite à zéro.

Mise en garde de la FCC : Dans le but d'assurer une conformité continue, toute modification apportée sans l'approbation expresse du parti responsable de la conformité pourrait annuler l'autorisation de l'utilisateur de faire fonctionner cet appareil. (Exemple – N'utilisez que des câbles d'interface armés lors du branchement à un ordinateur ou à un périphérique.) Cet appareil respecte l'article 15 des réglementations FCC. Le fonctionnement doit respecter les deux réglementations suivantes : (1) cet appareil ne doit pas causer de brouillage nuisible et (2) cet appareil doit pouvoir recevoir tout type d'interférence, dont des interférences qui pourraient causer un fonctionnement involontaire.

SYNCHRONISATION : Pour créer un lien unique entre l'appareil et la commande à distance, veuillez suivre les instructions suivantes :

1. Éteignez l'appareil et appuyez sur le bouton « Lights » de l'appareil jusqu'à ce que la lettre « F » apparaisse à l'écran de l'afficheur.
2. Appuyez sur le bouton « Lights » de la commande à distance. Les lumières de l'appareil s'allumeront et la synchronisation sera assurée.

FONCTIONS DE LA COMMANDE À DISTANCE :



1 Ventilateur Allumer/Choix de vitesses

Appuyez sur pour mettre le ventilateur en marche et choisir l'une des six vitesses de fonctionnement.

2 Ventilateur Marche/Arrêt

Appuyez sur pour allumer le ventilateur à la vitesse à laquelle il fonctionnait lorsque vous l'avez éteint. Appuyez de nouveau sur et toutes les fonctions de l'appareil s'éteignent, y compris les lumières.

3 Arrêt à retardement

Appuyez sur pour activer la fonction d'arrêt à retardement du ventilateur et des lumières. Un point clignotera dans la partie inférieure droite de l'afficheur pour vous confirmer que la fonction a été activée. La hotte passera à la vitesse 1 et s'éteindra après 5 minutes.

4 Lumières : Allumer/Veilleuse/Éteindre

Appuyez une fois sur le bouton pour allumer les lumières, une deuxième fois pour les mettre en veilleuse et une troisième fois pour les éteindre.

FONCTIONS DE LA COMMANDE À DISTANCE :

La commande à distance radioélectrique est munie d'un aimant pour un entreposage facile. La commande peut être mise sur n'importe quelle surface magnétique, comme un réfrigérateur ou le support à commande Zephyr (FIG. 1). Le support à commande peut s'installer à une prise électrique standard pour un rechargement facile. Note : Le support à commande ne recharge pas la commande à distance RF.

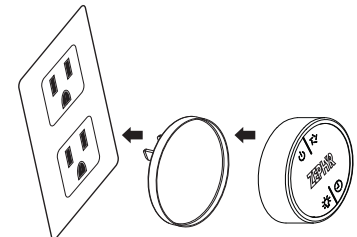


FIG. 1

La distance maximale de l'appareil à laquelle la commande fonctionne est de 15 pieds.

ENTRETIEN DE LA COMMANDE À DISTANCE :

Nettoyez la commande à distance avec des détergents non abrasifs.

Suivez les instructions ci-dessous pour remplacer la pile.

Enlevez le couvercle du compartiment à pile (A) à l'aide d'un tournevis plat pour avoir accès au compartiment de la pile (FIG. 2).

Enlevez la pile et remplacez-la par une pile **A23 12V**. L'extrémité négative devrait faire face au ressort à l'intérieur de la commande à distance.

Remettez le couvercle du compartiment en place et recyclez la vieille pile.

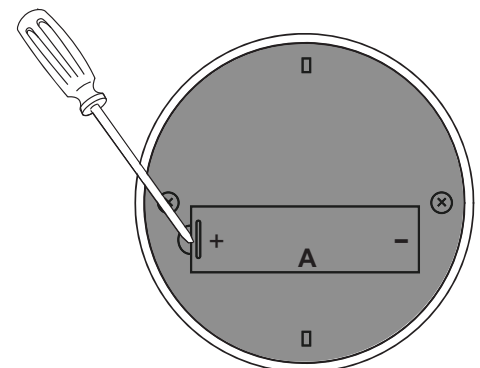


FIG. 2

LA COMMANDE À DISTANCE RF EST UN ACCESSOIRE OPTIONNEL QUI N'EST PAS INCLUS AVEC LA HOTTE ET DOIT ÊTRE ACHETÉ SÉPARÉMENT.

ENTRETIEN DES SURFACES :

Nettoyez régulièrement les surfaces de la hotte avec de l'eau savonneuse chaude et un chiffon de coton propre. N'utilisez pas de détergent abrasif ou corrosif, de laines d'acier ou de tampons à récurer; ils égratigneront et endommageront les surfaces. N'utilisez pas de produits à blanchir au chlore ou d'agents nettoyants « orange ».

Pour les taches plus tenaces, utilisez du produit dégraissant liquide.

Après le nettoyage, vous pouvez polir les surfaces avec des produits de polissage à acier inoxydable non abrasifs pour redonner de l'éclat et du lustre aux surfaces. Frottez toujours doucement, avec un chiffon de coton propre, et dans le sens du grain.

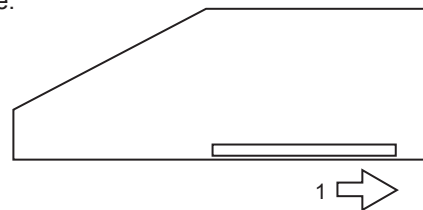
Nettoyage des filtres déflecteurs en inox

Les filtres déflecteurs en inox installés par le fabricant ont pour fonction de filtrer les résidus et la graisse de cuisson. Bien qu'ils ne nécessitent aucun remplacement sur une base régulière, les filtres doivent être nettoyés tous les 30 jours ou plus souvent, selon vos habitudes culinaires.

Vous pouvez laver les filtres au lave-vaisselle avec de l'eau tiède ou les faire tremper dans de l'eau chaude savonneuse. Séchez les filtres et réinstallez-les avant d'utiliser la hotte.

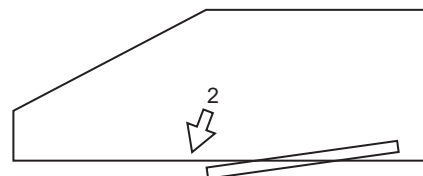
Retrait des filtres déflecteurs (FIG. 3) :

1. Poussez le filtre vers l'arrière de la hotte à l'aide des poignées.
2. Faites pivoter l'avant du filtre vers le bas.
3. Enlevez le filtre en le tirant vers vous.



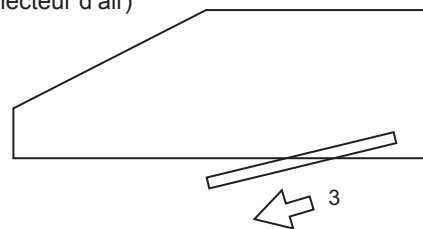
Remplacement des filtres déflecteurs :

Modèle de hotte :	No de pièce	Qtée à commander
AK7000BS	50210020	2
AK7036BS	50210020	3
AK7042BS	50210020	3



Trousse de recirculation (comprend des filtres au charbon et un déflecteur d'air)

Modèle de hotte :	No de pièce	Qtée à commander
AK7000BS	ZRC-7000B	1
AK7036BS	ZRC-7036B	1
AK7042BS	ZRC-7042B	1



Des filtres à charbon de remplacement sont également disponibles.

Numéro de pièce : Z0F-C002.

FIG. 3

Consultez le manuel fourni avec la trousse de recirculation pour obtenir de plus amples renseignements.

REPLACEMENT DES AMPOULES

ATTENTION : Les ampoules deviennent extrêmement chaudes lorsqu'allumées.

Veillez NE PAS les toucher avant de les avoir éteintes et laissées refroidir. Le contact avec les ampoules chaudes pourrait causer de sérieuses brûlures.

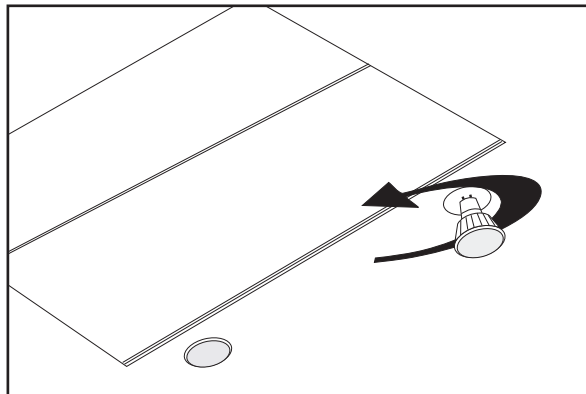
Assurez-vous que l'alimentation électrique est coupée et que les ampoules ne sont pas chaudes.

Enlevez les ampoules en les dévissant dans le sens contraire des aiguilles d'une montre. **Note** : les ampoules ne se dévissent pas; après une rotation de 60 degrés, elles s'arrêtent et tombent de la douille.

Lorsqu'il est difficile de retirer les ampoules après un usage prolongé, fixez une ventouse équivalant approximativement au diamètre de l'ampoule ou utilisez des gants en latex et tournez.

Les ampoules de remplacement sont disponibles dans les magasins spécialisés en éclairage. Procurez-vous des ampoules halogènes MR-16 (GU-10) de 35 W.

Consultez la page 25 du présent guide pour obtenir les numéros de pièces Zephyr.



TROUBLESHOOTING PROCEDURES FOR TEMPEST I

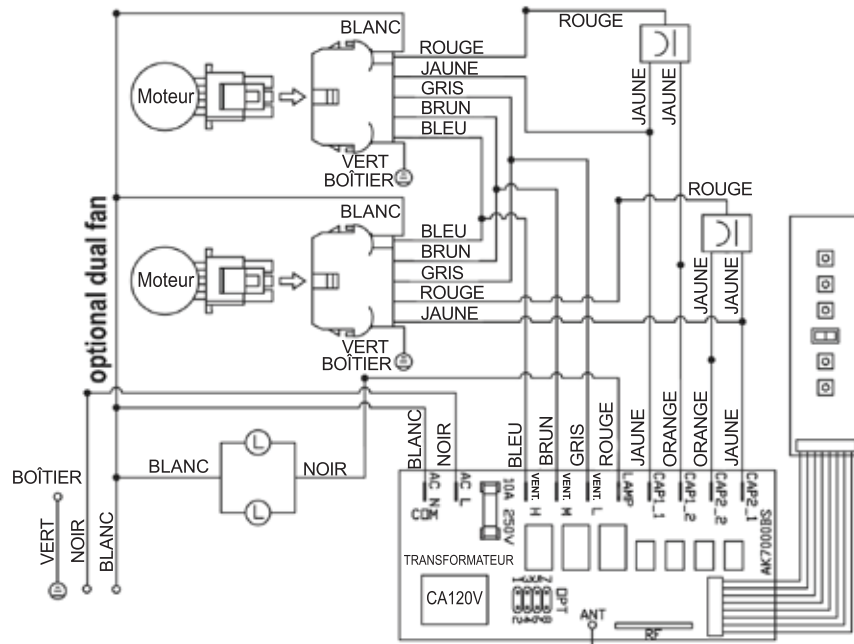
Problème	Cause	Solution
Après l'installation, l'appareil ne fonctionne pas.	1. Le bloc d'alimentation n'est pas allumé	1. Assurez-vous que l'alimentation du disjoncteur et de l'appareil est allumée
	2. La ligne électrique et le raccord de câble ne sont pas correctement branchés	2. Vérifiez que le branchement de l'appareil a été fait correctement
	3. Les fils électriques du tableau de contrôle et de commande sont débranchés	3. Assurez-vous que les fils électriques entre les tableaux de contrôle et de commande sont branchés convenablement
	4. Les câbles du tableau de contrôle sont desserrés.	4. Assurez-vous que les câbles du tableau de contrôle sont branchés adéquatement.
	5. Tableau de contrôle/commande défectueux	5. Remplacez le tableau de contrôle/commande
Les lumières fonctionnent, mais le ventilateur ne tourne pas.	1. Le câble du ventilateur n'est pas branché.	1. Assurez-vous que le câble du ventilateur est branché dans le connecteur Molex.
	2. La broche du connecteur Molex ne fait pas contact.	2. Débranchez le connecteur Molex, vérifiez les broches situées à l'intérieur du connecteur Molex pour voir si l'une d'elles est trop loin à l'intérieur du connecteur. Remplacez la broche au besoin.
	3. Le ventilateur est défectueux, possiblement bloqué.	3. Remplacez le ventilateur.
	4. Le système de protection thermique détecte que le ventilateur est trop chaud pour fonctionner et l'éteint.	4. Le ventilateur fonctionnera normalement lorsque le système de protection thermique aura refroidi
	5. Le condensateur est endommagé	5. Remplacez le condensateur
L'appareil vibre	1. Le ventilateur n'est pas bien fixé en place	1. Fixez bien le ventilateur en place.
	2. Damaged blower wheel.	2. Remplacez le ventilateur.
	3. The hood is not secured in place.	3. Vérifiez l'installation de la hotte.
Le ventilateur fonctionne, mais pas les lumières.	1. La prise de l'ampoule est débranchée.	1. Branchez la prise de l'ampoule.
	2. L'ampoule halogène est défectueuse	2. Remplacez l'ampoule halogène
	3. L'ampoule est desserrée	3. Serrez l'ampoule et assurez-vous qu'elle est bien en place
Les différentes vitesses du ventilateur semblent toutes les mêmes.	1. Vous n'utilisez pas le bon diamètre de conduit.	1. Installez un conduit circulaire minimal de 8" ou rectangulaire de 3-1/4" x 10" pour un ventilateur simple, ou un conduit circulaire de 10" pour un ventilateur double.
La hotte ne fonctionne pas bien.	1. La hotte est possiblement installée trop haut par rapport à la cuisinière	1. Ajustez la distance entre la surface de la cuisinière et la base de la hotte entre 26" et 36"
	2. Du vent provenant d'une fenêtre ou d'une porte ouverte avoisinante nuit à la ventilation	2. Fermez toutes les portes et fenêtres pour éliminer les courants d'air
	3. L'ouverture du conduit ou le conduit lui-même est bloqué	3. Enlevez tout ce qui bloque l'ouverture ou le conduit d'aération
	4. L'ouverture du conduit est contre le vent	4. Ajustez l'orientation de l'ouverture du conduit
	5. Mauvaises dimensions de conduit d'aération	5. Remplacez le conduit par un conduit adéquat.
Le filtre métallique vibre.	1. Le filtre métallique est desserré	1. Ajustez ou remplacez le filtre métallique
	2. Le ressort du filtre est brisé.	2. Remplacez le ressort.
La commande à distance RF ne fonctionne pas	1. La pile est morte.	1. Remplacez la pile par une pile A23 12v.
	2. Mauvaise communication avec le bloc d'alimentation.	2. La commande à distance doit se trouver à moins de 15 pieds de l'appareil.
	3. La commande à distance RF a perdu la communication avec la hotte.	3. Réinitialisez la hotte et la commande à distance en éteignant le disjoncteur pendant 5 minutes. Suivez le processus de synchronisation de la page 18.
Le ventilateur s'allume seul	1. La fonction de purification d'air est active et le ventilateur démarre toutes les quatre heures.	1. Désactivez la fonction de purification d'air en suivant les instructions de la page 17.

Schéma de câblage

UTILISEZ SEULEMENT DES AMPOULES HALOGENES MR16, GU10, 35W **MAX.**

AK7000BS, AK7036BS AK7042BS	VOLTS	HZ	A. MAX.
	120	60	Moteur simple 5 Moteur double 9

SCHÉMA DE CIRCUITS

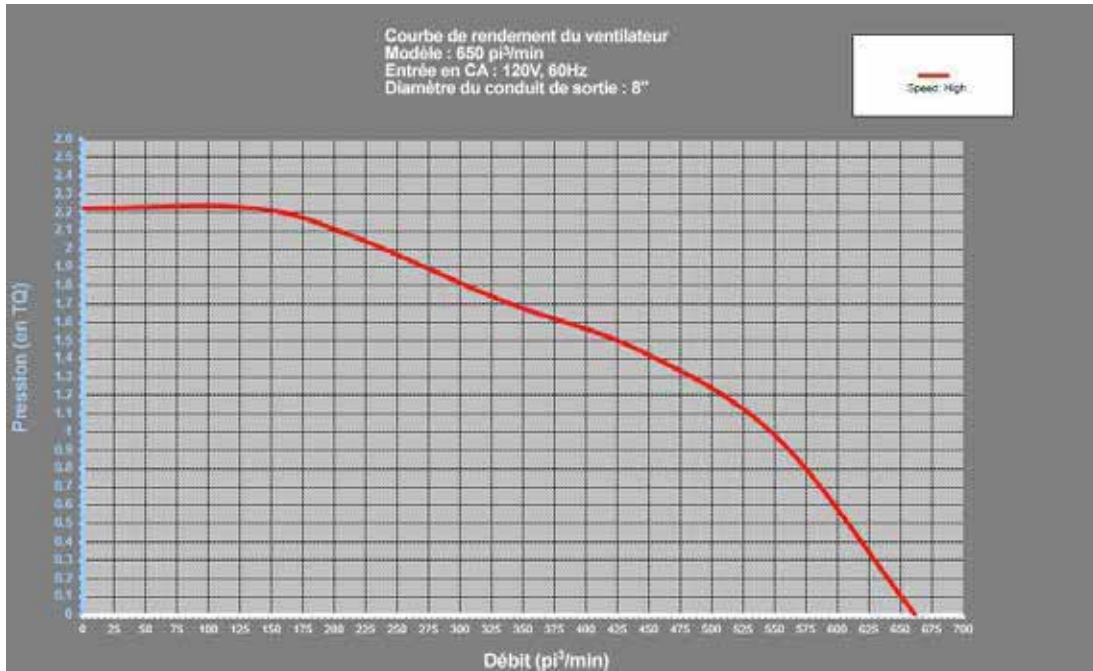


REMARQUES : CONDENSATEUR 11+11uF 250VCA 2PCS ADAPTÉ À CA120V 60Hz

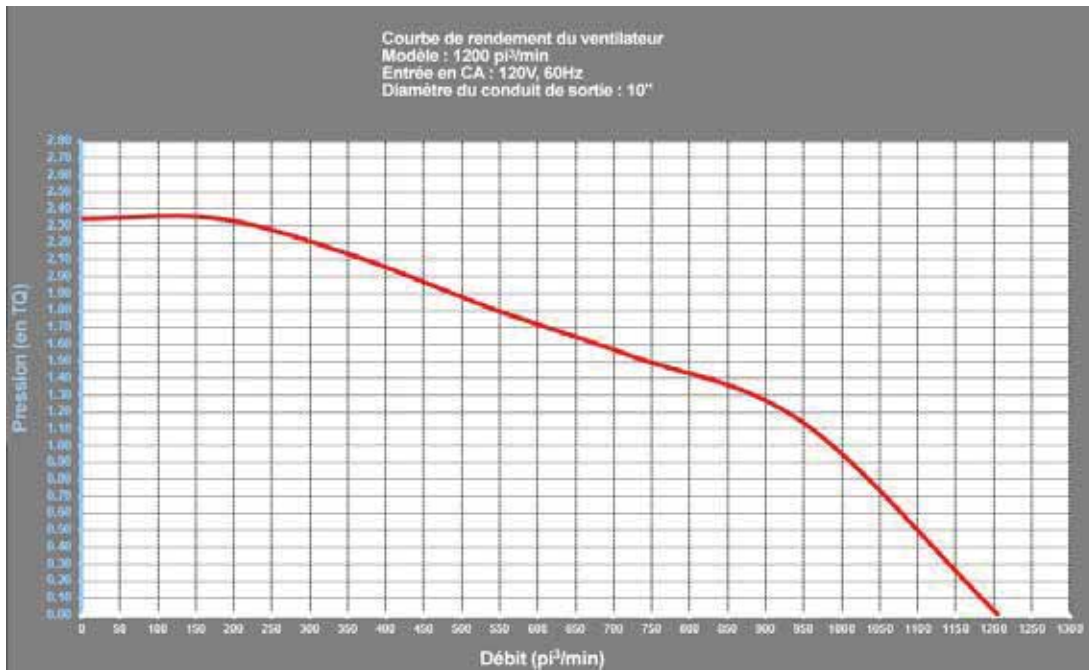
TCDA 390 pi³/min — Max. du ventilateur : 355W à 2,8 A

TCDA 290 pi³/min — Max. du ventilateur : 255W à 2,2 A

Diagrammes des courbes caractéristiques des ventilateurs simples



Diagrammes des courbes caractéristiques des ventilateurs doubles



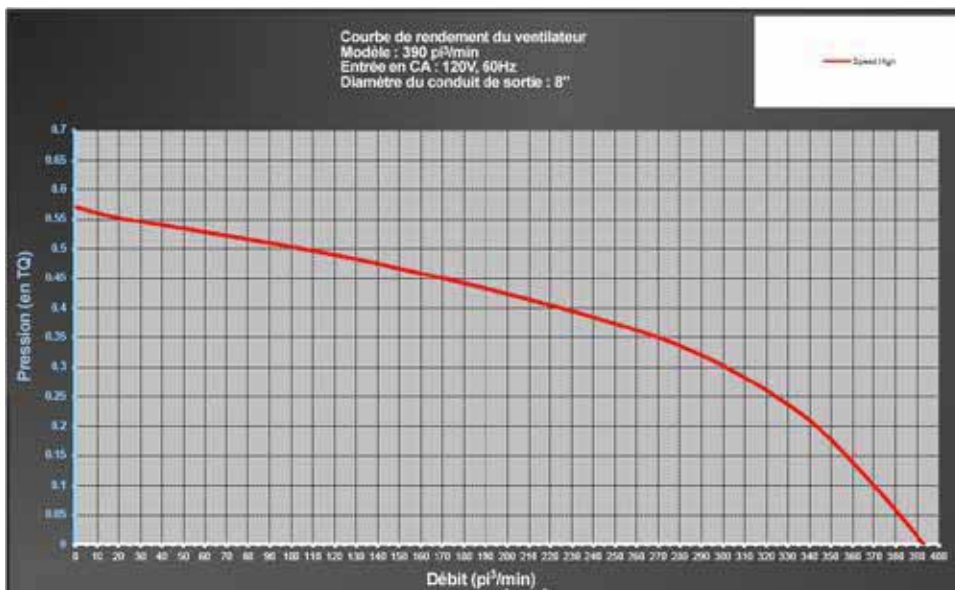
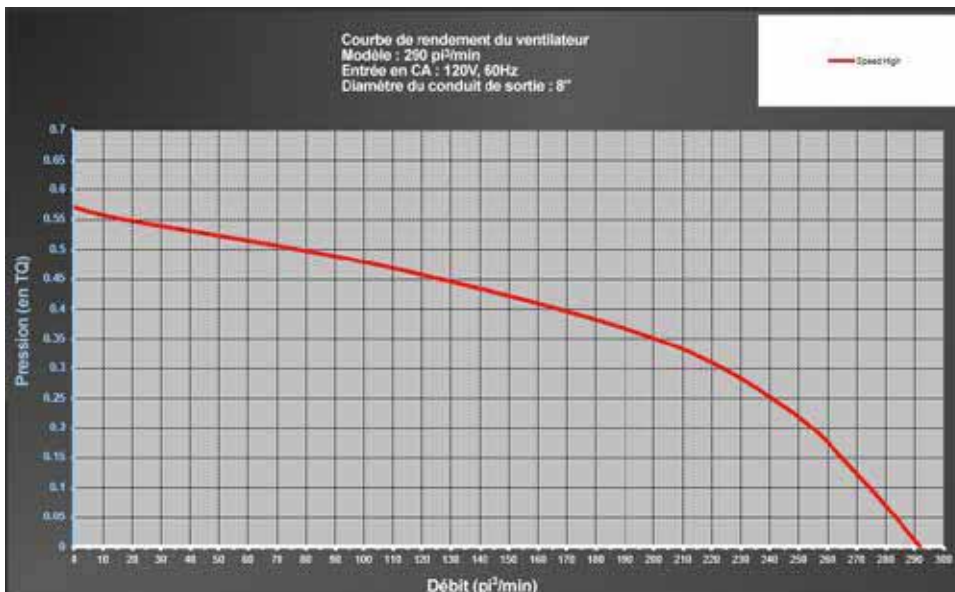
Diagrammes des courbes caractéristiques des ventilateurs

Technologie de contrôle du débit d'air (ACT)

Certains codes et règlements limitent la quantité maximale de pi^3/min qu'une hotte peut extraire. La ACT permet de contrôler la quantité maximale de pi^3/min qu'évacuent un éventail de hottes Zephyr, éliminant la nécessité d'acheter un dispositif d'air d'appoint dispendieux. La ACT permet à l'installateur d'ajuster facilement la vitesse maximale du ventilateur à l'un des niveaux de pi^3/min les plus fréquemment utilisés : 390 pi^3/min ou 290 pi^3/min . Il est possible que l'utilisation de la ACT ne soit pas requise pour votre installation. Veuillez vérifier les codes en vigueur dans votre région pour connaître les restrictions en matière de pieds cubes par minute.

Par défaut, le nombre maximal de pi^3/min du ventilateur est de 650.

Pour vérifier si votre installateur a activé la ACT, appuyez sur la touche de mise en marche et tenez-la enfoncée pendant trois secondes lorsque la hotte est éteinte. Si cinq indicateurs DEL s'allument, la hotte est réglée pour évacuer le maximum de pi^3/min par défaut; si quatre indicateurs DEL s'allument, la hotte est réglée pour évacuer un maximum de 390 pi^3/min ; si trois indicateurs DEL s'allument, la hotte est réglée pour évacuer un maximum de 290 pi^3/min . Si la ACT est activée, le nombre de vitesses du ventilateur est réduit, comme suit : 390 pi^3/min = 3 vitesses max.; 290 pi^3/min = 2 vitesses max. Une étiquette en aluminium devrait également se trouver à l'intérieur du pavillon de la hotte, près du schéma de câblage indiquant le nombre de pi^3/min que peut évacuer le ventilateur.



DESCRIPTION	PART #
Pièces de remplacement	
Ampoule MR16 (GU10) 35W (unité)	Z0B-0023
Filtre défecteur (unité)	50210020
Accessoires optionnels	
Trousse de ventilateur double (avec 1 ventilateur) *	PBD-1200A
Trousse de recirculation d'air (30") **	ZRC-7000B
Trousse de recirculation d'air (36") **	ZRC-7036B
Trousse de recirculation d'air (42") **	ZRC-7042B
Dosseret et étagères (AK7000BS)	AK0710
Dosseret et étagères (AK7036BS)	AK0716
Dosseret et étagères (AK7042BS)	AK0712
Registre universel d'air d'appoint, 650 pi ³ /min	MUA008A
Registre universel d'air d'appoint, 1200 pi ³ /min	MUA010A

Pour commander des pièces, visitez-nous en ligne au www.zephyronline.com ou communiquez avec nous par téléphone au 1-888-880-8368

***La trousse de ventilateur double n'est compatible qu'avec les modèles AK7036BS et AK7042BS**

**** La trousse de recirculation d'air n'est compatible que lors de l'utilisation d'un ventilateur interne simple, et pas avec un ventilateur interne double.**

ZEPHYR

Garantie limitée

AGRAFEZ VOTRE REÇU ICI

Une preuve de la date d'achat originale est nécessaire pour obtenir du service lorsque le produit est sous garantie

POUR OBTENIR DU SERVICE SOUS GARANTIE OU POUR TOUTE QUESTION LIÉE À L'ENTRETIEN, veuillez communiquer avec nous au 1-888-880-8368

Zephyr Corporation (désigné aux présentes sous le nom de « nous ») garantit au premier acheteur (désigné aux présentes sous le nom de « vous » ou « votre ») de produits Zephyr (les « Produits ») que lesdits produits sont exempts de défauts de fabrication ou de main-d'œuvre selon les conditions suivantes :

Garantie de trois ans sur les pièces : Garantie de trois ans à partir de la date d'achat originale du Produit. Nous fournirons sans frais les Produits ou les pièces (y compris les ampoules LED, le cas échéant) de remplacement qui comportaient des défauts de fabrication. Nous pourrions choisir, à notre seule discrétion, de réparer ou de remplacer des pièces avant de prendre la décision de remplacer le Produit.

Garantie limitée d'un an sur la main-d'œuvre : Garantie d'un an à partir de la date d'achat originale du Produit. Nous couvrirons sans frais les frais de main-d'œuvre afférents à la réparation du Produit ou des pièces de remplacement qui comportaient des défauts de fabrication. Un an après la date d'achat originale, vous serez responsable de tous les frais de main-d'œuvre associés à la présente garantie.

Exclusions de la garantie : Cette garantie ne couvre que la réparation ou le remplacement, à notre gré, de pièces ou de Produits défectueux et ne couvre aucun autre coût afférent aux Produits, dont, sans s'y limiter, les frais liés : (a) à l'entretien normal des Produits et au remplacement des pièces consommables, comme les incandescence ou halogène-ampoules, les filtres métalliques, les filtres à charbon et les fusibles; (b) à tout Produit ou pièce ayant été endommagé durant le transport ou étant le résultat d'un mauvais usage, d'une négligence, d'un accident, d'une installation incorrecte ou ne respectant pas les notices d'installation recommandées, d'un entretien ou d'une réparation inapproprié (dont ne nous sommes pas responsables); (c) à une utilisation commerciale ou ne correspondant pas à l'utilisation pour laquelle les Produits sont conçus; (d) à l'usure naturelle du fini, à l'usure due à un entretien inadéquat, à l'utilisation de produits nettoyants corrosifs ou abrasifs, de tampons nettoyeurs et de produits de nettoyage pour le four; (e) aux éclats, entailles ou fissures résultant d'un abus ou d'une mauvaise utilisation du Produit; (f) aux déplacements d'un technicien de service à votre domicile pour vous montrer comment utiliser les Produits; (g) aux dommages causés par un accident, un incendie, une inondation ou un cas fortuit. Si vous vous trouvez à l'extérieur du territoire que nous desservons, des frais supplémentaires pourraient s'appliquer pour la livraison des produits à nos points de service désignés pour une réparation sous garantie ou vous pourriez avoir à déboursier les frais de déplacement du technicien à votre domicile pour que le Produit soit réparé, enlevé ou réinstallé. Un an après la date d'achat originale du Produit, vous êtes également responsable de tous les frais de main-d'œuvre associés à la présente garantie.

Restrictions de la garantie. NOTRE OBLIGATION DE RÉPARER OU DE REMPLACER, À NOTRE GRÉ, LE PRODUIT CONSTITUE VOTRE SEUL ET UNIQUE RECOURS SOUS LA PRÉSENTE GARANTIE. NOUS NE NOUS PORTONS PAS RESPONSABLES POUR TOUT DOMMAGE INDIRECT, ACCESSOIRE OU PARTICULIER RÉSULTANT OU AYANT UN LIEN AVEC L'UTILISATION OU LE RENDEMENT DES PRODUITS. LES GARANTIES EXPRESSES DE LA SECTION PRÉCÉDENTE SONT EXCLUSIVES ET TIENNENT LIEU DE TOUTE AUTRE GARANTIE EXPRESSE. PAR LES PRÉSENTES, NOUS REJETONS ET EXCLUONS TOUTE AUTRE GARANTIE EXPRESSE POUR LES PRODUITS ET TOUTES LES GARANTIES TACITES PRÉVUES PAR LA LOI, DONT CELLES RELATIVES À LA QUALITÉ MARCHANDE OU À L'ADÉQUATION DU PRODUIT POUR UNE UTILISATION PARTICULIÈRE. Certains États ou provinces n'autorisent pas les restrictions sur la durée d'une garantie implicite ou l'exclusion ou la restriction des dommages indirects ou accessoires; par conséquent, les exclusions et restrictions mentionnées ci-dessus pourraient ne pas s'appliquer à votre cas. Dans la mesure où une loi applicable interdit l'exclusion de garanties implicites, la durée de toute garantie implicite applicable se limite à la période de deux ans décrite ci-dessus. L'unique objectif de toute description orale ou écrite est de présenter les Produits et celle-ci ne devrait pas être interprétée comme une garantie expresse. Avant d'utiliser ou de permettre l'utilisation des Produits, vous devrez déterminer si les Produits conviennent aux utilisations prévues et vous devrez assumer tout risque et toute responsabilité relatifs à ces utilisations. Nous nous réservons le droit d'utiliser des pièces reconstruites ou remises à neuf pour remplacer l'une des fonctionnalités dans le cadre de la présente garantie ou de l'une des parties de la présente garantie. L'acheteur original ne peut transférer la présente garantie et celle-ci n'est valide qu'aux États-Unis et au Canada.

Pour obtenir du service sous la garantie : Pour avoir droit à du service sous garantie, vous devez : (a) nous avertir en utilisant l'adresse ou le numéro de téléphone inscrit ci-dessous dans les soixante jours suivant la détection du défaut; (b) donner le numéro du modèle, le numéro d'identification de la pièce ainsi que le numéro de série; et (c) décrire la nature de tout défaut de la pièce ou du Produit. Au moment de faire la demande de service sous garantie, vous devrez présenter votre preuve d'achat et la preuve de la date d'achat originale. Si nous déterminons que les exclusions de la garantie énumérées ci-dessus s'appliquent ou si vous vous trouvez dans l'incapacité de nous fournir la documentation nécessaire pour obtenir du service, vous serez responsable de tous les frais d'expédition, de déplacement, de main-d'œuvre ou de tout autre coût afférent au service.

Veuillez consulter notre site Web au www.zephyronline.com pour savoir si des révisions ont été apportées à la garantie.

Zephyr Corporation Service Department, 2277 Harbor Bay Parkway, Alameda, CA 94502 1-888-880-8368