

PARTS INCLUDED

- 1 - Heat Lamp Cover Panel
- 2 - Heat Lamp Housings
- 2 - R40 250W, 120V Heat Lamps
- 8 - Screws

TOOLS NEEDED

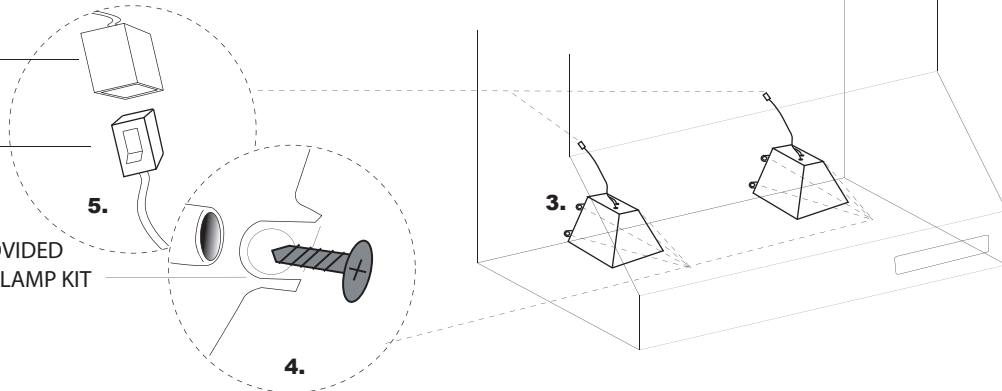
- 1 - Phillips Screwdriver
- 1 - Pliers

1. Remove each of the (4) nuts from the screws. Remove carriage bolts and set them aside.
2. The bottom cover panel can now be easily removed by pulling down from the hood body.*
*note: If hood with backsplash is installed, bottom cover panel can be slid out from the side.

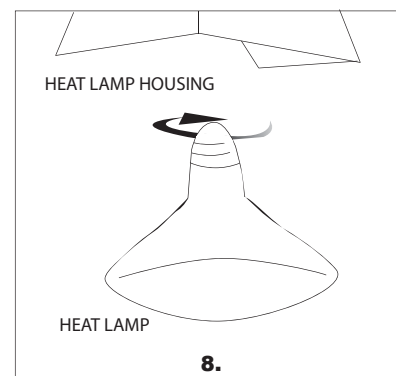
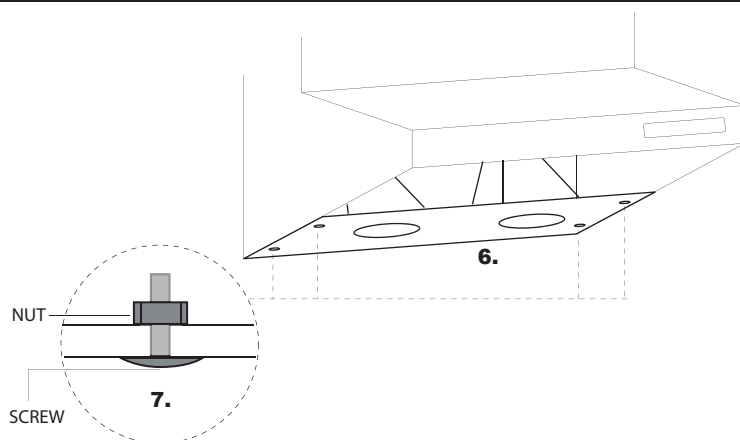
FEMALE HEAT LAMP
WIRE CONNECTOR

MALE HEAT LAMP
WIRE CONNECTOR

SCREW PROVIDED
WITH HEAT LAMP KIT



3. Align each heat lamp housing with the (4) screw holes already on the hood.
4. Insert (4) screws into each heat lamp housing and tighten.
5. Plug male end of heat lamp wire connector into female end of heat lamp wire connector in hood.



6. Install new bottom cover panel with bulb openings.
7. Re-attach each of the (4) carriage bolts and nuts that were previously removed.
8. Insert heat lamps by placing them into heat lamp housing and turning clockwise.*
9. Operate heat lamps by using the toggle switches located on bottom of light panel on right and left side of hood.

*note: you may use R40 250W, 120V, medium base red heat lamps or 125W, 120V, medium base clear heat lamps.