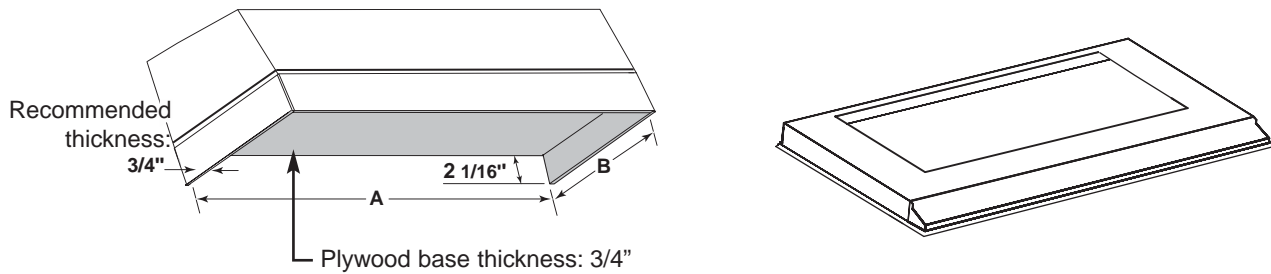




**WARNING:**

When building a custom hood for a power pack, always follow all applicable construction codes and standards.

See the illustrations and table below to locate your liner choice and use corresponding custom hood base dimensions. For the liner installation, only the bottom of the custom hood is needed. Do not finalize the entire custom hood yet, because an opening is needed for the power pack.



**FIG 1**

Liner Model	Power Pack Model	Custom Hood Exterior Width	*Inside Width (A)	*Inside Depth (B)	
				Without Backboard	**With Backboard
AK0800AS	AK8000AS and AK8100AS	30 inches	28 1/2"	17 1/2" - 20 1/2"	17 1/8" - 20 1/8"
AK0836AS		36 inches	34 1/2"		
AK0806AS	AK8200AS	36 inches	34 1/2"	20 1/2" - 23 1/2"	20 1/8" - 23 1/8"
AK0842AS		42 inches	40 1/2"		
AK0848AS	AK8300ASX	48 inches	46 1/2"	20 1/2" - 23 1/2"	20 1/8" - 23 1/8"
AK0854AS		54 inches	52 1/2"		
AK0860AS		60 inches	58 1/2"		
AK0886AS	AK8800AG and AK8800AS	36 inches	34 1/2"	20 1/2" - 23 1/2"	20 1/8" - 23 1/8"
AK0882AS		42 inches	40 1/2"		
AK0888AS		48 inches	46 1/2"		
AK0884AS		54 inches	52 1/2"		
AK0880AS		60 inches	58 1/2"		

\*Dimension does not include 3/8" wide flange around liner.

\*\*The inside depth shown in the table above assumes a minimum cabinet backboard thickness of 3/8".

**FIG 1:** Zephyr recommends the base of the custom hood to be 3/4" thick plywood. The sides, front and backboard (if included) of the custom hood to be 3/4" thick, assuming standard cabinet widths.

Consider the shape and size of the power pack to determine the configuration of the custom hood. For more details, refer to the installation manual of the power pack.

**Zephyr Corporation**

2277 Harbor Bay Pkwy, Alameda, CA 94502

Tel: 1.888.880.8368 Fax: 1.888.990.8368

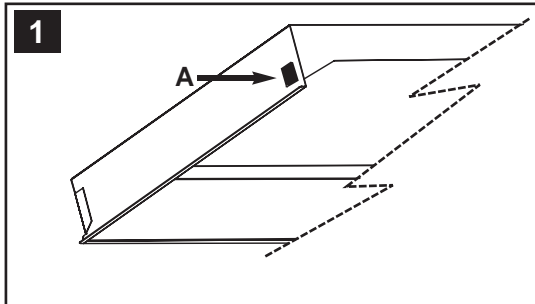
e-mail: productsupport@zephyronline.com

**CAUTION:**

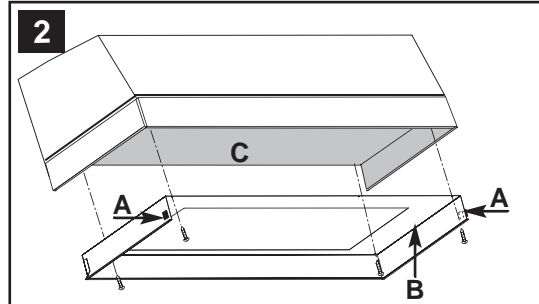
**Before installing, remove any protective film from all parts.**

The custom hood liner must be installed before the power pack unit. For installation into shallow cabinets (20-1/2" to 21-1/2" inside depth) **the power pack must be installed before the liner front panel section**. This must be done because the power pack flange must fit under the liner front panel section when an overlap occurs.

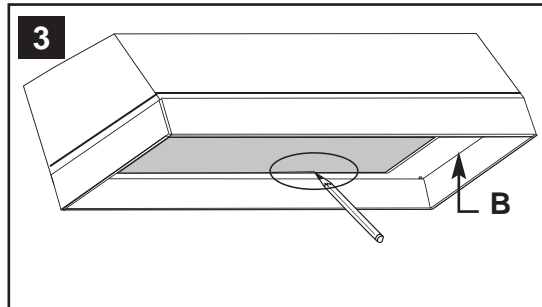
Refer to power pack instructions for mounting height details.



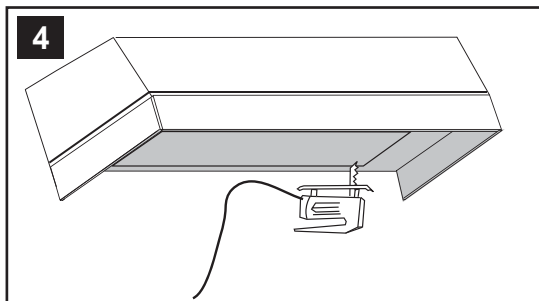
Install 1 small pad (A), included in the hardware package, to each side of the main liner plate. (See figures 1 and 2)



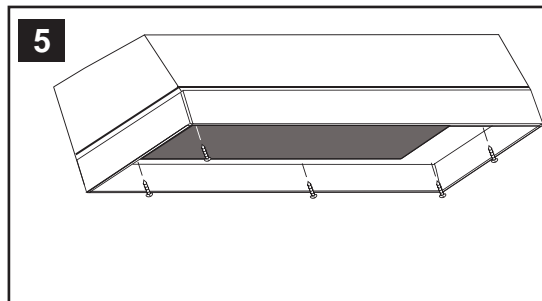
Temporarily install the main liner plate (B) to the external base of the custom hood (C). When inserting the main liner plate, push slightly on the pads (A) to prevent damage. Main liner plate should be positioned as far back as possible.



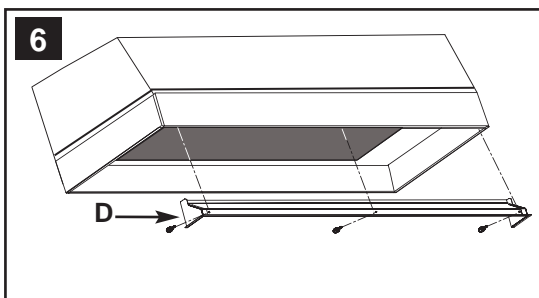
Using a pen, mark the outline of the future opening for the power pack. Remove the main liner plate (B) from the custom hood.



Cut out an opening in the bottom of the custom hood.



Reinstall the main liner plate to the base of the custom hood and secure it with (5) 3/4" screws.



Slide the front panel section (D) into the nose of the custom hood base. Take care not to scratch the main liner plate when installing the front panel section of the liner. Assemble it to the cabinet using (3) 1/2" screws.

**Note:** When installing the power pack it will need to be secured to a wood surface and not only to the liner. See power pack installation manuals for more detailed mounting instructions.