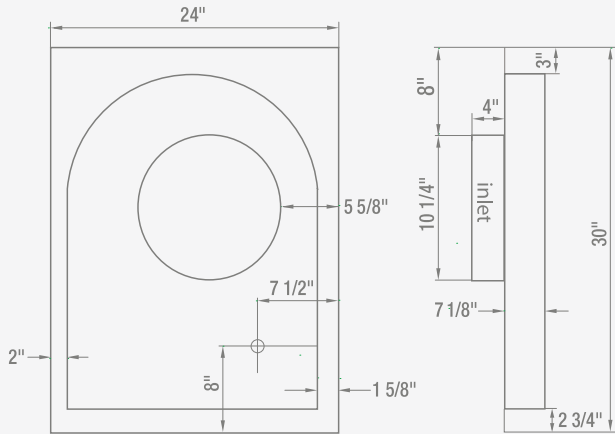
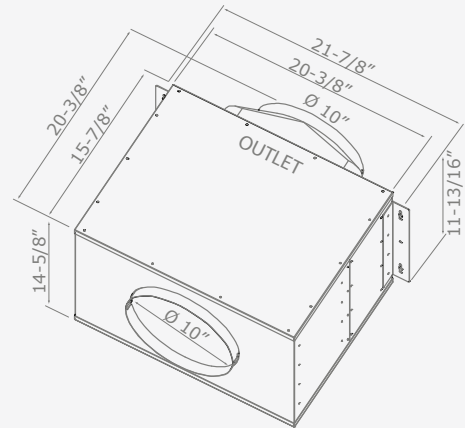


**CBE-1000  
(external)**



**PBN-1000A  
(in-line)**



## BLOWERS

MODEL	BLOWER TYPE	*MAX. WATTS	*MAX. AMPS	MAX. CFM	MAX. SONES	COMPATIBLE MODELS
<b>CBI-290A</b>	Single Internal	77	0.75	290	3.2	CCA, COK, CSH, CTP, Arc Collection
<b>CBI-290B</b>	Single Internal	77	0.75	290	3.2	AK75, AK83
<b>CBI-600A</b>	Single Internal	320	2.75	600	6	CCA, COK, CSH, CTP, Arc Collection
<b>CBI-600B</b>	Single Internal	320	2.75	600	6	AK75, AK83, AK78
<b>EBI-600B</b>	Single Internal	450	3.75	600	9	CPA
<b>PBI-1100A</b>	Dual Internal	640	5.45	1100	8	AK75, AK83, AK78
<b>PBD-1100A</b>	Dual Internal	640	5.45	1100	8	AK70xxAS
<b>**CBE-1000</b>	External	700	6.25	1000	NA	AK75, AK83, AK78, Cheng Collection, Arc Collection
<b>**PBN-1000A</b>	In-Line	640	5.45	1000	NA	AK75, AK83, AK78, Cheng Collection, Arc Collection

\*Add blower Watts and Amps to AC Power details from hood spec sheet to determine total power consumption.

\*\*For Cheng, Arc Collection and AK83 hoods you must transition from 10" to 8" ducting before duct passes through ceiling.

A 10" to 8" adapter is included with external and in-line blowers.

**Zephyr Corporation**

395 Mendell Street  
San Francisco, CA 94124

1.888.880.VENT

[www.zephyronline.com](http://www.zephyronline.com) may09.0201

