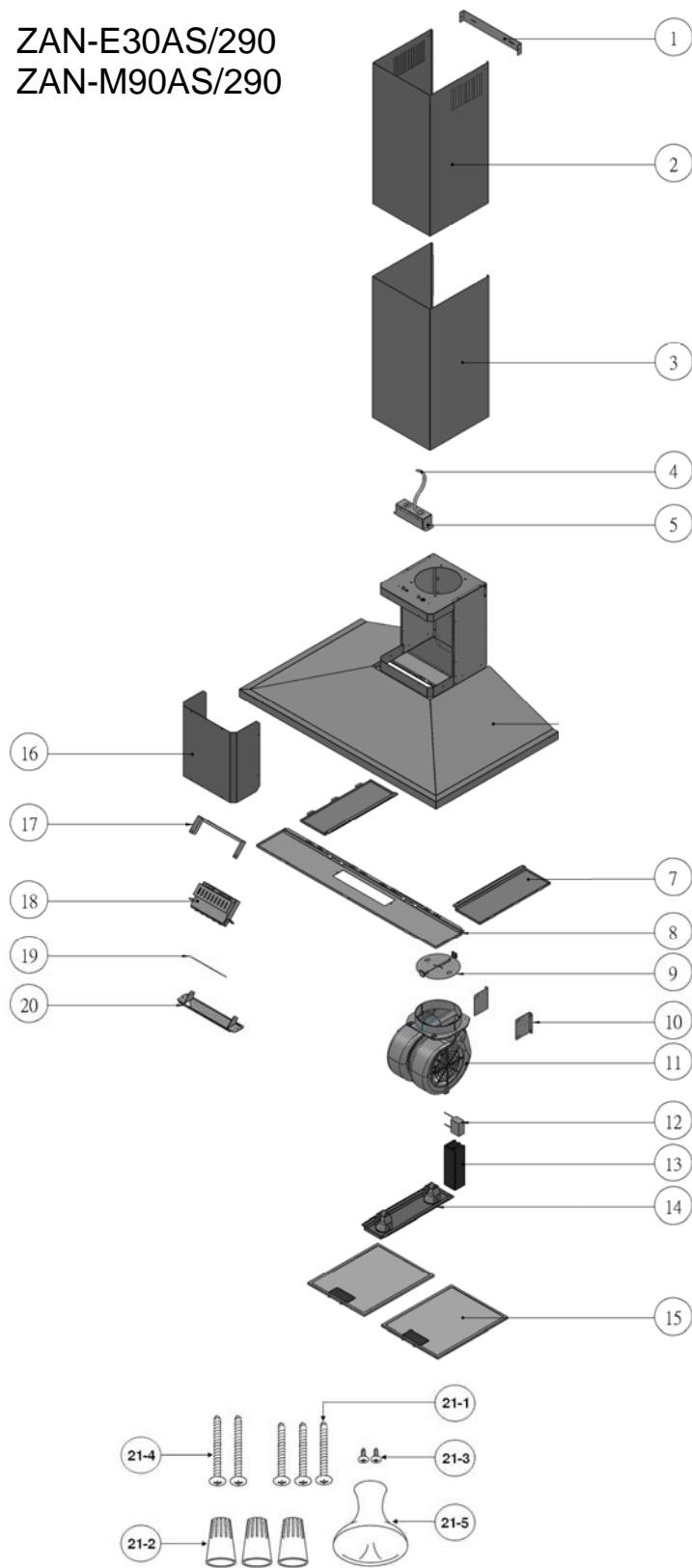


ZAN-E30AS/290
ZAN-M90AS/290



ZAN-E30AS/290, ZAN-M90AS/290

Ref #	Part #	Description	Qty.
1	54110050	Bracket, Duct Cover	1
2	50050091	Duct Cover, Upper	1
3	50050092	Duct Cover, Lower	1
4	11030020	Wires, Electrical	1
5	50500043	Assembly, Junction Box	1
7	50110081	Panel, Side, 30"	2
7	50110082	Panel, Side, 36"	2
8	50140082	Panel, Front, 30"	1
8	50140083	Panel, Front, 36"	1
9	54060007	Damper, 6" Round	1
10	54140076	Bracket, Motor	2
11	12120043	Motor, 600 CFM	1
11	12120053	Motor, 290 CFM	1
12	12050015	Capacitor, 600 CFM	1
12	12050012	Capacitor, 290 CFM	1
13	50500046	Assembly, Electrical Box	1
14	50500081	Assembly, Light Panel	1
14-1	Z0B-0020	Halogen, Bulb, GU-10, 50W	2
14-2	12100027	Socket, Light	2
15	50200011	Filter, Metal Mesh	2
16	56210052	Cover, Blower Housing	1
17	54140080	Bracket, Switch	1
18	11000058	Switch Assembly	1
19	56240013	Spacer, Switch	1
20	52170039	Housing, Switch	1
21	05000060	Hardware Packet	1
21-1	01090001	Screw, M6 x 1"	3
21-2	15000002	Wire Cap	3
21-3	01070006	Screw, M4 x 8mm	2
21-4	01070015	Screw, M4 x 1 1/4"	2
21-5	15000004	Suction Cup	1