

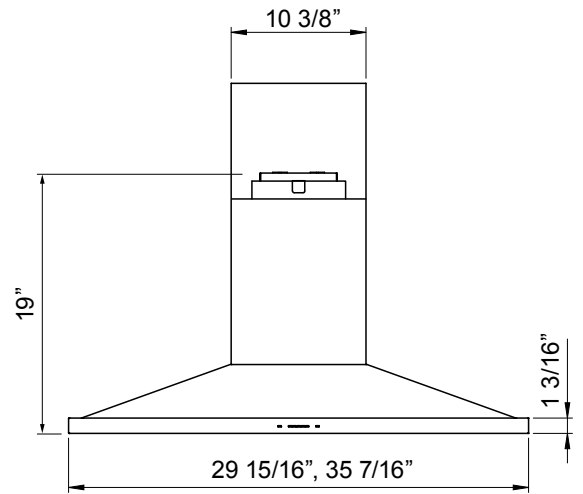
Anzio, a low-profile, chimney-style range hood that will add style and value to any kitchen. Now available with Zephyr's trend-setting sleek new alternative to stainless steel; Black Stainless Steel. Titanium coated for

extra durability and an anti-smudge coating for easy cleaning. Complete with a 600-CFM blower, ICON Touch® controls, BriteStrip™ LED lighting and our exclusive ACT™ technology.

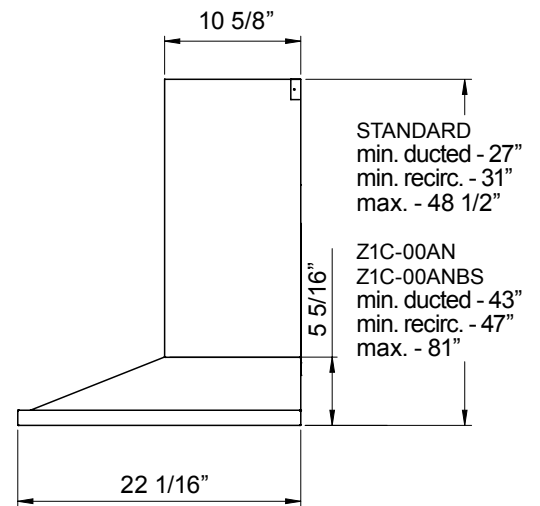
ACT™

Min. - Max. CFM	INTERNAL BLOWER STANDARD	INTERNAL BLOWER with ACT™ AIRFLOW CONTROL TECHNOLOGY™*	
	200 - 600	200 - 390	200 - 290
Min. - Max. Sones	1 - 6	1 - 4	1 - 3

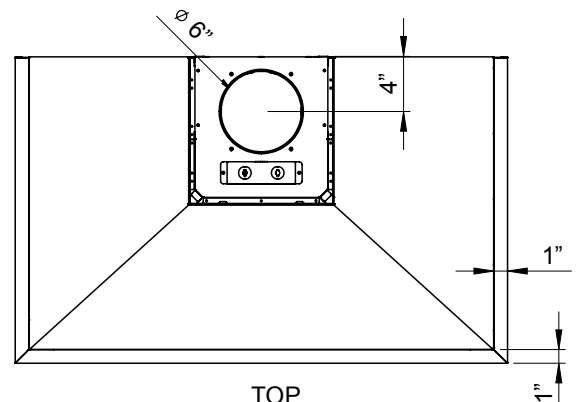
\*AIRFLOW CONTROL TECHNOLOGY™ (ACT™) is an exclusive feature built into specific Zephyr hoods which can limit the maximum blower CFM to meet local code requirements.



FRONT



SIDE



TOP

**MODEL**

Black Stainless Steel	ZAN-E30CBS	ZAN-M90CBS
Stainless Steel	ZAN-E30CS	ZAN-M90CS

<b>Size</b>	30"	36"
<b>Blower CFM (Min. - Max.)</b>	200 - 600	200 - 600
<b>Sones (Min. - Max.)</b>	1 - 6	1 - 6
<b>ACT 390 CFM (Min. - Max.)</b>	200 - 390	200 - 390
<b>ACT 390 Sones (Min. - Max.)</b>	1 - 4	1 - 4
<b>ACT 290 CFM (Min. - Max.)</b>	200 - 290	200 - 290
<b>ACT 290 Sones (Min. - Max.)</b>	1 - 3	1 - 3

**FEATURES**

<b>ACT™ Technology</b>	Yes	Yes
<b>Controls</b>	ICON Touch®	ICON Touch®
<b>Speed Levels</b>	5*	5*
<b>Auto Delay-Off</b>	Yes	Yes
<b>Lighting</b>	BriteStrip™ LED, x1	BriteStrip™ LED, x1
<b>Dual-Level Lighting</b>	Yes	Yes
<b>Filters</b>	Aluminum Mesh x2	Aluminum Mesh x2
<b>Recirculating Option</b>	Yes	Yes
<b>Extension Duct Cover Option</b>	Yes, Up to 12' Ceiling	Yes, Up to 12' Ceiling

**DUCT SPECIFICATIONS**

<b>Vertical Internal Blower</b>	6" Round	6" Round
<b>Horizontal Internal Blower</b>	NA	NA
<b>AC POWER</b>	120V, 60Hz at Max. 4A	120V, 60Hz at Max. 4A

**OPTIONAL ACCESSORIES**

<b>Recirculating Kit</b>	ZRC-01AN	ZRC-01AN
<b>Extension Duct Cover</b>	Z1C-00ANBS (Black SS) Z1C-00AN (SS)	Z1C-00ANBS (Black SS) Z1C-00AN (SS)
<b>Make-Up Air Kit</b>	MUA006A	MUA006A
<b>Hybrid Baffle Filter Kit (2 filters)</b>	ZOF-B002	ZOF-B002

<b>MOUNTING HEIGHT RANGE**</b>	26" - 34"	26" - 34"
--------------------------------	-----------	-----------

<b>WARRANTY</b>	3 years parts, 1 year labor	3 years parts, 1 year labor
-----------------	-----------------------------	-----------------------------

CEILING HEIGHT		8'	8.5'	9'	9.5'	10'	10.5'	11'	12'
STANDARD DUCT COVER	Ducted Mounting Height**	26" - 33"	26" - 34"	26" - 34"	29.5" - 34"	NA	NA	NA	NA
	Recirc Mounting Height**	26" - 29"	26" - 34"	26" - 34"	29.5" - 34"	NA	NA	NA	NA
EXTENSION DUCT COVER	Ducted Mounting Height**	NA	NA	26" - 29"	26" - 34"	26" - 34"	26" - 34"	26" - 34"	27" - 34"
	Recirc Mounting Height**	NA	NA	NA	26" - 31"	26" - 34"	26" - 34"	26" - 34"	27" - 34"

\*When ACT™ is enabled the maximum speed levels will change. ACT 390 CFM = 4 speeds and ACT 290 CFM = 3 speeds.  
 \*\*Mounting height refers to distance between top of a 36" tall cooking surface and bottom of hood.

**ACT™** AIRFLOW CONTROL TECHNOLOGY™ (ACT™) is an exclusive feature built into specific Zephyr hoods which can limit the maximum blower CFM to meet local code requirements.

Specifications subject to change, check zephyronline.com for up-to-date information.  
 Zephyr Ventilation | 2277 Harbor Bay Parkway, Alameda, CA 94502 | 888.880.VENT

