

MODENA island

Modena island's low-profile, stainless steel and airy glass canopy resembles a floating island over your cooktop or range. A perfect blend of architecture and performance, Modena island is sure to add the muscle your kitchen requires without the cluttered sight lines typical with more cumbersome range hood models. Equipped with DCBL Suppression™ technology, Modena island performs whisper-quiet air removal, while flaunting its technologically-advanced Bloom™ HD LED light bulbs and electronic LCD controls that rest subtly on its one-inch canopy.

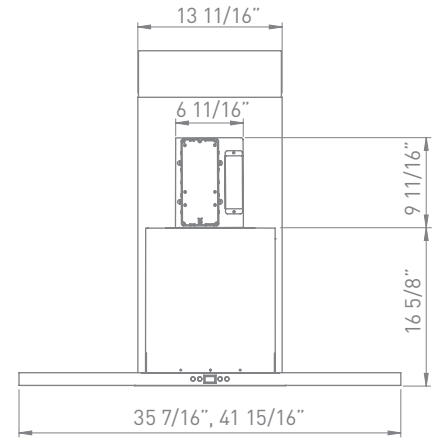
MODEL	SIZE	INTERNAL BLOWER		IN-LINE/EXTERNAL	
		Min.-Max. CFM	Min.-Max. Sones	Min.-Max. CFM	Min.-Max. Sones
ZMD-M90AS	36"	250 - 715	0.8 - 5.8	NA	NA
ZMD-E42AS	42"	250 - 715	0.8 - 5.8	NA	NA



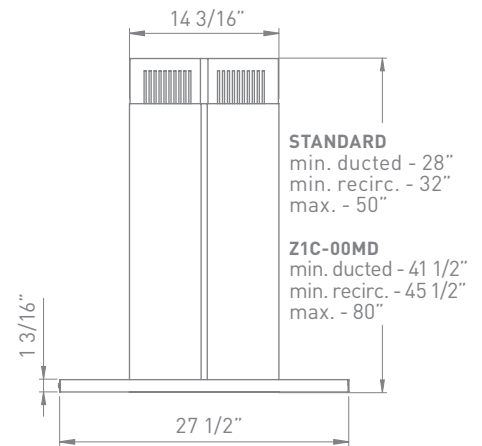
All Next Generation Europa range hoods are equipped with DCBL Suppression™ technology, including Bloom™ HD LED light bulbs. To learn more, visit us at zephyronline.com.



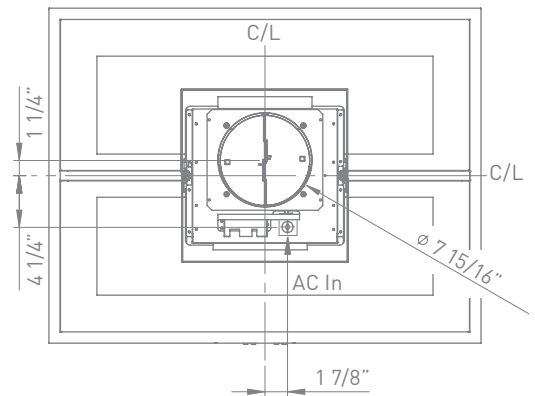
SIZE	
ZMD-M90AS	36"
ZMD-E42AS	42"
PERFORMANCE	
INTERNAL, MIN.-MAX. BLOWER CFM	250 - 715
INTERNAL, MIN.-MAX. SONES	0.8 - 5.8
COLOR	
STAINLESS STEEL	SS
FEATURES	
CONTROLS	Electronic LCD
SPEED LEVELS	5 + Burst
AUTO DELAY-OFF	Yes
LIGHTING	Bloom LED 3W x 4
DUAL LEVEL LIGHTING	Yes
FILTERS	Aluminum Mesh
RECIRCULATING OPTION	Yes
EXTENSION DUCT COVER OPTION	Yes, Up to 12' Ceiling
DUCT SPECIFICATIONS	
VERTICAL - INTERNAL	8"
HORIZONTAL - INTERNAL	NA
AC INPUT	
	120V - 60Hz
AC POWER	
	Max. 215W at 3.5A
OPTIONAL ACCESSORIES	
RECIRCULATING KIT	ZRC-00MD
EXTENSION DUCT COVER	Z1C-00MD
MOUNTING HEIGHT*	
	26" - 34"



FRONT



SIDE



TOP

CEILING HEIGHT		8'	8.5'	9'	9.5'	10'	10.5'	11'	12'
STANDARD DUCT COVER	Ducted Mounting Height*	26"-32"	26"-34"	26"-34"	28"-34"	34"-34"	NA	NA	NA
	Recirc. Mounting Height*	26"-28"	26"-34"	26"-34"	28"-34"	34"-34"	NA	NA	NA
EXTENSION DUCT COVER	Ducted Mounting Height*	NA	NA	26"-30.5"	26"-34"	26"-34"	26"-34"	26"-34"	28"-34"
	Recirc. Mounting Height*	NA	NA	26"-26.5"	26"-32.5"	26"-34"	26"-34"	26"-34"	28"-34"

*Mounting height refers to distance between top of a 36" tall cooking surface and bottom of hood.