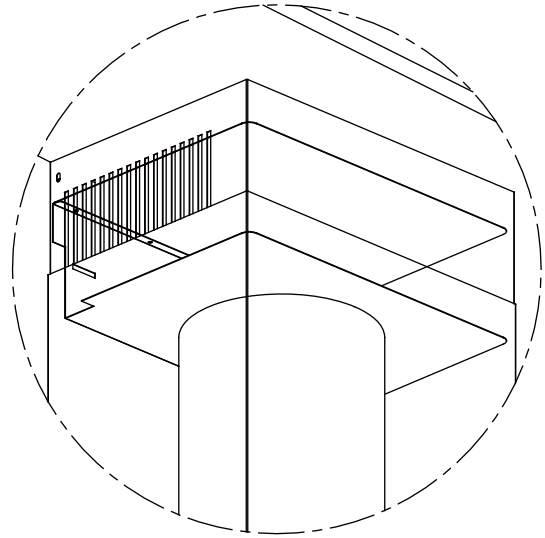
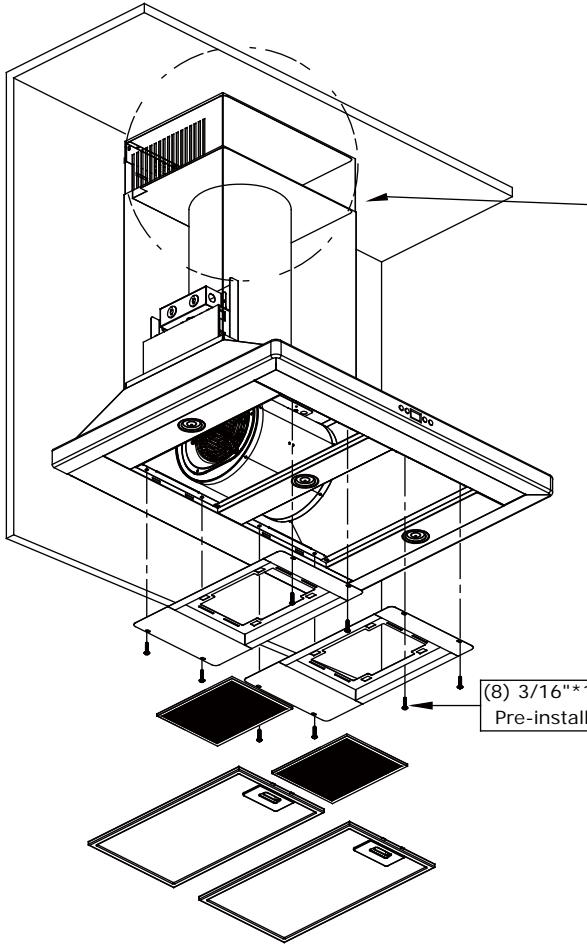
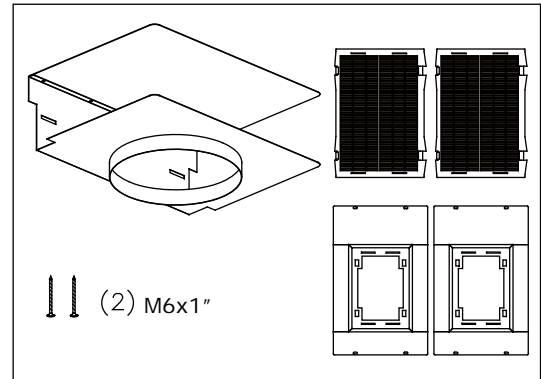


ZRC-00VE

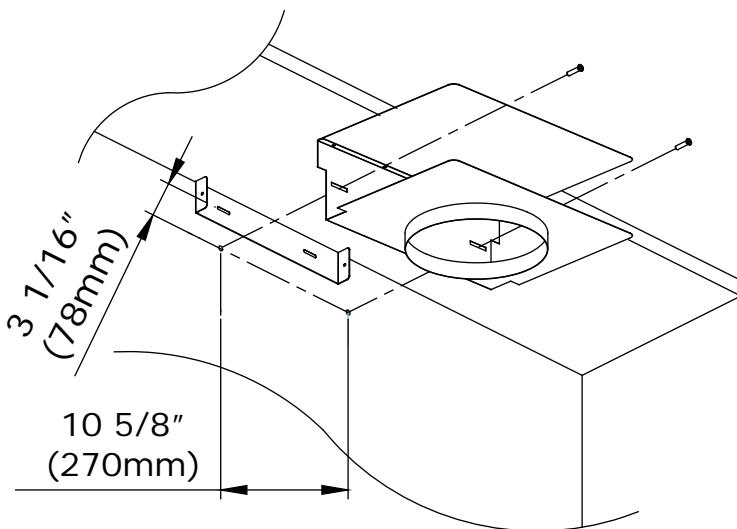
For use with models : ZVE-E30BS



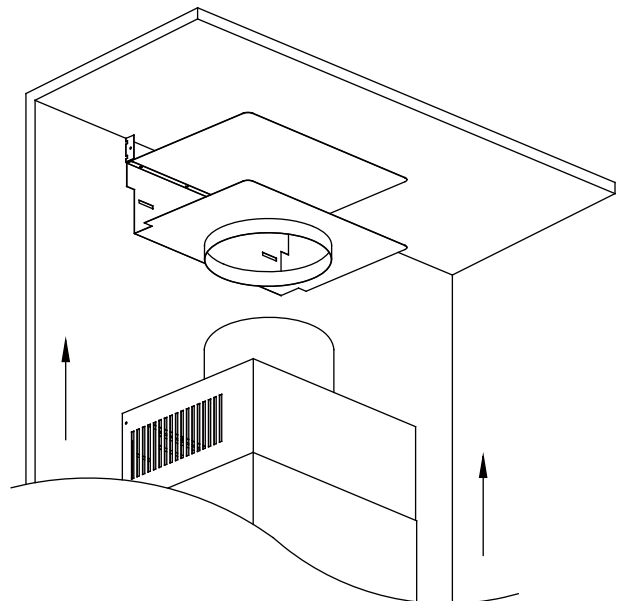
LIST OF MATERIALS



1

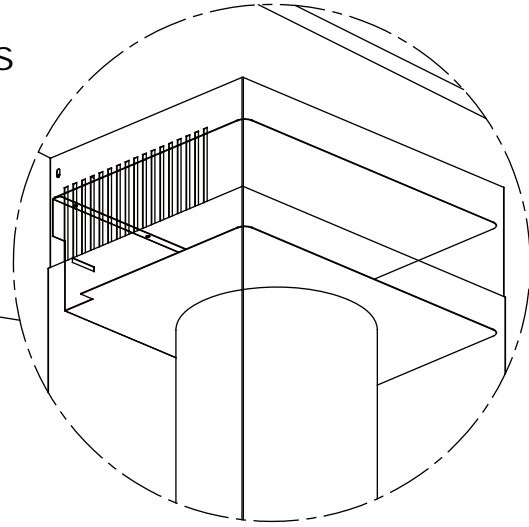
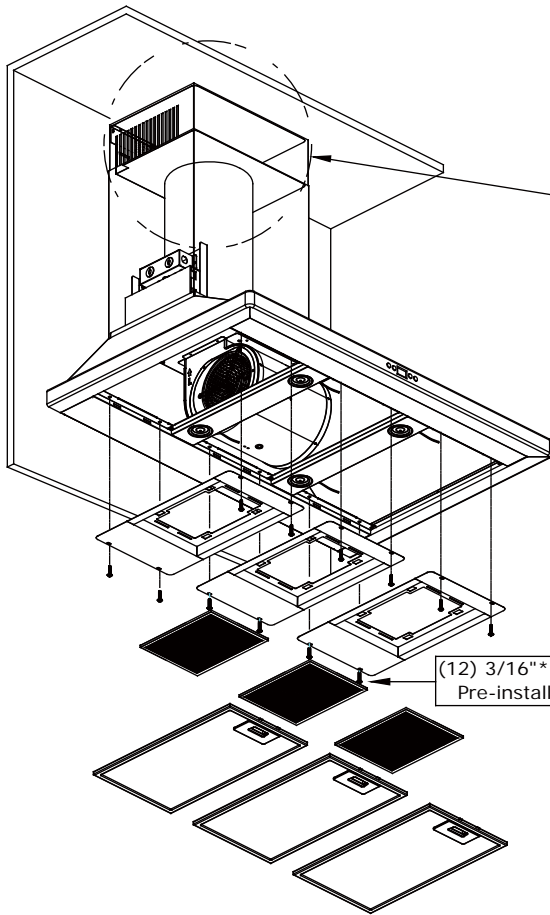


2

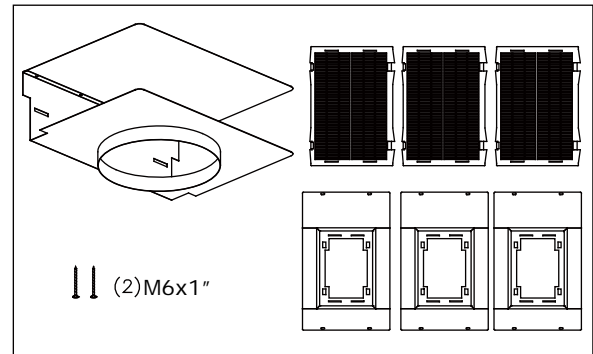


ZRC-01VE

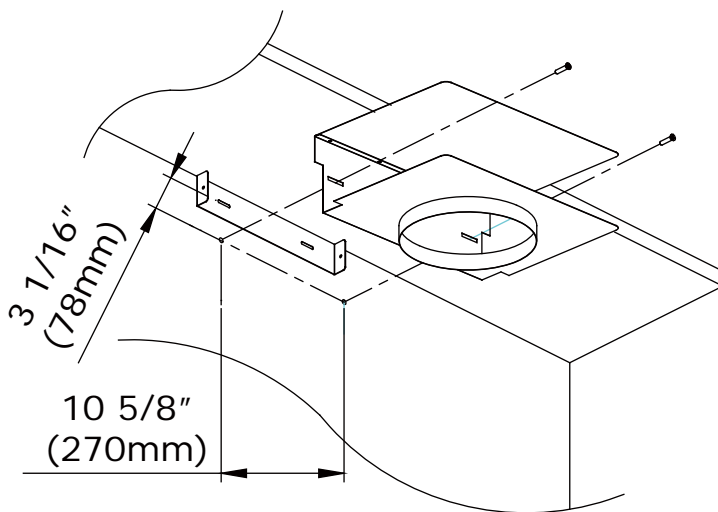
For use with models : ZVE-E36BS, ZVE-E42BS



LIST OF MATERIALS



1



2

