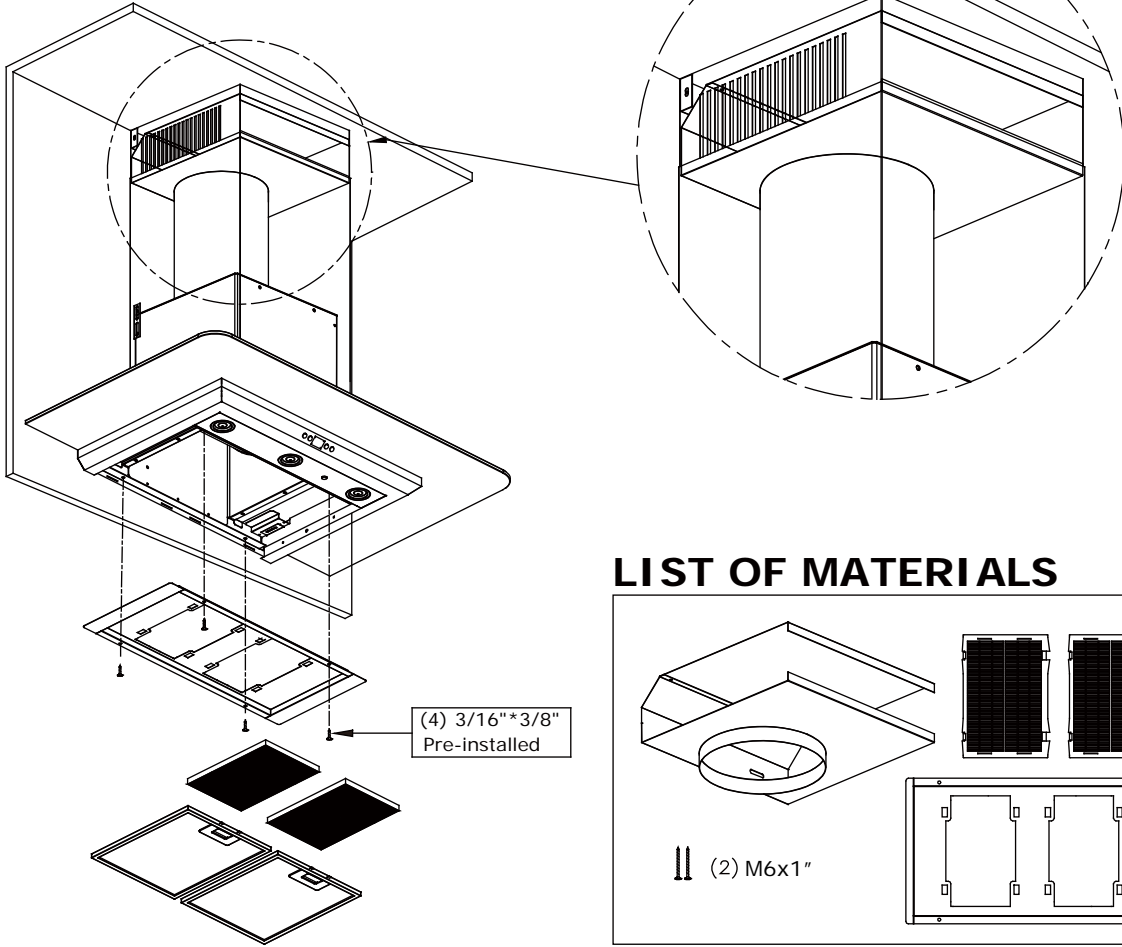
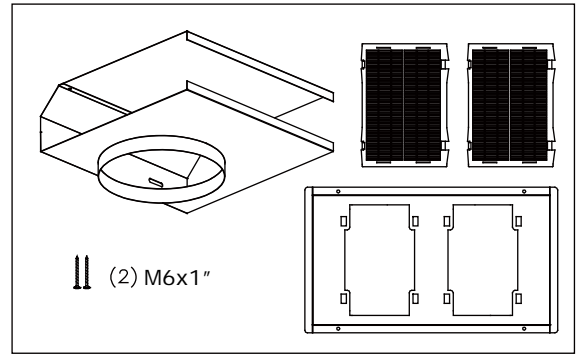


ZRC-00VO

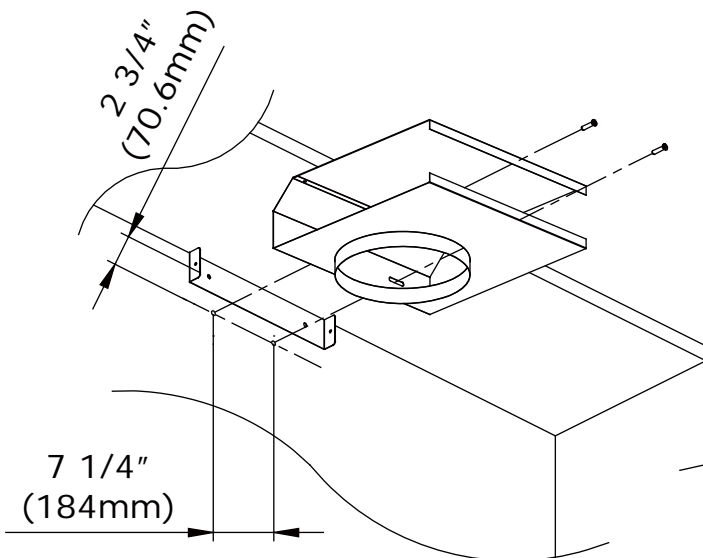
For use with models : ZVO-E30AG, ZVO-M90AG



LIST OF MATERIALS



1



2

