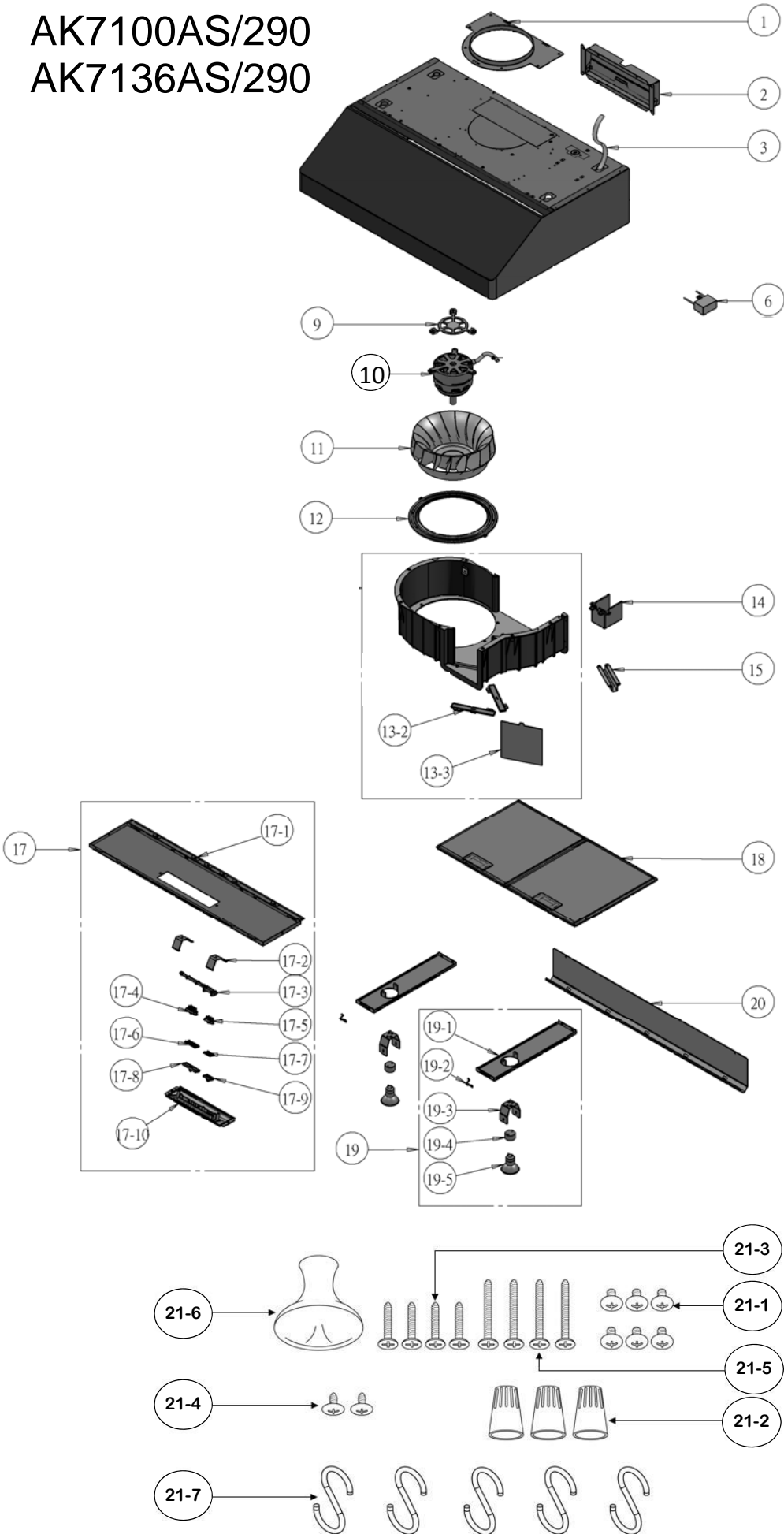


AK7100AS/290 AK7136AS/290



AK7100AS/290, AK7136AS/290

Ref #	Part #	Description	Qty.
1	54050065	Collar, 7" Round	1
2	54060011	Collar, Rectangular w/Damper	1
3	11030015	Wires, Electrical	1
6	12050024	Capacitor, 400 CFM	1
6	12050025	Capacitor, 290 CFM	1
9	54140060	Bracket, Motor	1
10	12120061	Motor, 400 CFM	1
10	12120062	Motor, 290 CFM	1
11	54250022	Blower Wheel	1
12	56210040	Cover, Blower Wheel	1
13-2	56210041	Cover, Air Diverter	2
13-3	56090013	Plate, Air Diverter	1
14	54200011	Junction Box	1
15	54140121	Bracket, Electrical	1
17	50500106	Assembly, Switch Panel (30")	1
17	50500107	Assembly, Switch Panel (36")	1
17-1	50140092	Panel, Front (30")	1
17-1	50140093	Panel, Front (36")	1
17-2	54150013	Clip, Switch	2
17-3	56240018	Spacer, Switch	1
17-4	11040009	Motor Switch	1
17-5	11040010	Light Switch	1
17-6	56220033	Gasket, Motor Switch	1
17-7	56220034	Gasket, Light Switch	1
17-8	56210057	Cover, Motor Switch	1
17-9	56210058	Cover, Light Switch	1
17-10	56210059	Cover, Switch Housing	1
18	50200030	Filter, Aluminum Mesh	2

18	50210012	Filter, Baffle (AK71xxAS-BF >= SN11)	2
18	50210018	Filter, Baffle (AK71xxAS-BF < SN11)	2
19	50500032	Assembly, Light Panel (30")	2
19	50500035	Assembly, Light Panel (36")	2
19-1	50110065	Panel, Light (30")	2
19-1	50110068	Panel, Light (36")	2
19-2	54160009	Spring Clip	2
19-3	54140050	Bracket, Light Socket	2
19-4	12100027	Socket, Light	2
19-5	Z0B-0020	Bulb, Halogen, GU-10, 50W	2
20	50320027	Utensil Bar (30")	1
20	50320028	Utensil Bar (36")	1
21	05000057	Hardware Packet	1
21-1	01070006	Screw, M4 x 6mm	6
21-2	15000002	Wire Cap	3
21-3	01070016	Screw, M4 x 3/4	4
21-4	01070002	Screw, M4 x 8mm	2
21-5	01070015	Screw, M4 x 1 1/4	4
21-6	15000004	Suction Cup	1
21-7	50180003	S Hook	5

OCT12.0301