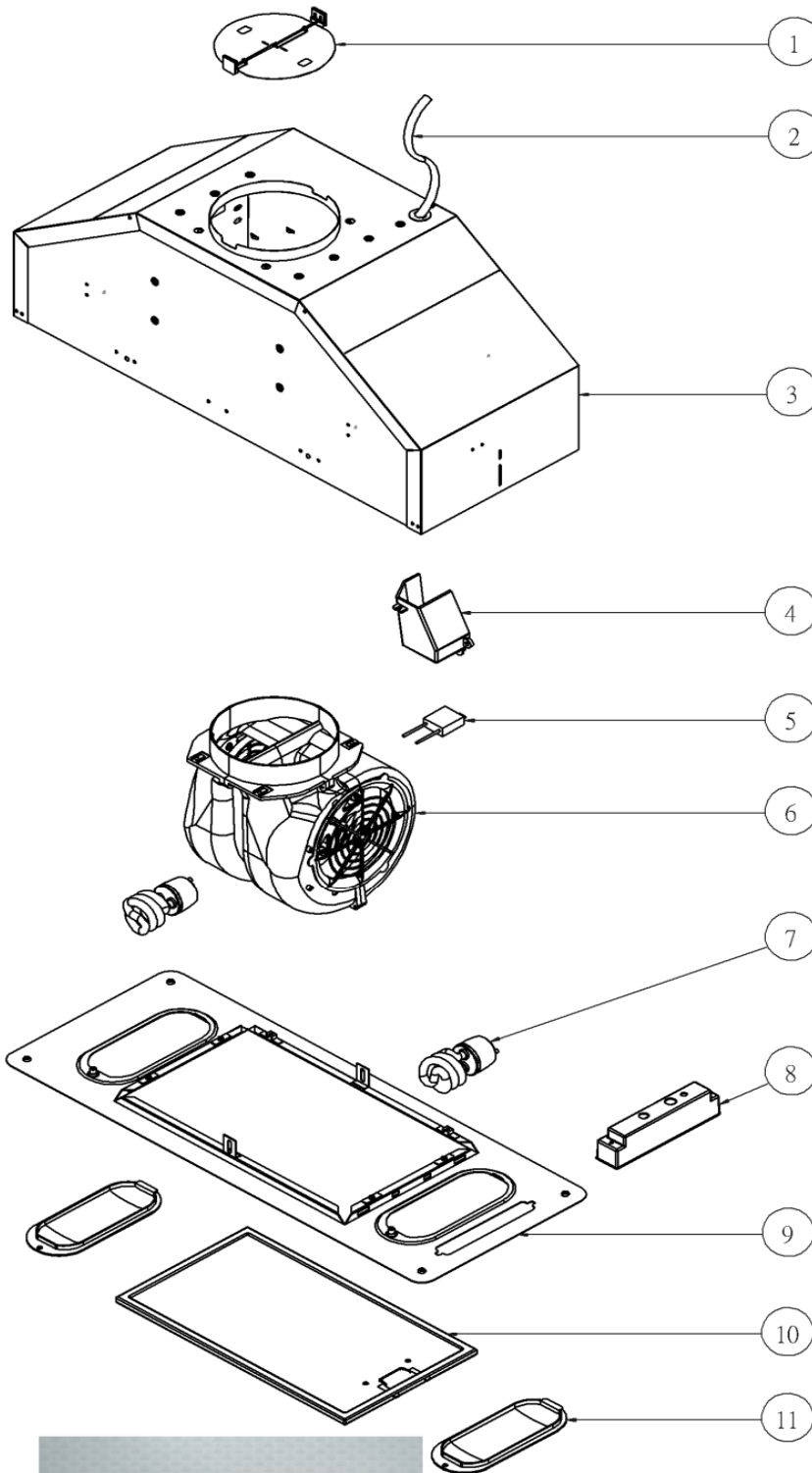


AK8000AS-ES



12-3

12-1

12-2

ZEPHYR

AK8000AS-ES

Twister-ES

Ref #	Part #	Description	per Hood
1	54060007	Damper Assembly	1
2	11030015	Wires, Electrical	1
4	54200012	Electrical Box	1
5	12050031	Capacitor	1
6	12120076	Motor	1
7	Z0B-0036	Bulb, Fluorescent, GU-24, 13W	2
8	11000089	Switch Assembly	1
9	50130117	Panel, Bottom	1
10	50200022	Filter, Aluminum Mesh	1
11	52150008	Light Cover	2
12	05000100	Hardware Packet	1
12-1	15000002	Wire Nuts	3
12-2	01090002	Screw, M6 x 1 1/2"	4
12-3	01090001	Screw, M6 x 1"	4

JUN14.0101