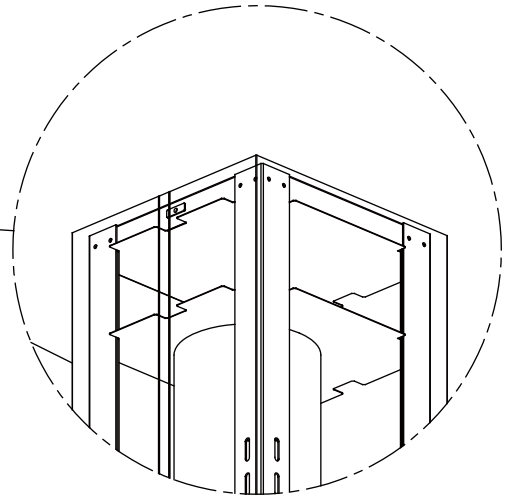
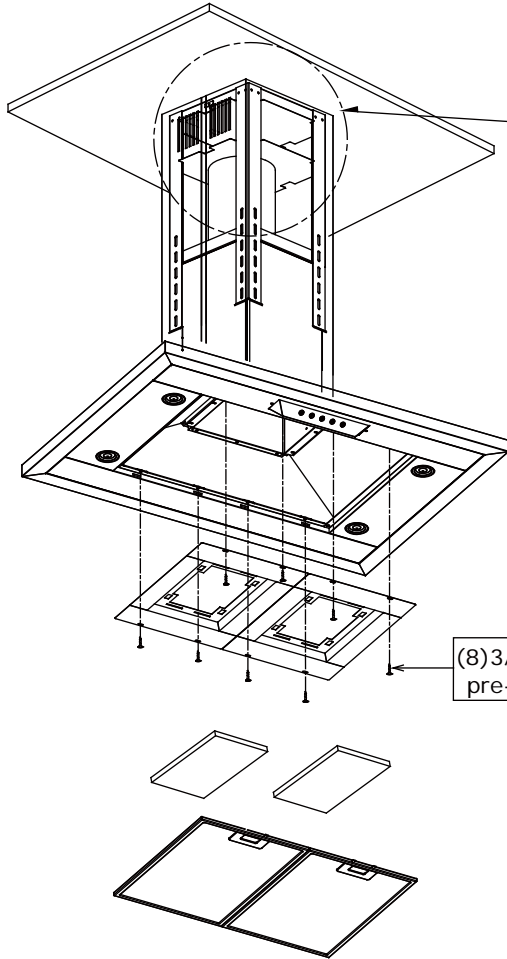
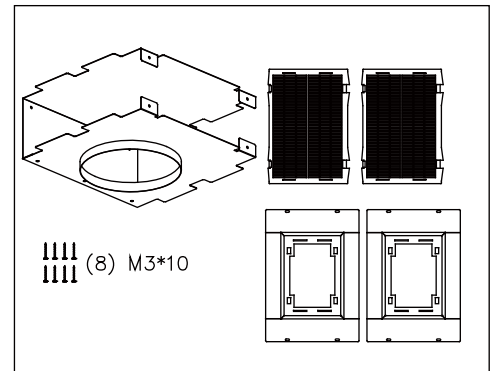


ZRC-00AZ

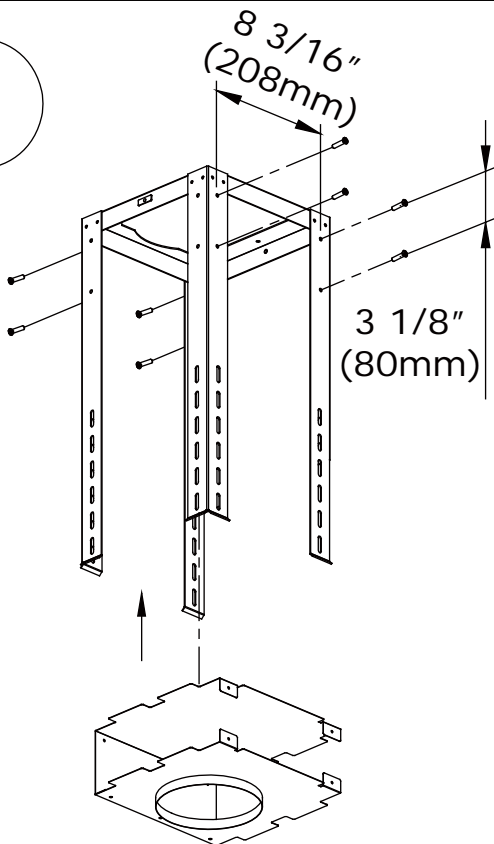
For use with models : ZAZ-M90AS



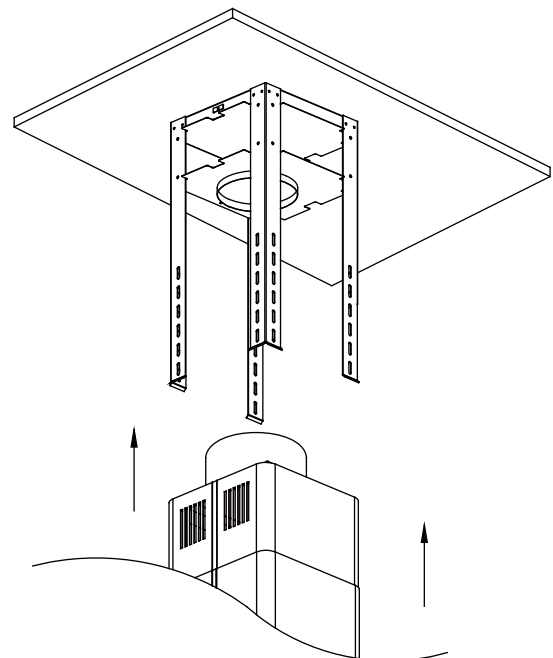
INCLUDED MATERIAL



1

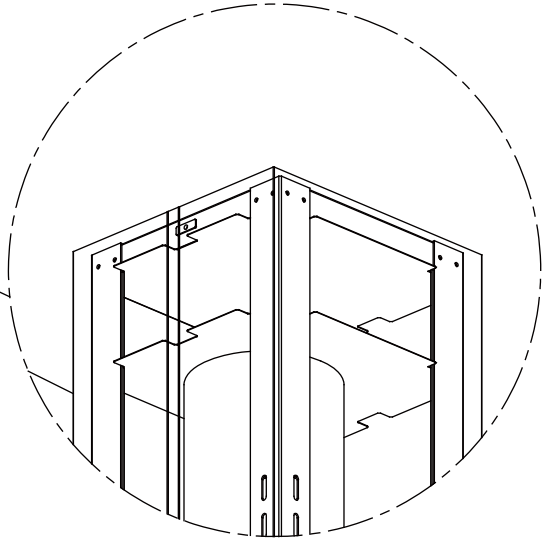
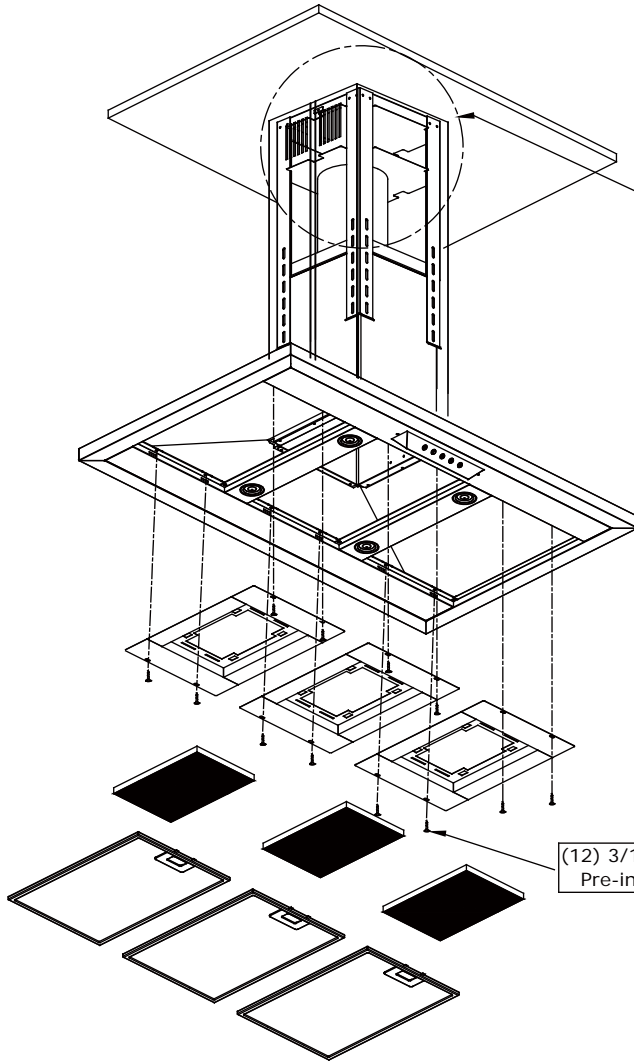


2



ZRC-01AZ

For use with models : ZAZ- E42AS



LIST OF MATERIALS

