

MODENA wall

Resembling a floating island made of steel and glass, Modena houses the most advanced Bloom™ HD LED light bulbs and electronic LCD controls within its one-inch stainless steel canopy. Nestled discreetly between the chimney and its outer ring, Modena's glass canopy adds a sense of lightness and augments the range hood's symmetry and low-profile design. A study in clean modern simplicity, Modena comes pre-loaded with DCBL Suppression™ technology so its performance will be as stunning as its looks.

MODEL	SIZE	INTERNAL BLOWER		IN-LINE/EXTERNAL	
		Min.-Max. CFM	Min.-Max. Sones	Min.-Max. CFM	Min.-Max. Sones
ZMO-E30AS	30"	250 - 715	0.8 - 5.8	NA	NA
ZMO-M90AS	36"	250 - 715	0.8 - 5.8	NA	NA

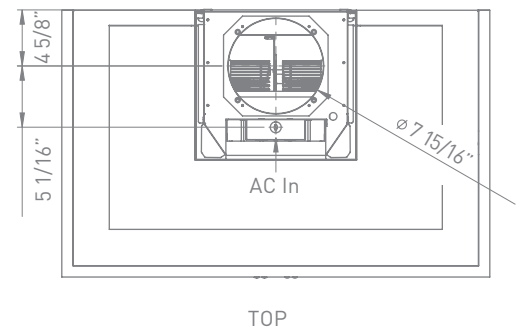
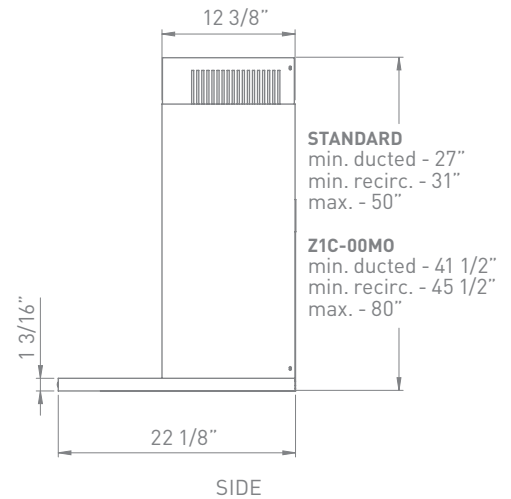
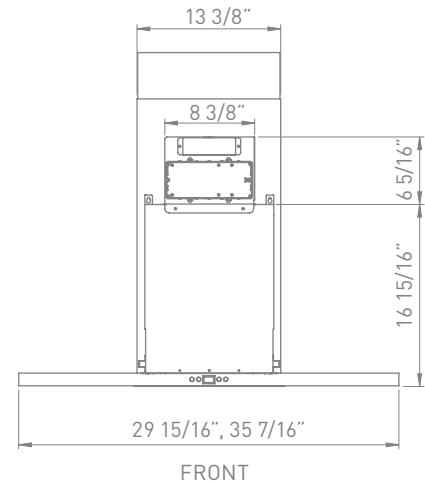


All Next Generation Europa range hoods are equipped with DCBL Suppression™ technology, including Bloom™ HD LED light bulbs. To learn more, visit us at zephyronline.com.



MODENA WALL | NEXT GENERATION EUROPA

SIZE	
ZMO-E30AS	30"
ZMO-M90AS	36"
PERFORMANCE	
INTERNAL, MIN.-MAX. BLOWER CFM	250 - 715
INTERNAL, MIN.-MAX. SONES	0.8 - 5.8
COLOR	
STAINLESS STEEL	SS
FEATURES	
CONTROLS	Electronic LCD
SPEED LEVELS	5 + Burst
AUTO DELAY-OFF	Yes
LIGHTING	Bloom LED 3W x 4
DUAL LEVEL LIGHTING	Yes
FILTERS	Aluminum Mesh
RECIRCULATING OPTION	Yes
EXTENSION DUCT COVER OPTION	Yes, Up to 12' Ceiling
DUCT SPECIFICATIONS	
VERTICAL - INTERNAL	8"
HORIZONTAL - INTERNAL	NA
AC INPUT	
	120V - 60Hz
AC POWER	
	Max. 215W at 3.5A
OPTIONAL ACCESSORIES	
RECIRCULATING KIT	ZRC-00MO
EXTENSION DUCT COVER	Z1C-00MO
MOUNTING HEIGHT*	
	26" - 34"



CEILING HEIGHT		8'	8.5'	9'	9.5'	10'	10.5'	11'	12'
STANDARD DUCT COVER	Ducted Mounting Height*	26"-33"	26"-34"	26"-34"	28"-34"	34"-34"	NA	NA	NA
	Recirc. Mounting Height*	26"-29"	26"-34"	26"-34"	28"-34"	34"-34"	NA	NA	NA
EXTENSION DUCT COVER	Ducted Mounting Height*	NA	NA	26"-30.5"	26"-34"	26"-34"	26"-34"	26"-34"	28"-34"
	Recirc. Mounting Height*	NA	NA	26"-26.5"	26"-32.5"	26"-34"	26"-34"	26"-34"	28"-34"

*Mounting height refers to distance between top of a 36" tall cooking surface and bottom of hood.