

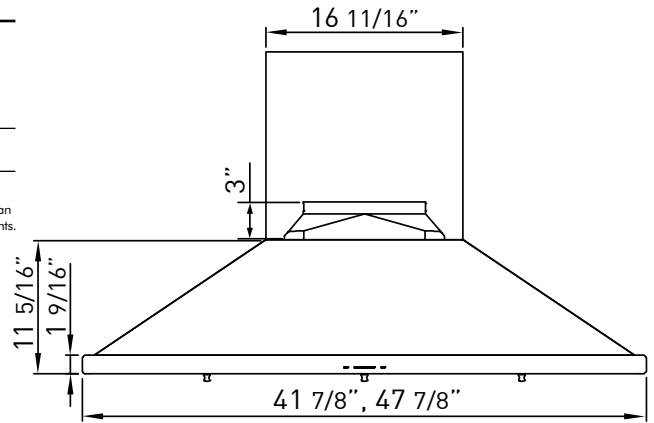
With its classic, professional-style design Siena Pro manages to encompass a wealth of features perfect for the culinary pro or any aspiring home chef. Equipped with a 1200-CFM blower, Zephyr's ICON Touch® controls, the

new BriteStrip™ LED lighting, and our exclusive ACT™ technology, clean, efficient power is just a touch away.

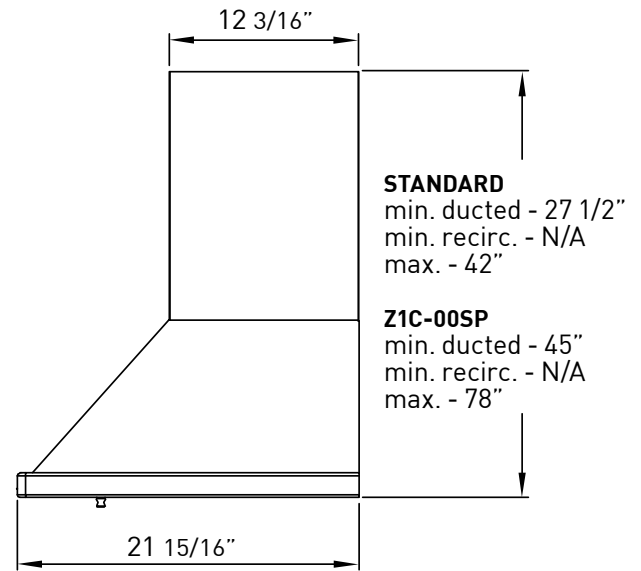
ACT™

Min. - Max. CFM	INTERNAL BLOWER STANDARD	INTERNAL BLOWER with ACT™ AIRFLOW CONTROL TECHNOLOGY™*	
	450 - 1,200	350 - 590	350 - 390
Min. - Max. Sones	3.5 - 9	3.3 - 6	3.3 - 4

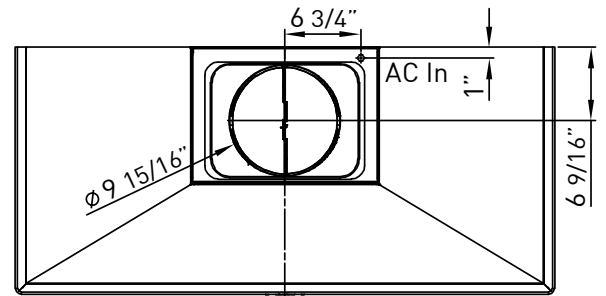
\*AIRFLOW CONTROL TECHNOLOGY™ (ACT™) is an exclusive feature built into specific Zephyr hoods which can limit the maximum blower CFM to meet local code requirements.



FRONT



SIDE



C/L

TOP

MODEL	ZSP-E42BS	ZSP-E48BS
Stainless Steel		
<b>Size</b>	42"	48"
<b>Blower CFM (Min. - Max.)</b>	450 - 1,200	450 - 1,200
<b>Sones (Min. - Max.)</b>	3.5 - 9	3.5 - 9
<b>ACT 590 CFM (Min. - Max.)</b>	350 - 590	350 - 590
<b>ACT 590 Sones (Min. - Max.)</b>	3.3 - 6	3.3 - 6
<b>ACT 390 CFM (Min. - Max.)</b>	350 - 390	350 - 390
<b>ACT 390 Sones (Min. - Max.)</b>	3.3 - 4	3.3 - 4
<b>FEATURES</b>		
<b>ACT™ Technology</b>	Yes	Yes
<b>Controls</b>	ICON Touch®	ICON Touch®
<b>Speed Levels</b>	5*	5*
<b>Auto Delay-Off</b>	Yes	Yes
<b>Lighting</b>	BriteStrip™ LED x1	BriteStrip™ LED x2
<b>Dual-Level Lighting</b>	Yes	Yes
<b>Filters</b>	Hybrid Baffles x2	Hybrid Baffles x3
<b>Recirculating Option</b>	No	No
<b>Extension Duct Cover Option</b>	Yes, Up to 12' Ceiling	Yes, Up to 12' Ceiling
<b>DUCT SPECIFICATIONS</b>		
<b>Vertical Internal Blower</b>	10" Round	10" Round
<b>Horizontal Internal Blower</b>	NA	NA
<b>AC POWER</b>	120V, 60Hz at Max. 9A	120V, 60Hz at Max. 9A
<b>OPTIONAL ACCESSORIES</b>		
<b>Extension Duct Cover</b>	Z1C-00SP	Z1C-00SP
<b>Make-Up Air Kit</b>	MUA010A	MUA010A
<b>MOUNTING HEIGHT RANGE**</b>	26" - 34"	26" - 34"
<b>WARRANTY</b>	3 years parts, 1 year labor	3 years parts, 1 year labor

CEILING HEIGHT		8'	8.5'	9'	9.5'	10'	10.5'	11'	12'
<b>STANDARD DUCT COVER</b>	Ducted Mounting Height*	26" - 32.5"	26" - 34"	30" - 34"	NA	NA	NA	NA	NA
<b>EXTENSION DUCT COVER</b>	Ducted Mounting Height*	NA	NA	26" - 27"	26" - 33"	26" - 34"	26" - 34"	26" - 34"	30" - 34"

\*When ACT™ is enabled the maximum speed levels will change. ACT 590 CFM = 3 speeds and ACT 390 CFM = 2 speeds.

\*\*Mounting height refers to distance between top of a 36" tall cooking surface and bottom of hood.

