

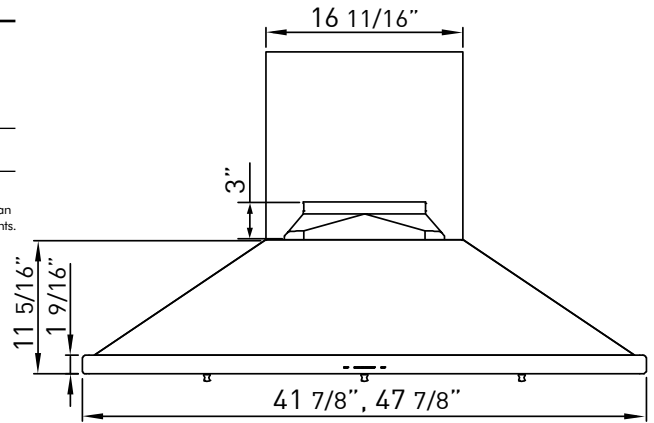
With its classic, professional-style design Siena Pro manages to encompass a wealth of features perfect for the culinary pro or any aspiring home chef. Equipped with a 1200-CFM blower, Zephyr's ICON Touch® controls, the

new BriteStrip™ LED lighting, and our exclusive ACT™ technology, clean, efficient power is just a touch away.

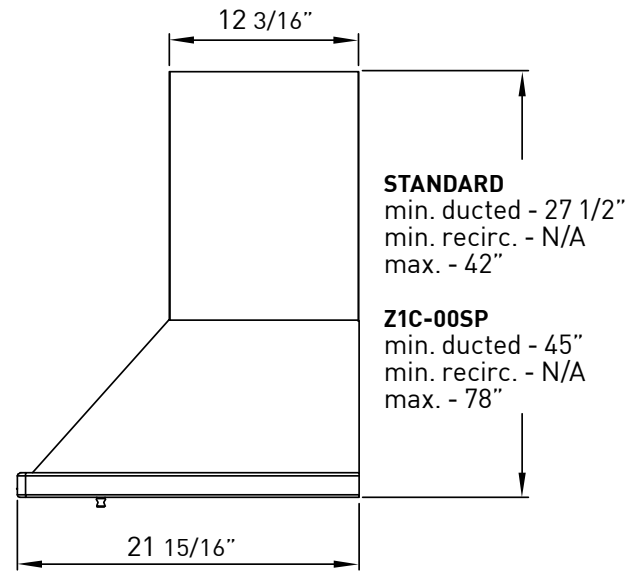
ACT™

Min. - Max. CFM	INTERNAL BLOWER STANDARD	INTERNAL BLOWER with ACT™ AIRFLOW CONTROL TECHNOLOGY™*	
	450 - 1,200	350 - 590	350 - 390
Min. - Max. Sones	3.5 - 9	3.3 - 6	3.3 - 4

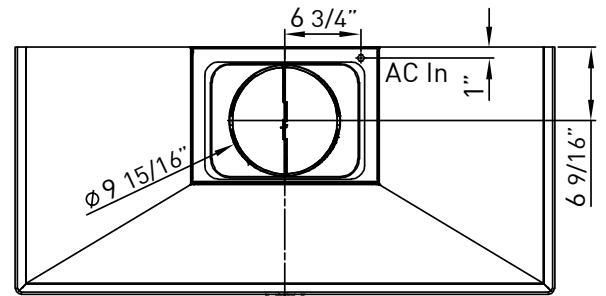
\*AIRFLOW CONTROL TECHNOLOGY™ (ACT™) is an exclusive feature built into specific Zephyr hoods which can limit the maximum blower CFM to meet local code requirements.



FRONT



SIDE



C/L

TOP

MODEL	ZSP-E42BS	ZSP-E48BS
Stainless Steel		
<b>Size</b>	42"	48"
Blower CFM (Min. - Max.)	450 - 1,200	450 - 1,200
Sones (Min. - Max.)	3.5 - 9	3.5 - 9
ACT 590 CFM (Min. - Max.)	350 - 590	350 - 590
ACT 590 Sones (Min. - Max.)	3.3 - 6	3.3 - 6
ACT 390 CFM (Min. - Max.)	350 - 390	350 - 390
ACT 390 Sones (Min. - Max.)	3.3 - 4	3.3 - 4
<b>FEATURES</b>		
ACT™ Technology	Yes	Yes
Controls	ICON Touch®	ICON Touch®
Speed Levels	5*	5*
Auto Delay-Off	Yes	Yes
Lighting	BriteStrip™ LED x1	BriteStrip™ LED x2
Dual-Level Lighting	Yes	Yes
Filters	Hybrid Baffles x2	Hybrid Baffles x3
Recirculating Option	No	No
Extension Duct Cover Option	Yes, Up to 12' Ceiling	Yes, Up to 12' Ceiling
<b>DUCT SPECIFICATIONS</b>		
Vertical Internal Blower	10" Round	10" Round
Horizontal Internal Blower	NA	NA
AC POWER	120V, 60Hz at Max. 9A	120V, 60Hz at Max. 9A
<b>OPTIONAL ACCESSORIES</b>		
Extension Duct Cover	Z1C-00SP	Z1C-00SP
Make-Up Air Kit	MUA010A	MUA010A
<b>MOUNTING HEIGHT RANGE**</b>	26" - 34"	26" - 34"
<b>WARRANTY</b>	3 years parts, 1 year labor	3 years parts, 1 year labor

CEILING HEIGHT		8'	8.5'	9'	9.5'	10'	10.5'	11'	12'
<b>STANDARD DUCT COVER</b>	Ducted Mounting Height*	26" - 32.5"	26" - 34"	30" - 34"	NA	NA	NA	NA	NA
<b>EXTENSION DUCT COVER</b>	Ducted Mounting Height*	NA	NA	26" - 27"	26" - 33"	26" - 34"	26" - 34"	26" - 34"	30" - 34"

\*When ACT™ is enabled the maximum speed levels will change. ACT 590 CFM = 3 speeds and ACT 390 CFM = 2 speeds.

\*\*Mounting height refers to distance between top of a 36" tall cooking surface and bottom of hood.

