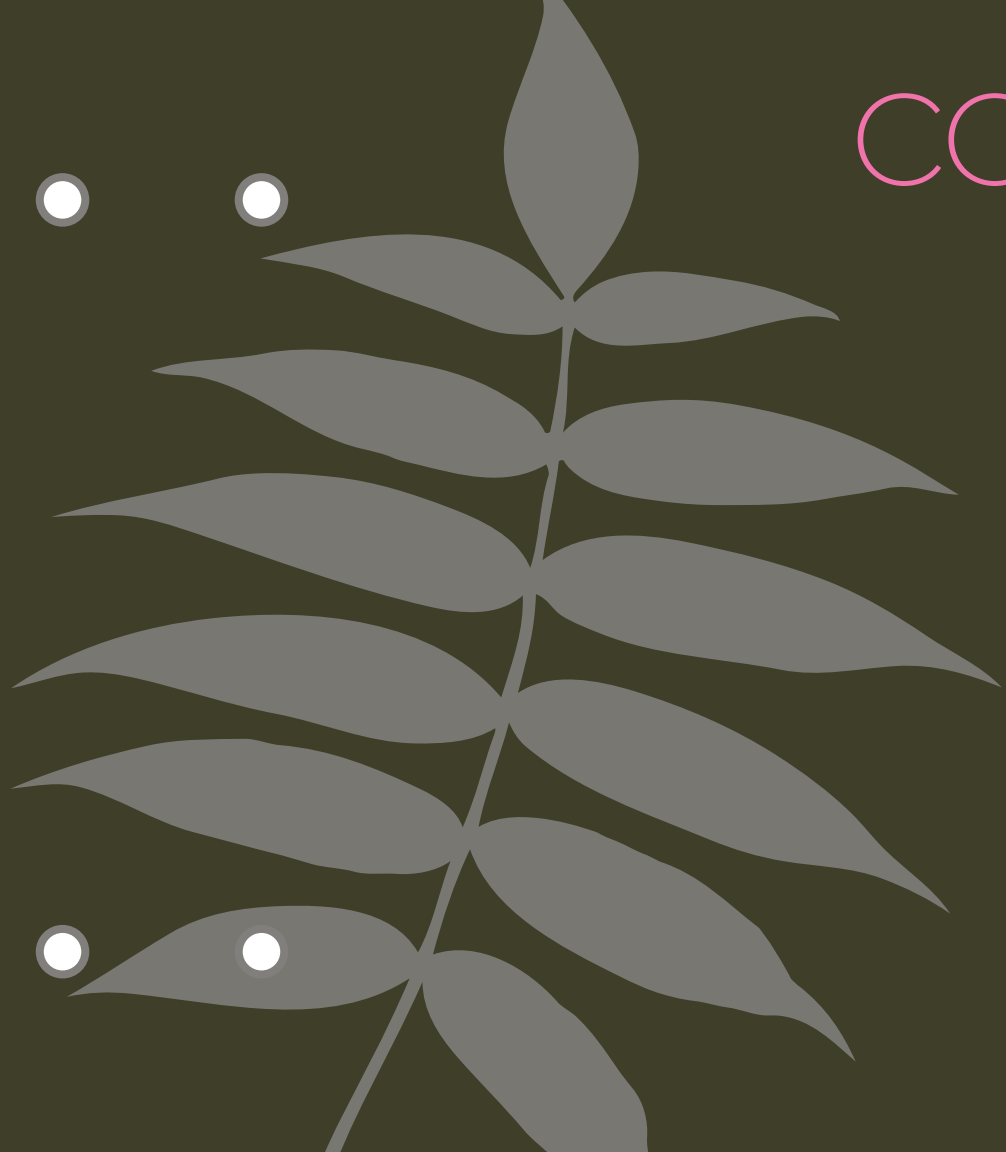


# CHENG COLLECTION



At Zephyr, good design is never an afterthought or a luxury. It's a way of life. That's why we have partnered with some of the world's most renowned designers, like Fu Tung Cheng, to deliver distinctive hoods that bring our philosophy to life—offering designs that embrace the individuality of those who make them, and enliven the spirits of those who will live with them.

**Zephyr Corporation**  
395 Mendell Street  
San Francisco, CA 94124

**1.888.880.VENT**

**[www.zephyronline.com](http://www.zephyronline.com)**

**ZEPHYR**  
CHENG COLLECTION  
*Fu Tung Cheng*

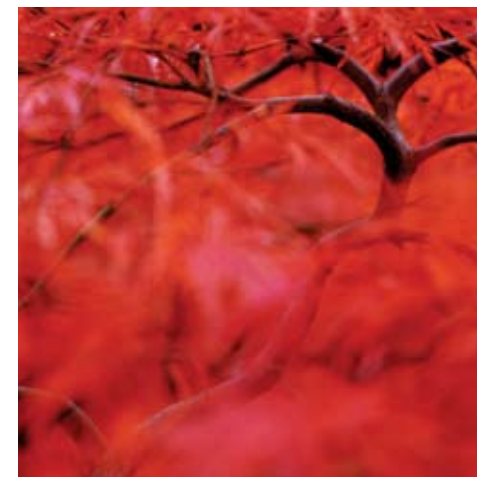
True beauty lies in the balance of art and function, simplicity and elegance, shape and texture. No single element should be overlooked—no matter how slight its purpose. These beliefs are at the heart of Cheng Collection—a series of bold, unique, and inspired hoods that we hope will inspire you to live more fully every day.

**individual. elegant. inspired.**

WHEN I FIRST MET MY FRIENDS AT ZEPHYR, I was struck by the similarity of our visions and our common belief that design can be transformative. This has led us to develop an inspired series of hoods that I hope will open people's minds and change the way they see the world around them.

I invite you to explore all of the Cheng Collection hoods, and join us in discovering the riches locked inside ordinary objects.

Enjoy!  
Fu-Tung Cheng



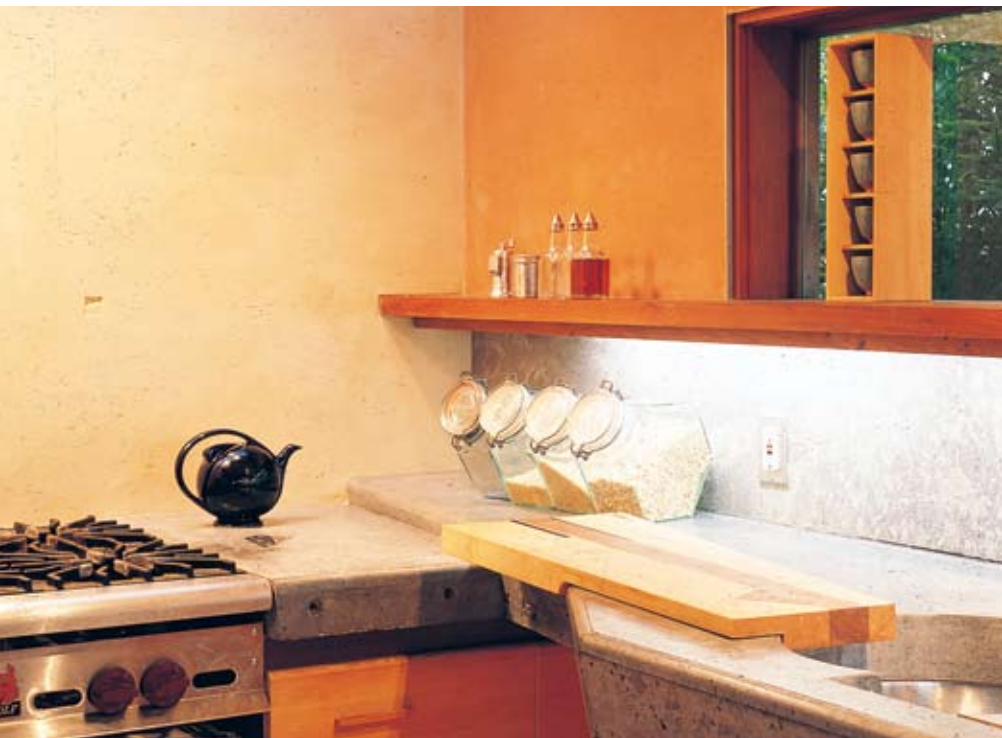


Photo by Richard Barnes©

individual.



Photo by Richard Barnes©

**CACHE**

Another of Fu-Tung Cheng's stylish new concepts, Cache's subdued design eschews clutter, infusing your entire kitchen with ordered elegance. Beneath its sweeping, understated hood and signature utensil-rail, the Cache hides a spacious storage compartment—perfect for housing herbs, spices, and other culinary devices.

SIZES: 30", 36", 48" | CFM: 600, 1000



**OKEANITO**

The perfect marriage of vision, whimsy and discipline, the Okeanito never goes unnoticed. The graceful, sweeping hood offers fluidity and softness, perfectly balancing the cool linear elements of this timeless design—infusing its surroundings with a sense of grace and calm while ambient light radiates through hand-perforated side panels.

**SIZES: 36", 42", 48" | CFM: 600, 1000**



**PADOVA**

Inspired by Italy's timeless architectural aesthetic, the Padova invites your originality and vision. This new concept from Fu-Tung Cheng is designed to be customized with the materials of your choice. So whether you prefer mosaic tile, ribbed glass, or the many possibilities of Italian Marmorino plaster, you will have a hand in making Padova a signature addition to your home.

**SIZES: 42", 48", 54" | CFM: 600, 1000**



**SHADE**

The Shade fuses Cheng's drive for expression with his playful ingenuity, offering elegant curves, handcrafted details, and integrated front panels that provide endless interchangeable options such as ribbed glass, bamboo, copper and wood. As organic as the seasons, the Shade is a creative counterpart to your home's evolving identity—even offering a hinged canopy that can be tucked away when not in use.

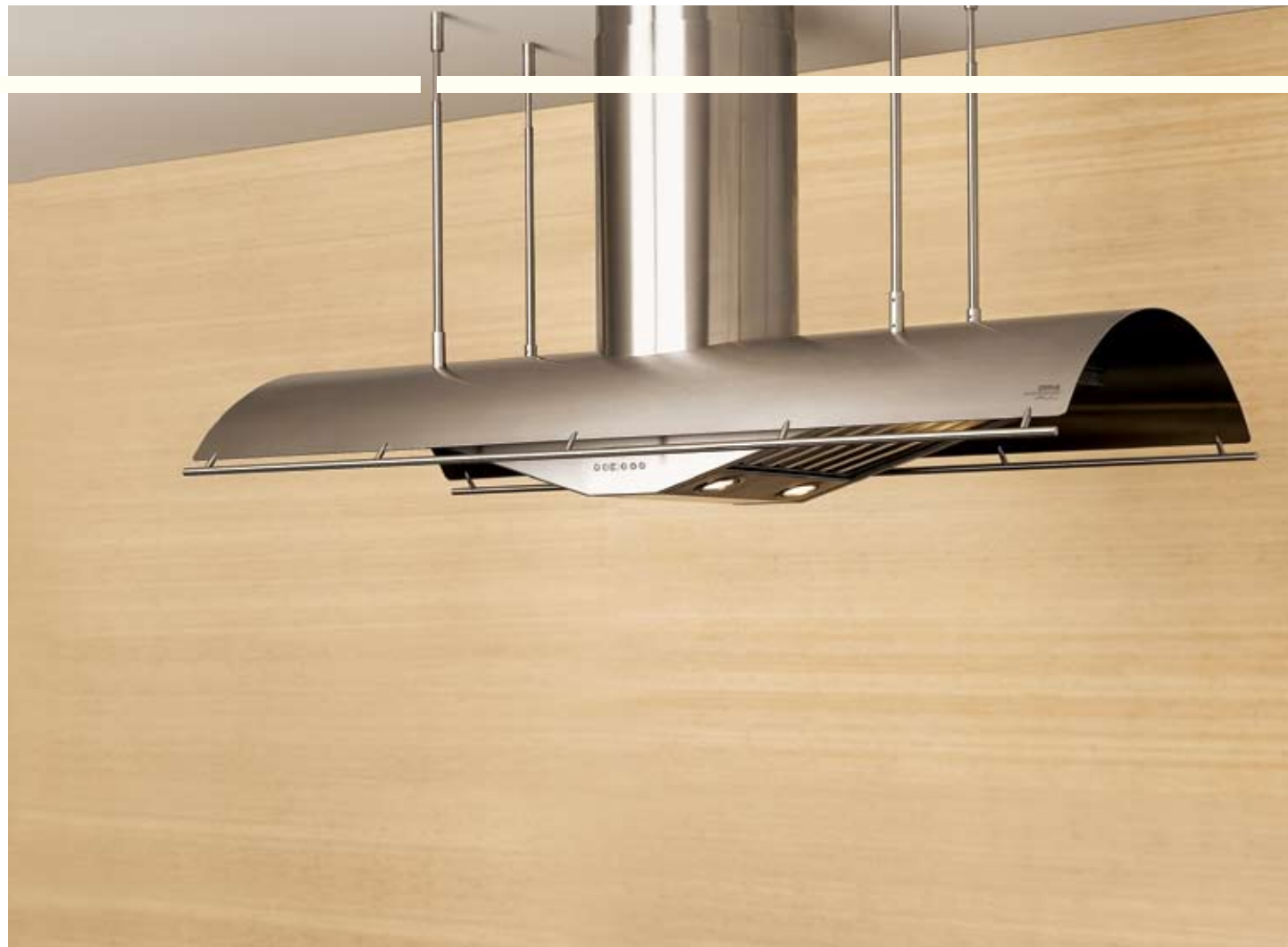
**SIZES: 36", 42", 48" | CFM: 600, 1000**



**TRAPEZE**

Our first island hood, the light and airy Trapeze is a streamlined reprieve from its bulky, conventional counterparts. Using a delicate suspension structure, the Trapeze seems to hover delicately in mid-air. With a graceful, slow-curve canopy and directional halogen lighting, the Trapeze is more than a focal point—it's a statement.

SIZES: 48", 54", 60" | CFM: 600, 1000



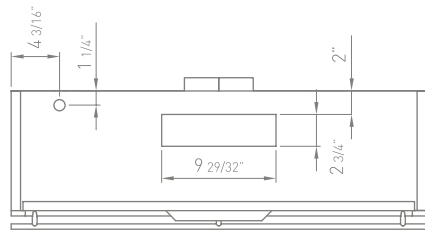
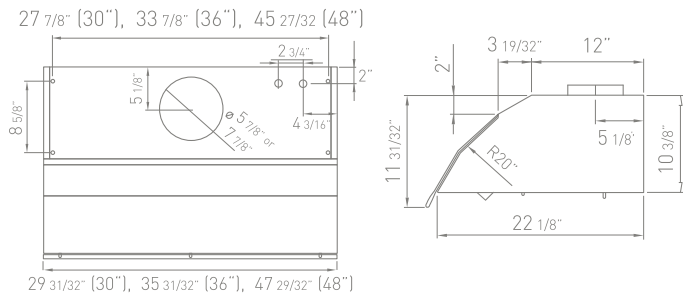




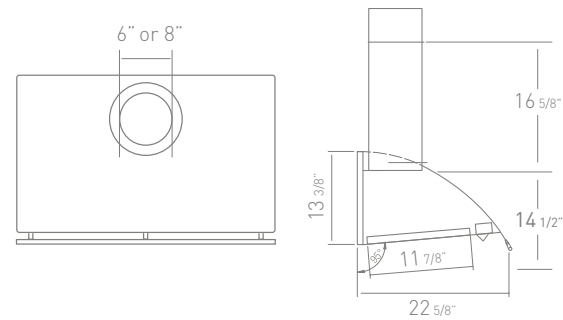
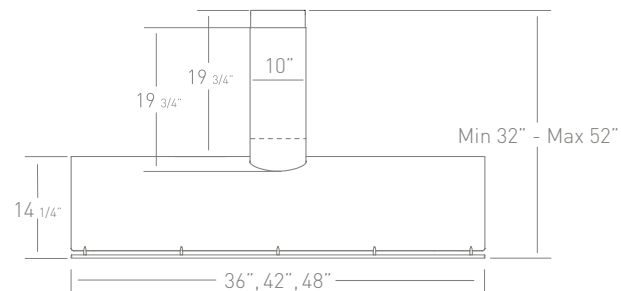
inspired.



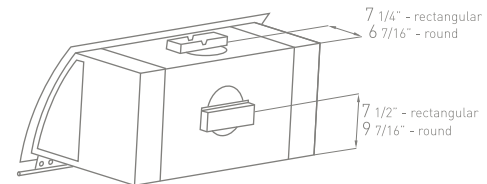
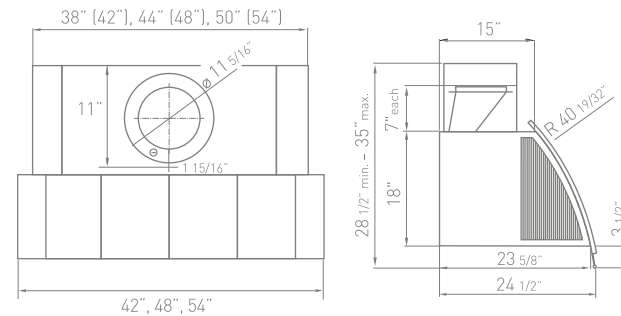
CACHE



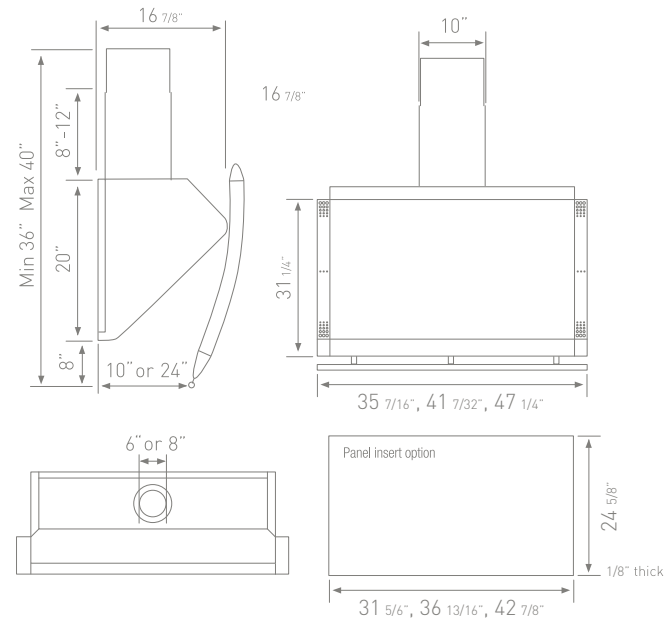
OKEANITO



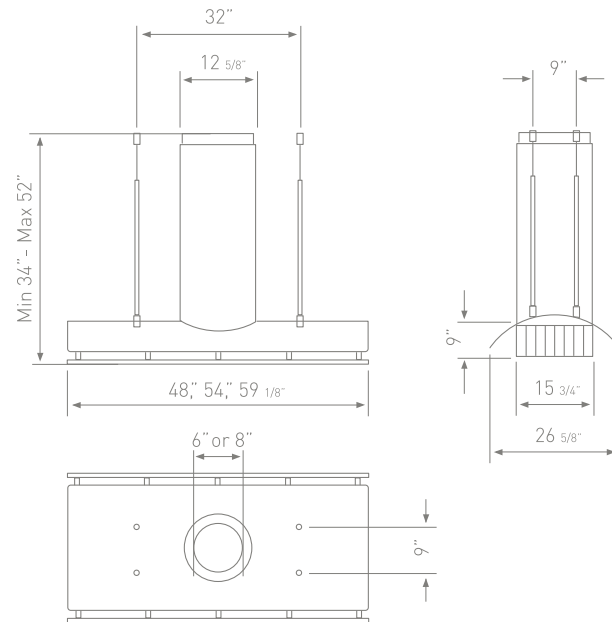
PADOVA



## SHADE



## TRAPEZE



	MODEL NAME	MODEL NUMBER	SIZE	CFM	SONES	CONTROLS	SPEEDS	LAMPS	LIGHTING
UNDER CABINET	Cache	CCA-E30ASX	30"	600/1000	7	Electronic Touch	3	Halogen	Dual Level
		CCA-E36ASX	36"	600/1000	7				
		CCA-E48ASX	48"	600/1000	7				
WALL	Okeanito	COK-E36SX	36"	600/1000	7	Electronic Touch	3	Halogen	Dual Level
		COK-E42SX	42"	600/1000	7				
		COK-E48SX	48"	600/1000	7				
	Padova	CPA-E42ASX	42"	600/1000	9	Electronic Touch	3	Halogen	Dual Level
		CPA-E48ASX	48"	600/1000	9				
		CPA-E54ASX	54"	600/1000	9				
	Shade	CSH-E36SX	36"	600/1000	7	Electronic Touch	3	Halogen	Dual Level
		CSH-E42SX	42"	600/1000	7				
		CSH-E48SX	48"	600/1000	7				
ISLAND	Trapeze	CTP-E48SX	48"	600/1000	7	Electronic Touch	3	Halogen	Dual Level
		CTP-E54SX	54"	600/1000	7				
		CTP-E60SX	60"	600/1000	7				

Please note: Blowers are sold separately and each model is available with a separate 600 CFM internal or 1000 CFM external blower option.  
The Padova canopy is sold separately.



---

---

---

---

---

---

---

---

---

---

---

---

---

---

---

---

---

---

---

---

---

---

---

---

---

---

