

CORE

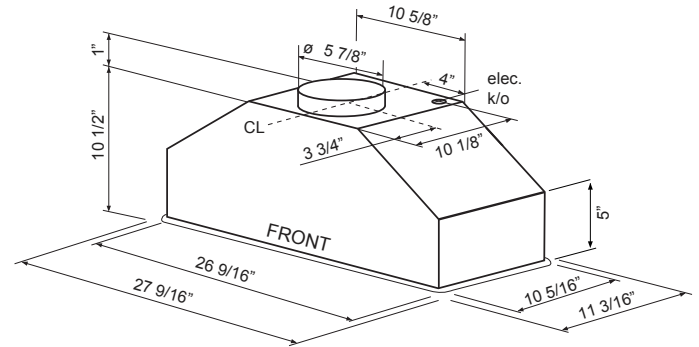
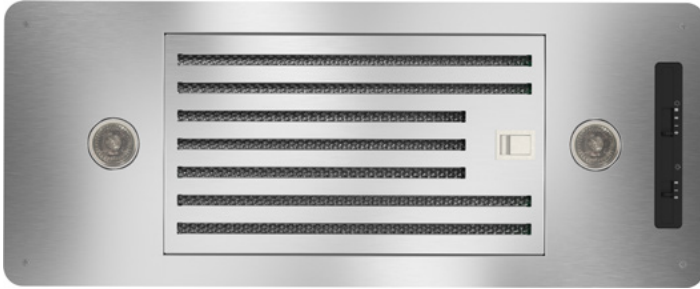
TORNADO I

INSERT

Tornado I provides muscle and flexibility in a small, barely-visible package beneath your customizable vent hood canopy. This 600 CFM power pack features dual-level halogen lighting, 3-speed blower, a newly updated

hybrid baffle filter and an angled housing unit for a better fit with any built-in canopy. An optional stainless steel liner extends and protects your cabinetry.

ZEPHYR
ZEPHYRONLINE.COM



Cabinet Bottom Cut-Out Size (W x D): 26 3/4" x 10 1/2"



MODEL	
Stainless Steel	AK8100AS-BF
Size	27" (27-9/16")
Blower CFM (Min. - Max.)	200 - 600
Sones (Min. - Max.)	1.4 - 6
FEATURES	
Controls	Mechanical Slide
Speed Levels	3
Auto Delay-Off	No
Lighting	Halogen, 35W x2
Dual-Level Lighting	Yes
Filters	Hybrid Baffle x1
Recirculating Option	No
DUCT SPECIFICATIONS	
Vertical Internal Blower	6" Round
Horizontal Internal Blower	NA
AC POWER	120V, 60Hz at Max. 3.3A

OPTIONAL ACCESSORIES	
30" Liner (17-1/2" - 20-1/2" Depth)	AK0800AS
36" Liner (17-1/2" - 20-1/2" Depth)	AK0836AS
Bloom™ GU10 LED	Z0B0040

MOUNTING HEIGHT RANGE*	24" - 36"
-------------------------------	-----------

WARRANTY	10 years parts, 1 year labor
-----------------	------------------------------

*Mounting height refers to distance between top of a 36" tall cooking surface and bottom of hood.