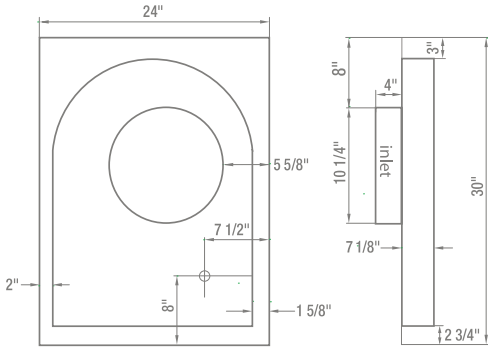
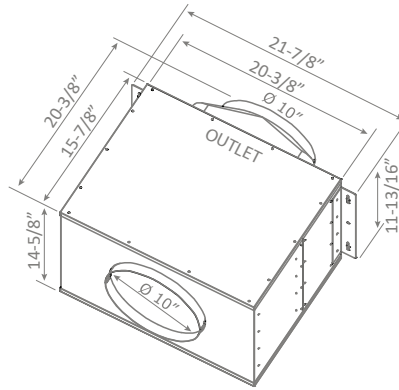


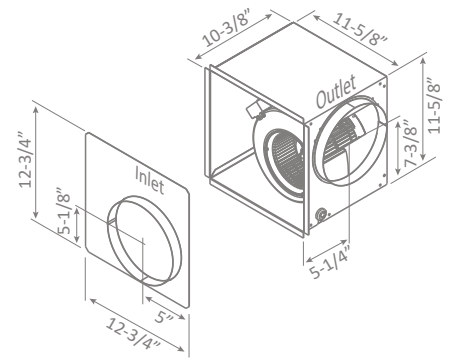
CBE-1000
(external)



PBN-1000A
(in-line)



DBI-600A
(internal/in-line)



BLOWERS

MODEL	BLOWER TYPE	MAX WATTS*	MAX AMPS*	CFM	SONES	COMPATIBLE MODELS
CBI-290A	Single Internal	77	0.75	200 - 290	1.4 - 3	Designer Collection
CBI-290B	Single Internal	77	0.75	200 - 290	1.4 - 3	AK83
CBI-600A	Single Internal	320	2.75	240 - 600	1.8 - 6	Designer Collection
CBI-600B	Single Internal	320	2.75	240 - 600	1.8 - 6	AK83
DBI-600A	Internal/In-line	340	3.0	200 - 600	N/A	DLI-ExxAxX
PBI-1100A	Dual Internal	640	5.45	500 - 1,100	3.5 - 8	AK83, ALU-ExxBxX
PBD-1200A	Dual Internal	660	5.8	400 - 1,200	3.5 - 9	AK70xxBS, AK75xxBS
PBD-1300A	Dual Internal	490	8.0	350 - 1,300	1 - 8	AK76xxAS, AK77xxAS, ZRP-ExxAS
CBE-1000**	External	640	5.45	500 - 1,000	NA	AK83, Designer Collection
PBN-1000A**	In-line	700	6.25	500 - 1,000	NA	AK83, Designer Collection

*Add blower Watts and Amps to AC Power details from hood spec sheet to determin total power consumption.

**For Designer Collection and AK83 hoods you must transition from 10" to 8" ducting before duct passes through ceiling. A 10" to 8" adapter is included with external and in-line blowers. The exception to this is ALU-ExxBxX which uses a 10" round.