

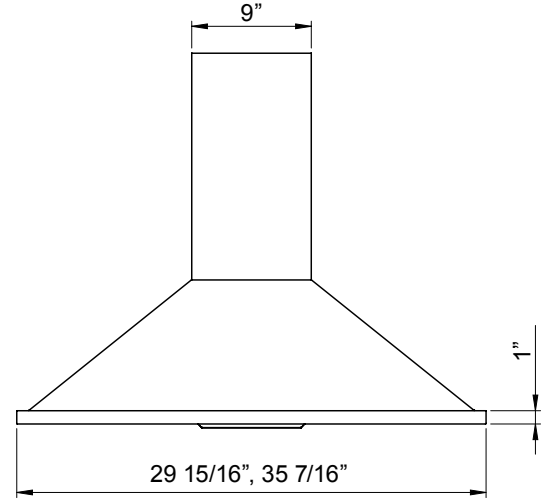
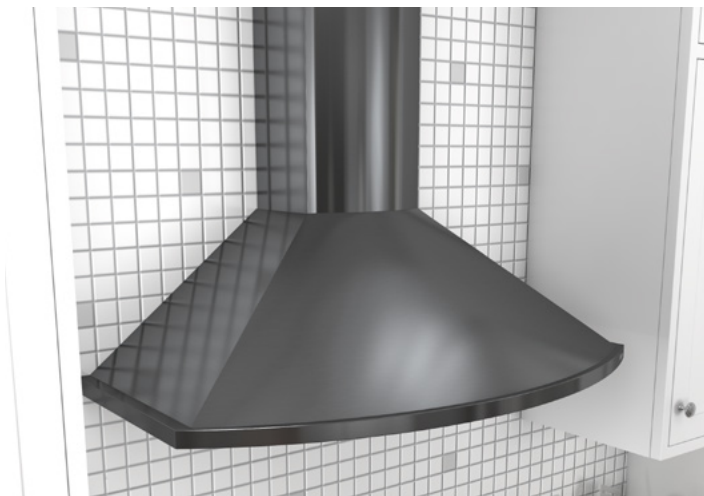
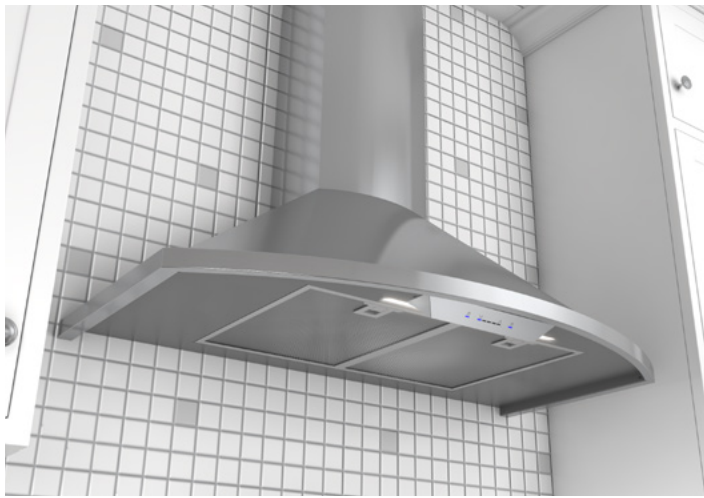
Savona's semi-circular surfaces accentuate this range hood's European design with delicate reflections of light and shadows. Available in stainless steel, powder-coated black and white and now with Zephyr's

trend-setting sleek new alternative to stainless steel, Black Stainless Steel. Savona features a robust 685-CFM blower, ICON Touch® controls with 5 speeds and our exclusive ACT™ technology.

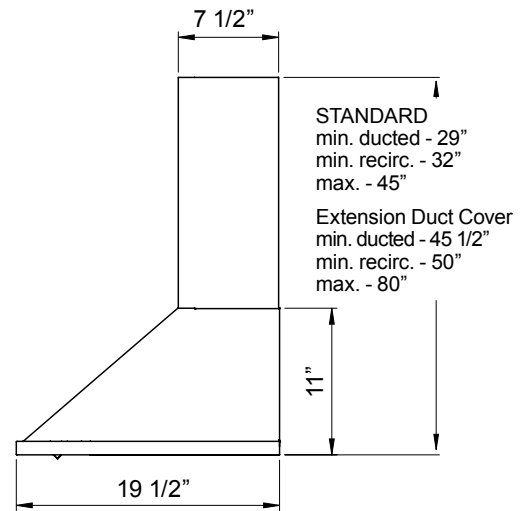
ACT™

Min. - Max. CFM	INTERNAL BLOWER STANDARD	INTERNAL BLOWER with ACT™ AIRFLOW CONTROL TECHNOLOGY™*	
	200 - 685	200 - 390	200 - 290
Min. - Max. Sones	1 - 6	1 - 4	1 - 3

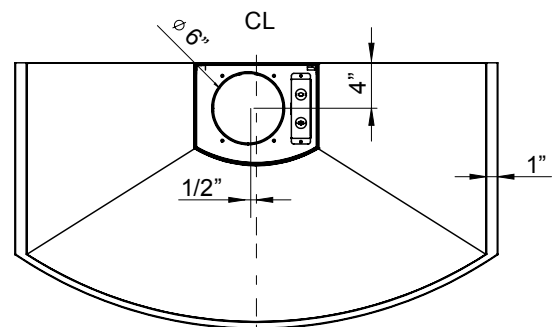
\*AIRFLOW CONTROL TECHNOLOGY™ (ACT™) is an exclusive feature built into specific Zephyr hoods which can limit the maximum blower CFM to meet local code requirements.



FRONT



SIDE



TOP

## MODEL

Black	ZSA-E30DB	ZSA-M90DB
Black Stainless Steel	ZSA-E30DBS	ZSA-M90DBS
Stainless Steel	ZSA-E30DS	ZSA-M90DS
White	ZSA-E30DW	ZSA-M90DW

Size	30"	36"
Blower CFM (Min. - Max.)	200 - 685	200 - 685
Sones (Min. - Max.)	1 - 6	1 - 6
ACT 390 CFM (Min. - Max.)	200 - 390	200 - 390
ACT 390 Sones (Min. - Max.)	1 - 4	1 - 4
290 CFM (Min. - Max.)	200 - 290	200 - 290
ACT 290 Sones (Min. - Max.)	1 - 3	1 - 3

## FEATURES

ACT™ Technology	Yes	Yes
Controls	ICON Touch®	ICON Touch®
Speed Levels	5*	5*
Auto Delay-Off	Yes	Yes
Lighting	BriteStrip™ LED, x1	BriteStrip™ LED, x1
Dual-Level Lighting	Yes	Yes
Filters	Aluminum Mesh x2	Aluminum Mesh x2
Recirculating Option	Yes	Yes
Extension Duct Cover Option	Yes, Up to 12' Ceiling	Yes, Up to 12' Ceiling

## DUCT SPECIFICATIONS

Vertical Internal Blower	6" Round	6" Round
Horizontal Internal Blower	NA	NA
AC POWER	120V, 60Hz at Max. 4A	120V, 60Hz at Max. 4A

## OPTIONAL ACCESSORIES

Recirculating Kit	ZRC-00SV	ZRC-00SV
Extension Duct Cover	Z1C-01SAB (Black) Z1C-01SABS (Black SS) Z1C-01SA (SS) Z1C-01SAW (White)	Z1C-01SAB (Black) Z1C-01SABS (Black SS) Z1C-01SA (SS) Z1C-01SAW (White)
Make-Up Air Kit	MUA008A	MUA008A
Baffle Filter Kit (2 filters)	ZOF-B001	ZOF-B001

MOUNTING HEIGHT RANGE**	26" - 34"	26" - 34"
-------------------------	-----------	-----------

WARRANTY	3 years parts, 1 year labor	3 years parts, 1 year labor
----------	-----------------------------	-----------------------------

CEILING HEIGHT		8'	8.5'	9'	9.5'	10'	10.5'	11'	12'
STANDARD DUCT COVER	Ducted Mounting Height**	26" - 32"	26" - 34"	27" - 34"	33" - 34"	NA	NA	NA	NA
	Recirc Mounting Height**	26" - 28"	26" - 34"	27" - 34"	33" - 34"	NA	NA	NA	NA
EXTENSION DUCT COVER	Ducted Mounting Height**	NA	NA	26" - 26.5"	26" - 32.5"	26" - 34"	26" - 34"	26" - 34"	28" - 34"
	Recirc Mounting Height**	NA	NA	NA	26" - 28"	26" - 34"	26" - 34"	26" - 34"	28" - 34"

\*When ACT™ is enabled the maximum speed levels will change. ACT 390 CFM = 4 speeds and ACT 290 CFM = 3 speeds.

\*\*Mounting height refers to distance between top of a 36" tall cooking surface and bottom of hood.

**ACT™** AIRFLOW CONTROL TECHNOLOGY™ (ACT™) is an exclusive feature built into specific Zephyr hoods which can limit the maximum blower CFM to meet local code requirements.

Specifications subject to change, check zephyronline.com for up-to-date information.  
Zephyr Ventilation | 2277 Harbor Bay Parkway, Alameda, CA 94502 | 888.880.VENT

NOV19.0101

