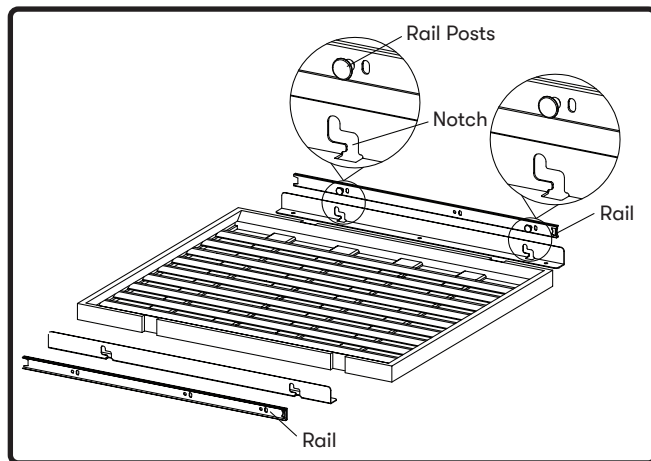
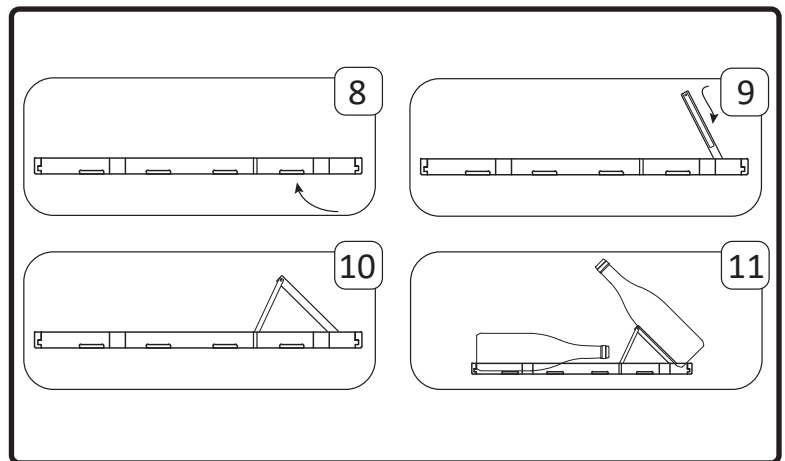


- ▶ To prevent damaging the door or door gasket, make sure the door is open at least 90-degrees when pulling shelves out of the rail compartment.
- ▶ The door opens to a maximum of 135 degrees with a door stop on the bottom hinge preventing the door from opening further.

Installing the Display Rack

Should you desire to set up the display rack for your appliance, please follow the instructions below:

**FIG. A****FIG. B**

NOTE: To set up the display rack, two shelves above the display rack need to be removed beforehand.

1. Open the door completely.
 2. Remove all of the contents loaded on the shelves, if applicable.
 3. Line up the shelf notches with the rail posts as indicated in FIG. A. This will require you to hold on to both rails as you move the shelf to line up the posts with the notches on both sides of the shelf.
 4. Evenly lift the shelf up and then pull the shelf out.
 5. Line up the display rack notches with the rail posts on both the right and left sides.
 6. Push the display rack down and then push it all the way inwards until the rack fully rests inside of the unit and you are able to close the door.
 7. The display rack should glide smoothly back and forth. If it does not, you may need to remove it and start over.
- TIP:** To prevent damaging the door gasket, make sure to open the door fully before pulling the display rack out of its track.
8. Push underneath the display rack to lift out the front section of the rack, FIG. B8.
 9. Push and line up the legs on both the left and right side of the display rack, FIG. B9.
 10. Mount the legs of the display rack onto the split section of the back rack to lock it in place and prevent the display rack from sliding back down, FIG. B10.
 11. Place back all the contents initially loaded on the shelf, if applicable, FIG. B11.